

Project Name:	Approval:
Location:	Date:
Engineer:	Construction:
Submitted to:	Unit #:
Submitted by:	Drawing #:
Reference:	

MODEL COMPATIBILITY:

Compatible with models: D4272C, DT4272C, DT4273C, DT4272, DT4273

SPECIFICATIONS:

Model	PSPAC-WS
Description	Indoor/Outdoor Remote Temperature Sensor with Override Button
Dimensions	1.38" x 1.75" x 0.62"
Measurement Range	-20°F to 120°F
Max. Wire Length	200 ft.

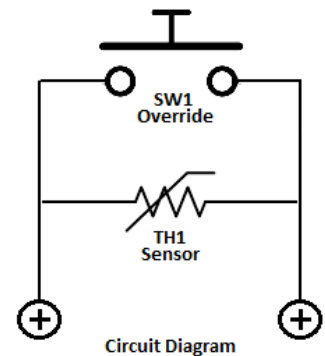
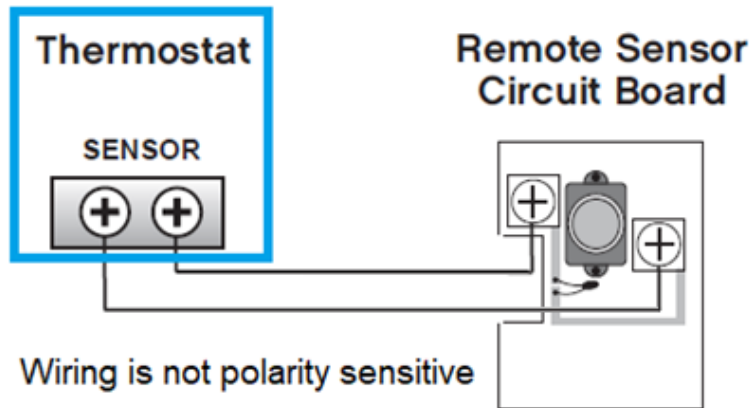
PRODUCT IMAGE:



FEATURES:

- Can be set to control, monitor, or average with the thermostat sensor
- Recommended wire type: 18-22 gauge, 2-conductor, unshielded. Solid or stranded.
- Includes an override button to put commercial thermostats into the occupied mode for 2 hours during an unoccupied period
- Maximum wire length is 200 feet

WIRING INSTRUCTION:



Daikin North America LLC, 19001 Kermier Rd, Waller TX, 77484
www.daikinac.com www.daikincity.com

(Daikin's products are subject to continuous improvements. Daikin reserves the right to modify product design, specifications and information in this data sheet without notice and without incurring any obligations)



Submittal Data Sheet

PSPAC-WS – Temperature Sensor w/ Override

Project Name:	_____	Approval:	_____
Location:	_____	Date:	_____
Engineer:	_____	Construction:	_____
Submitted to:	_____	Unit #:	_____
Submitted by:	_____	Drawing #:	_____
Reference:	_____		

DOCUMENTATION:

Documentation available on www.daikincity.com, www.daikinac.com and/or www.daikinthermostats.com:

- Submittal
- Installation Manual