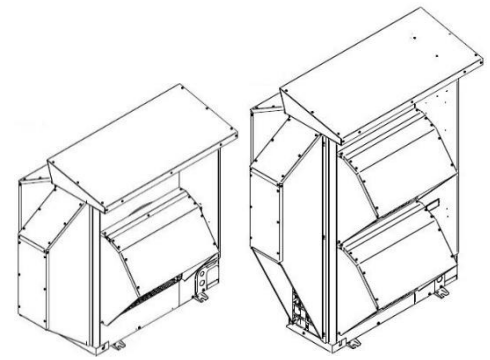




Submittal Data Sheet
Snow Hood and Snow Visor



DESCRIPTION

Snow hood & snow visor for SkyAir, VRV-IV S, and VRV LIFE outdoor units. Protects the condenser coil from snow build-up and wind chill in extreme climates.

Specifications						
Unit Names	Snow / Wind Hood Kits for Single Phase					
Material	20 Gauge G90 Galvanized Steel					
Paint	Sandstone Beige					
PART No.	CHASSIS SIZE	DESCRIPTION	Weight (lb.)	Length (in)	Width (in)	Height (in)
KPS00301	Single Fan	Front Hood	15	24.8	17.8	4.0
KPS00302	Single Fan	Side Hood	22	38.8	13.8	5.0
KPS00303	Single Fan	Rear Hood	63	38.8	22.8	5.0
KPS00401	Double Fan	Front Hood	56	23.8	18.8	7.0
KPS00402	Double Fan	Side Hood	22	52.8	13.8	5.0
KPS00403	Double Fan	Rear Hood	44	52.8	27.8	6.0
KPS00344	Single & Double Fan	Visor Hood	45	40.8	18.8	7.0
Kit Number	CHASSIS SIZE	DESCRIPTION				
VRVQA-SH-SF	Single Fan	Includes: KPS00301, KPS00302, KPS00303				
VRVQA-SH-DF	Double Fan	Includes: KPS00401, KPS00402, KPS00403				

Outdoor Unit Compatibility with Snow Hoods

Model Type	ODU	Chassis Type	KPS00301	KPS00302	KPS00303	KPS00401	KPS00402	KPS00403	KPS00344
Sky-Air Heat Pump	RZQ18TAVJU	Single Fan	●	●	●				●
	RZQ24TAVJU	Single Fan	●	●	●				●
	RZQ30TAVJU	Double Fan				●	●	●	●
	RZQ36TAVJU	Double Fan				●	●	●	●
	RZQ42TAVJU	Double Fan				●	●	●	●
	RZQ48TAVJU	Double Fan				●	●	●	●
Sky-Air Cooling only	RZR18TAVJU	Single Fan	●	●	●				●
	RZR24TAVJU	Single Fan	●	●	●				●
	RZR30TAVJU	Double Fan				●	●	●	●
	RZR36TAVJU	Double Fan				●	●	●	●
	RZR42TAVJU	Double Fan				●	●	●	●
	RZR48TAVJU	Double Fan				●	●	●	●
VRV-S	RXTQ36TAVJ9	Single Fan	●	●	●				●
	RXTQ48TAVJU	Single Fan	●	●	●				●
	RXTQ60TAVJU	Double Fan				●	●	●	●
VRV-Life	RXSQ24TAVJU	Single Fan	●	●	●				●
	RXSQ36TAVJU	Single Fan	●	●	●				●
	RXSQ48TAVJU	Single Fan	●	●	●				●
	RXSQ60TAVJU	Double Fan				●	●	●	●

Daikin North America LLC, 5151 San Felipe, Suite 500, Houston TX, 77056
www.daikinac.com www.daikincomfort.com

(Daikin's products are subject to continuous improvements. Daikin reserves the right to modify product design, specifications and information in this data sheet without notice and without incurring any obligations).