

# CC-2W Series

# CLEAN COMFORT® INDOOR AIR ESSENTIALS

## Description

Clean Comfort dampers are galvanized steel, and extruded aluminum construction complete with a 2-wire, 24 volts, power-close, spring open, and are the recommended dampers for use with our CC zone panels. These dampers are shipped complete ready for installation and can be installed in any position.

## Standard Features

- Compatible with most zone control panels
- 24 volt synchronous motor
- Quiet operation
- Simple adjustment for setting the minimum position

## TWO-POSITION, 2-WIRE DAMPERS

MODELS: CC-2W-XX  
CC-2W-XXXX



## Specifications:

<b>Construction</b>	Round: 24-gauge steel shell Rectangular: extruded aluminum
<b>Damper Actuator Type</b>	24VAC, 10VA, two-wire power close/spring open

**5 YEAR  
DAMPER  
LIMITED  
WARRANTY\***

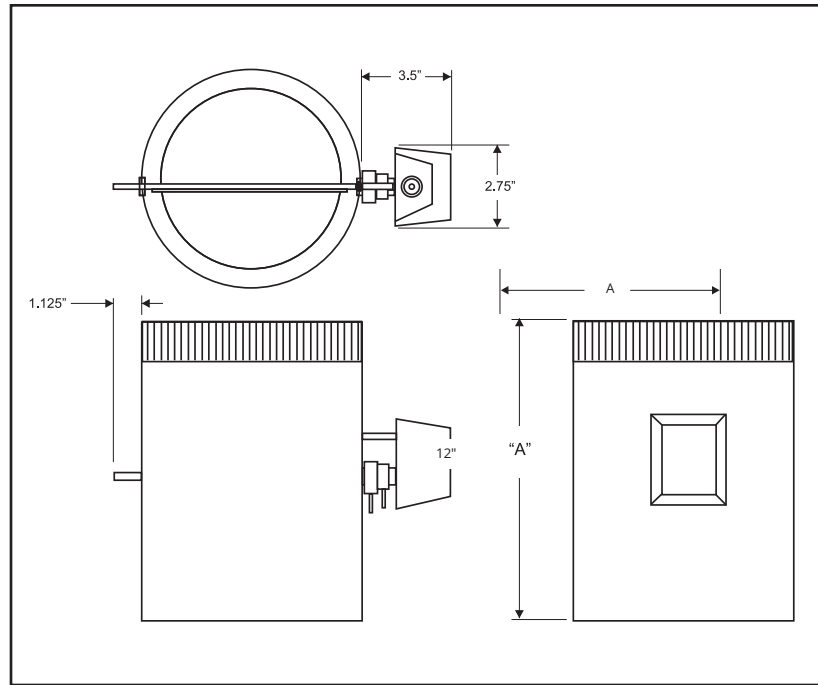
\*Complete warranty details available from your local dealer or at [www.cleancomfort.com/warranty](http://www.cleancomfort.com/warranty).

# CC-2W Series

# CLEAN COMFORT® INDOOR AIR ESSENTIALS

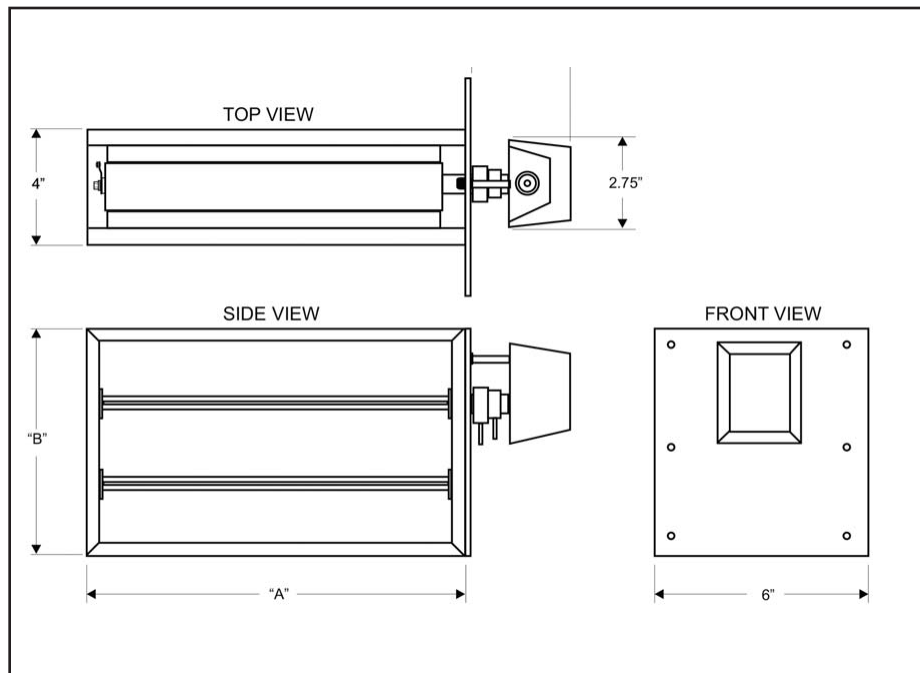
## DIMENSIONS

Model	"A"
CC-	04 to 20



## DIMENSIONS

Model	"A"	"B"
CC-	06 to 24	06 to 20
All rectangular dampers are special order, quick turnaround.		



Goodman Manufacturing Company, L.P., reserves the right to discontinue, or change at any time, specifications or designs without notice or without incurring obligations. ©2020 Goodman Manufacturing Company, L.P. • Houston, Texas • Printed in the USA. .