

CC-3W Series

CLEAN COMFORT® INDOOR AIR ESSENTIALS

Description

Clean Comfort dampers are galvanized steel and extruded aluminum construction complete with a 3-wire, 24 volt, power-close, power-open actuator and are the recommended dampers for use with our CC-ESP zone panels. These dampers are shipped complete ready for installation and can be installed in any position. Both round and rectangular dampers are rated for duct systems less than 1.0" WC and include a simple adjustment mechanism for setting the minimum static pressure position.

Standard Features

- Two-position 24V motor; power-close/power-open, 3-wire
- Quiet operation
- Simple adjustment for setting the minimum position
- 60 second timing
- Belimo FP18 motor
- Round, even-sized dampers stocked, rectangular special order with quick turn around

TWO-POSITION, 3-WIRE DAMPERS

MODELS: CC-3W-XX
CC-3W-XXXX



Specifications:

Construction	Round: 24-gauge steel shell Rectangular: extruded aluminum
Damper Actuator Type	24VAC, 2.5VA, three-wire power open/power close
Timing	60 Seconds

**5 YEAR
DAMPER
LIMITED
WARRANTY***

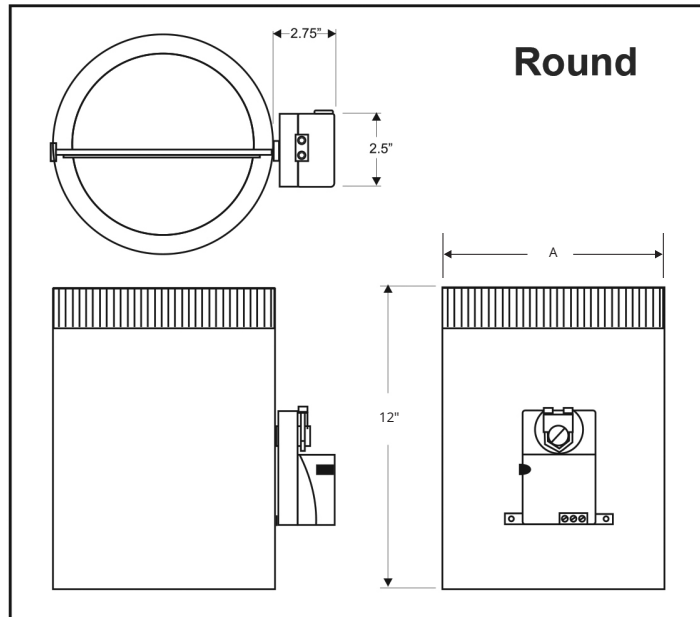
*Complete warranty details available from your local dealer or at www.cleancomfort.com/warranty.

CC Series

CLEAN COMFORT[®] INDOOR AIR ESSENTIALS

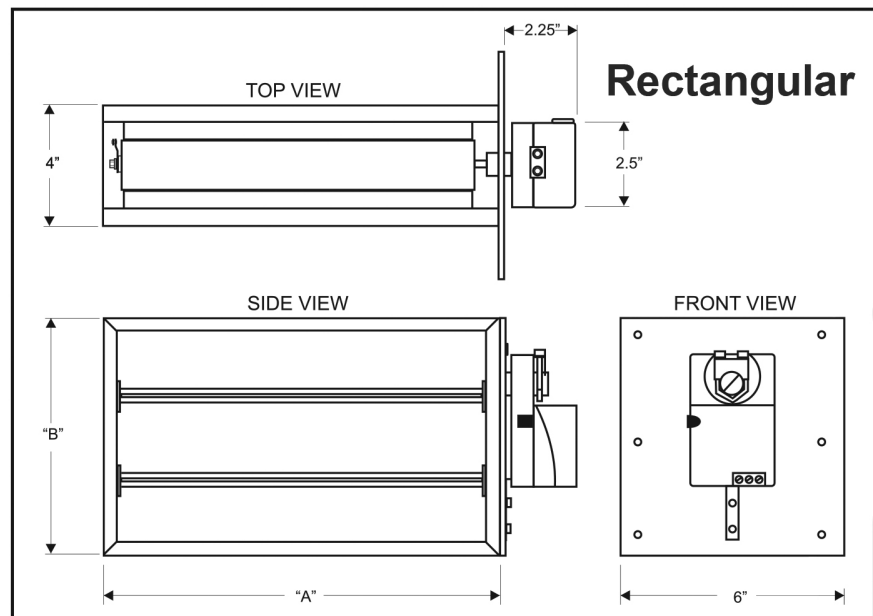
DIMENSIONS

Model	"A"
CC-	04 to 20



DIMENSIONS

Model	"A"	"B"
CC-	06 to 24	06 to 20
All rectangular dampers are special order, quick turnaround.		



Goodman Manufacturing Company, L.P., reserves the right to discontinue, or change at any time, specifications or designs without notice or without incurring obligations. ©2020 Goodman Manufacturing Company, L.P. • Houston, Texas • Printed in the USA. .