

MULTI-POSITION, VARIABLE-SPEED ECM-BASED, MODULAR BLOWER COMMUNICATING



■ Contents

Air Handler Nomenclature	2
Heater Kit Nomenclature	2
Product Specifications	3
Airflow Data	4
Heat Kit Data	5
Dimensions	6
Wiring Diagram.....	8
Accessories	11

R32

■ Product Features

- Variable-speed ECM blower motor
- Compatible with Daikin *One+* smart thermostat and other Daikin communicating equipment
- Advanced configuration of the airflow and tonnage in communicating mode
- Provides constant CFM over a wide range of static pressure conditions independent of duct system
- CFM indicator
- Fault recall of six most recent faults
- Provides adjustable low CFM for efficient fan-only operation
- Integrated communicating ComfortNet Technology
- Engineered for compatibility with all Daikin *FIT* families (Up to 19 SEER2)
- Built-in dehumidification feature
- Blower section usable as an electric feature
- Control board includes a blower time-delay in the cooling mode
- Compatible with R-410A and R-32 Refrigerant
- For R-32 compatibility utilize the integration kit
- UL 60335 2-40 Compliant
- AHRI certified; ETL listed

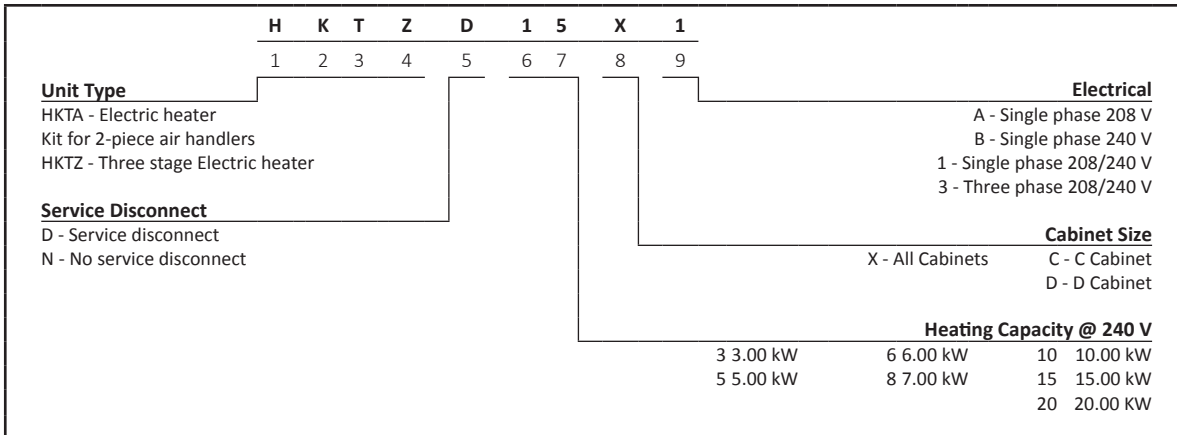
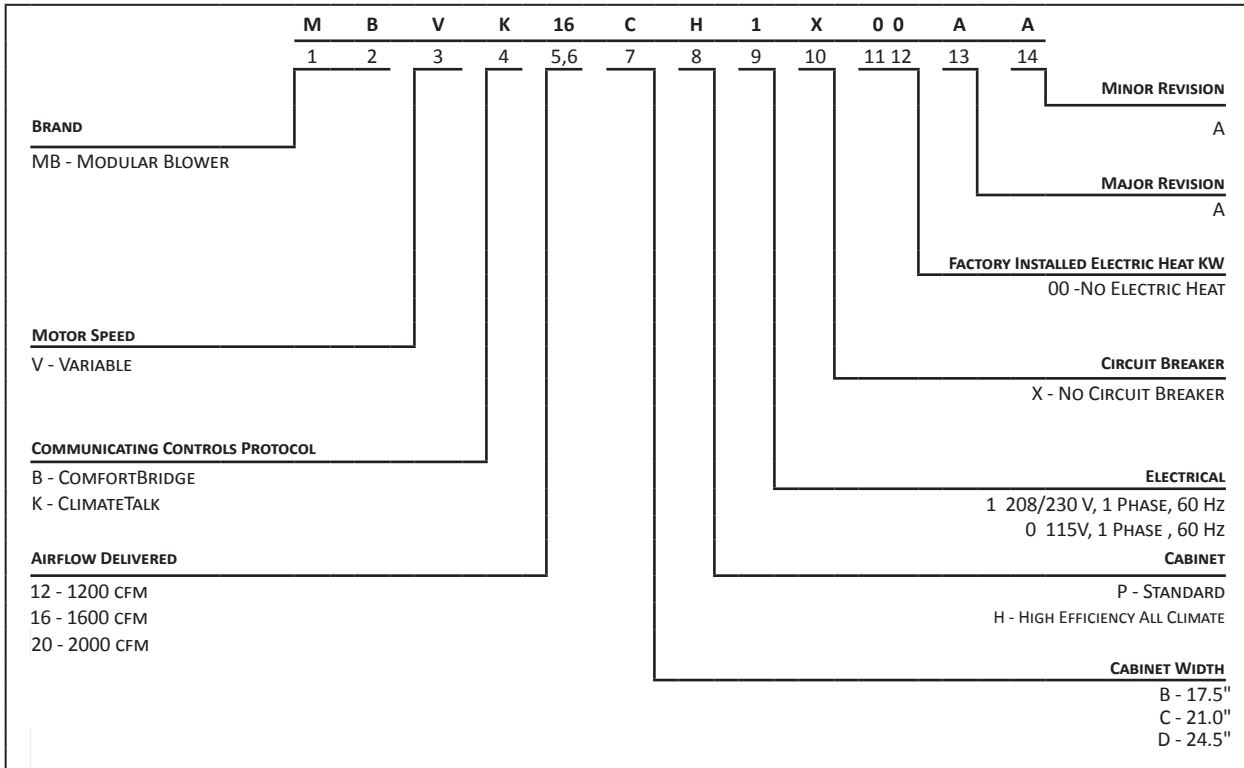
■ Cabinet Features

- Horizontal or vertical configuration capabilities
- 21" depth for easier attic access
- Foil-faced insulation covers the internal casing to reduce cabinet condensation
- Galvanized, leather grain-embossed finish
- Cabinet air leakage less than 2% at 1.0 inch H₂O when tested in accordance with ASHRE standard 193
- Cabinet air leakage less than 1.4% at 0.5 inch H₂O when tested in accordance with ASHRE standard 193
- Field installed 3 stage electric heater kits (19 SEER2 models only)
- Field installed 3kW - 20kW electric heater kits available (230V models only)



* Complete warranty details available from your local dealer or at www.daikincomfort.com. To receive the 12-Year Parts Limited Warranty, online registration must be completed within 60 days of installation. Additional requirements for annual maintenance are required for the Unit Replacement Limited Warranty. Online registration and some of the additional requirements are not required in Florida, California, or Québec. The duration of warranty coverage in Texas and Florida differs in some cases. Other limitations and exclusions apply; refer to complete warranty details for a full list of limitations and exclusions.

NOMENCLATURE



MODEL	MBVK 12BP1X00	MBVK 16CP1X00	MBVK 20DP1X00	MBVK 16CH1X00	MBVK 12BP0X00	MBVK 16CP0X00	MBVK 20DP0X00	MBVK 16CH0X00
BLOWER								
Diameter	10"	10"	11"	11.9"	10"	10"	11"	11.9"
Width	8"	8"	10"	10.7"	8"	8"	10"	10.7"
ELECTRICAL DATA								
Voltage (V)	208/230	208/230	208/230	208/230	115	115	115	115
MCA (A)	4.9	6.5	6.5	6.5	7.1	10.4	10.4	10.4
MOP (A)	15			15	15	15	15	15
Blower Motor Power (HP)	½	¾	¾	¾	½	¾	¾	¾
Cabinet Dimensions								
Width	17½"	21"	24½"	21"	17½"	21"	24½"	21"
Depth	21"	21"	21"	21"	21"	21"	21"	21"
Height	26"	30"	30"	30"	26"	30"	30"	30"
SHIP WEIGHT (LBS.)	67	80	86	72	67	80	86	72

- Minimum Circuit Ampacity and Maximum Overcurrent Protection Device (MOD) for blower without supplemental heat installed. Refer to unit nameplate for these specifications with approved accessory heaters installed.
- Condensate management kits are available for units installed in high temperature and high humidity areas. Kit number MBK0002 has been developed to resolve condensate issues in the field and is available from the Service Parts Department. Refer to IO-849 for installation instructions.

MODEL	SPEED TAP	SPEED	0.1	0.2	0.3	0.4	0.5	0.6	0.7	0.8	0.9
MBVK12BP1X00 MBVK12BP0X00	A	Low	420	415	400	400	395	390	390	390	380
	B	Low	550	545	540	540	535	530	530	525	520
	C	Low	680	675	670	665	660	655	655	650	640
	D	Low	810	805	800	800	800	795	790	785	785
	A	High	615	605	600	600	595	590	590	585	580
	B	High	805	805	800	800	800	795	790	785	780
	C	High	1010	1005	1000	1000	995	995	990	985	975
	D	High	1210	1205	1200	1200	1200	1195	1195	1190	1180
MBVK16CP1X00 MBVK16CP0X00	A	Low	690	680	670	665	660	655	625	595	575
	B	Low	850	830	800	795	790	785	775	750	725
	C	Low	980	970	940	935	930	910	890	865	860
	D	Low	1110	1085	1070	1055	1045	1025	1000	990	975
	A	High	1045	1015	1000	990	975	950	935	920	900
	B	High	1245	1215	1200	1180	1175	1165	1150	1130	1115
	C	High	1415	1410	1400	1365	1360	1350	1340	1330	1320
	D	High	1605	1600	1600	1540	1530	1520	1510	1500	1490
MBVK20DP1X00 MBVK20DP0X00	A	Low	835	815	800	800	795	795	790	775	750
	B	Low	1075	1070	1070	1065	1050	1045	1045	1040	1035
	C	Low	1210	1205	1200	1200	1195	1190	1190	1185	1175
	D	Low	1345	1340	1340	1320	1320	1315	1315	1305	1305
	A	High	1210	1205	1200	1195	1150	1150	1145	1135	1115
	B	High	1610	1605	1600	1540	1535	1535	1530	1520	1510
	C	High	1830	1805	1800	1785	1760	1760	1755	1750	1715
	D	High	2020	2010	2000	1995	1995	1970	1970	1965	1955

MODEL	OD UNIT	0.1	0.2	0.3	0.4	0.5	0.6	0.7	0.8	0.9
MBVK16CH1X00 MBVK16CH0X00	2T	900	900	900	900	900	900	900	900	900
	3T	1450	1450	1450	1450	1450	1450	1450	1450	1450
	5T	1640	1640	1640	1640	1640	1640	1640	1640	1640

*The chart is for information only. For satisfactory operation, external static pressure must not exceed 0.9 wc.

*Unit may provide different SCFM during electrical heater operation. See IO manual for the airflow rate.

*CFM values are based on 0% trim. Refer to outdoor spec sheet for higher/lower trim values

COOLING AND HEATING AIRFLOW (MBVK12BP1X00, MBVK16CP1X00, MBVK20DP1X00, MBVK12BP0X00, MBVK16CP0X00 AND MBVK20DP0X00)

S1	S2	SPEED TAP	MBVK12BP1X00 AIRFLOW (SCFM)	MBVK16CP1X00 AIRFLOW (SCFM)	MBVK20DP1X00 AIRFLOW (SCFM)
off	off	A	600	1000	1200
on	off	B	800	1200	1600
off	on	C	1000	1400	1800
on	on	D	1200	1600	2000

COOLING / HP / AUX TRIM			COOLING PROFILE		
S3	S4	Trim Value	S5	S6	Speed Tap
off	off	0	off	off	A
on	off	10%	on	off	B
off	on	-10%	off	on	C
on	on	0	on	on	D

HEATER KIT AIRFLOW (MBVK12BP1X00, MBVK16CP1X00, MBVK20DP1X00, MBVK12BP0X00, MBVK16CP0X00 AND MBVK20DP0X00)

S9	S10	S11	HEATER KW	MBVK12BP1X00 AIRFLOW (SCFM)	MBVK16CP1X00 AIRFLOW (SCFM)	MBVK20DP1X00 AIRFLOW (SCFM)	MBVK12BP0X00 AIRFLOW (SCFM)	MBVK16CP0X00 AIRFLOW (SCFM)	MBVK20DP0X00 AIRFLOW (SCFM)
off	off	on	20	NA	NA	2000	NA	NA	NA
off	on	off	15	1400	1500	1500	NA	NA	NA
off	on	on	10	1000	1000	1200	NA	NA	NA
on	off	off	8	740	1000	1000	NA	NA	NA
on	off	on	6	635	800	800	NA	NA	NA
on	on	off	5	600	800	800	NA	NA	NA
on	on	on	3	600	800	800	NA	NA	NA

MODELS	CIRCUIT 1 (208V/240V)			CIRCUIT 2 (208V/240V)			SINGLE-POINT KIT (208V/240V)	
	HEATER AMPS	MCA ¹	MOP ²	HEATER AMPS	MCA ¹	MOP ²	MCA ¹	MOP ²
MBVK12BP1X00	0/0	4.9/4.9	15/15	---	---	---	---	---
HKTAN031	10.8/12.5	18.4/20.5	20/25	---	---	---	---	---
HKTA*051	18.1/20.8	27.4/30.9	30/35	---	---	---	---	---
HKTAN061	21.7/25.0	32.0/36.1	35/40	---	---	---	---	---
HKTA*081	25.3/29.2	36.5/41.3	40/45	---	---	---	---	---
HKTA*101	36.1/41.7	50.0/57.0	50/60	---	---	---	---	---
HKTAD151	36.1/41.7	50.0/57.0	50/60	18/20.8	22.5/26.0	25/30	72.6/83.0	80/90
MBVK16CP1X00	0/0	6.5/6.5	15/15	---	---	---	---	---
HKTAN031	10.8/12.5	20.0/22.1	20/25	---	---	---	---	---
HKTA*051	18.1/20.8	29.1/32.5	30/35	---	---	---	---	---
HKTAN061	21.7/25.0	33.6/37.8	35/40	---	---	---	---	---
HKTA*081	25.3/29.2	38.1/43.0	40/45	---	---	---	---	---
HKTA*101	36.1/41.7	51.6/58.6	60/60	---	---	---	---	---
HKTAD151	36.1/41.7	51.6/58.6	60/60	18/20.8	22.5/26.0	25/30	74.2/84.6	80/90
MBVK20DP1X00	0/0	6.5/6.5	15/15	---	---	---	---	---
HKTAN031	10.8/12.5	20.0/22.1	20/25	---	---	---	---	---
HKTA*051	18.1/20.8	29.1/32.5	30/35	---	---	---	---	---
HKTAN061	21.7/25.0	33.6/37.8	35/40	---	---	---	---	---
HKTA*081	25.3/29.2	38.1/43.0	40/45	---	---	---	---	---
HKTA*101	36.1/41.7	51.6/58.6	60/60	---	---	---	---	---
HKTAD151	36.1/41.7	51.6/58.6	60/60	18/20.8	22.5/26.0	25/30	74.2/84.6	80/90
HKTAD201	36.1/41.7	51.6/58.6	60/60	36.1/41.7	45.2/52.1	50/60	96.8/111	100/125
MBVK16CH1X00	0/0	6.5/6.5	15/15	---	---	---	---	---
HKTSN03X1	10.8/12.5	20.0/22.1	20/20	---	---	---	---	---
HKTSN05X1	17.3/20.0	28.2/31.5	30/35	---	---	---	---	---
HKTZD15X1	17.3/20.0	28.2/31.5	30/35	34.7/40.0	43.3/50.0	45/50	71.5/81.5	80/90
MBVK12BP0X00	0/0	7.1	15	---	---	---	---	---
MBVK16CP0X00	0/0	10.4	15	---	---	---	---	---
MBVK20DP0X00	0/0	10.4	15	---	---	---	---	---
MBVK16CH0X00	0/0	10.4	15	---	---	---	---	---

All ampacities noted above include air handler motor amps

Circuit 1: Single-phase for Air Handlers / Circuit 2: Three-phase for HKR3 Heater Kits

¹ Minimum Circuit Ampacity (Heater Amps + Motor Amps) X 1.25

² Maximum Overcurrent Protection = 2.25 X Motor Amps + Heater Amps

* D - Service disconnect, N - No service disconnect

--- indicates Not Required

HEATING KW CORRECTION FACTOR

(MBVK12BP1X00, MBVK16CP1X00, MBVK20DP1X00)

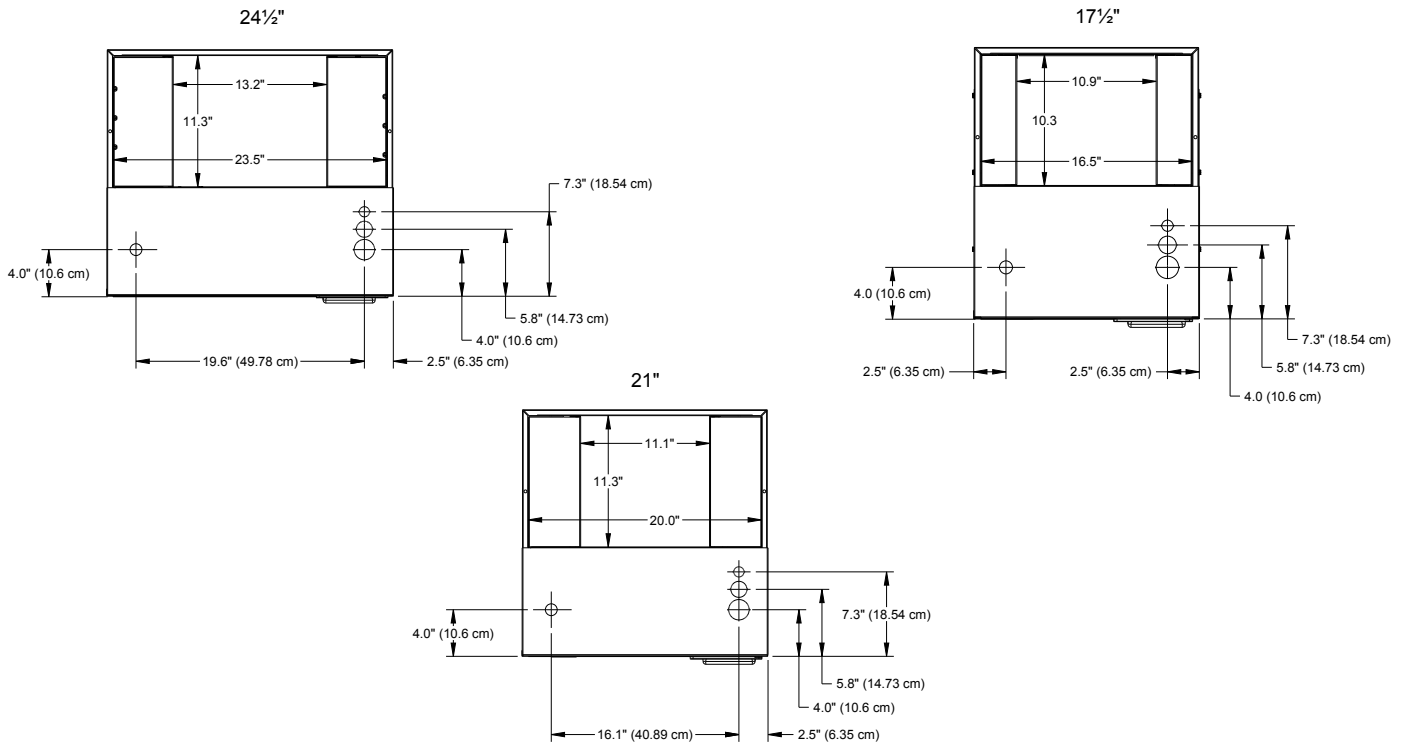
SUPPLY VOLTAGE	240	230	220	210	208
CORRECTION FACTOR	1.00	0.92	0.84	0.77	0.75

Multiply the 240-volt heating capacity by correction factors.

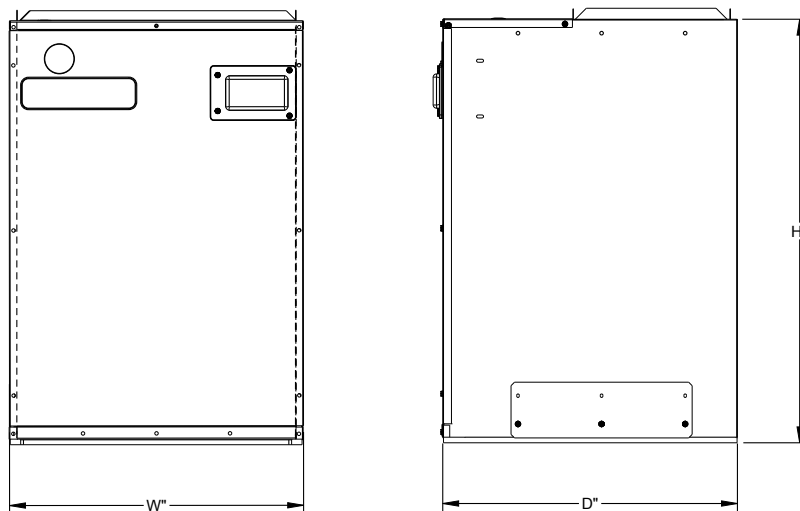
DIMENSIONS

MODEL	DIMENSIONS		
	WIDTH	DEPTH	HEIGHT
MBVK12BP1X00 MBVK12BPOX00	17½"	21"	26"
MBVK16CP1X00 MBVK16CPOX00	21"	21"	30"
MBVK20DP1X00 MBVK20DPOX00	24½"	21"	30"
MBVK16CH1X00 MBVK16CHOX00	21"	21"	30"

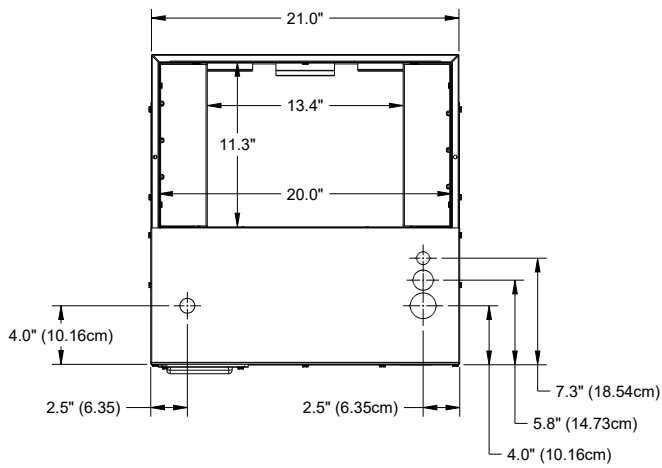
TOP VIEWS: MBVK12BP1X00, MBVK16CP1X00, MBVK20DP1X00, MBVK12BPOX00, MBVK16CPOX00 AND MBVK20DPOX00



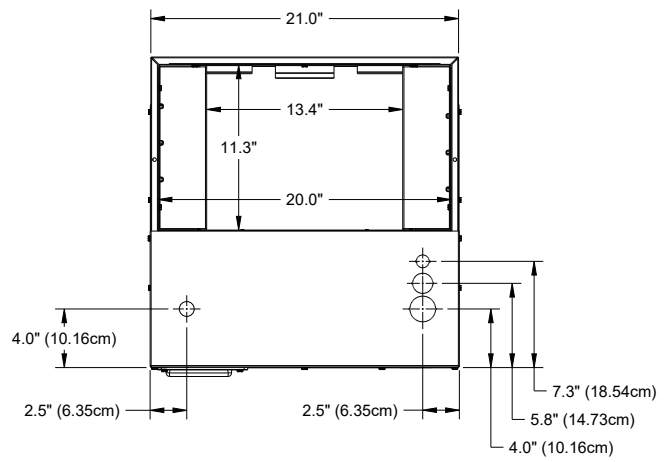
FRONT AND SIDE VIEWS: MBVK12BP1X00, MBVK16CP1X00, MBVK20DP1X00, MBVK12BPOX00, MBVK16CPOX00 AND MBVK20DPOX00



TOP VIEWS

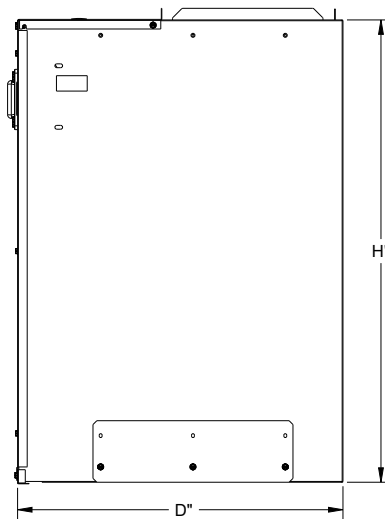
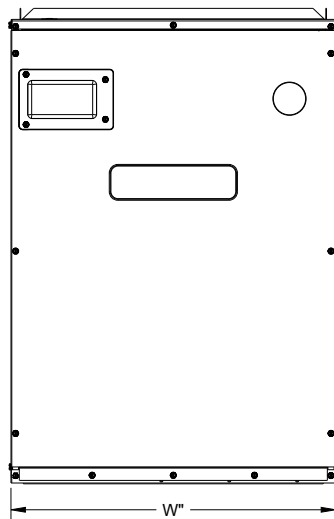


MBVK16CH0X00

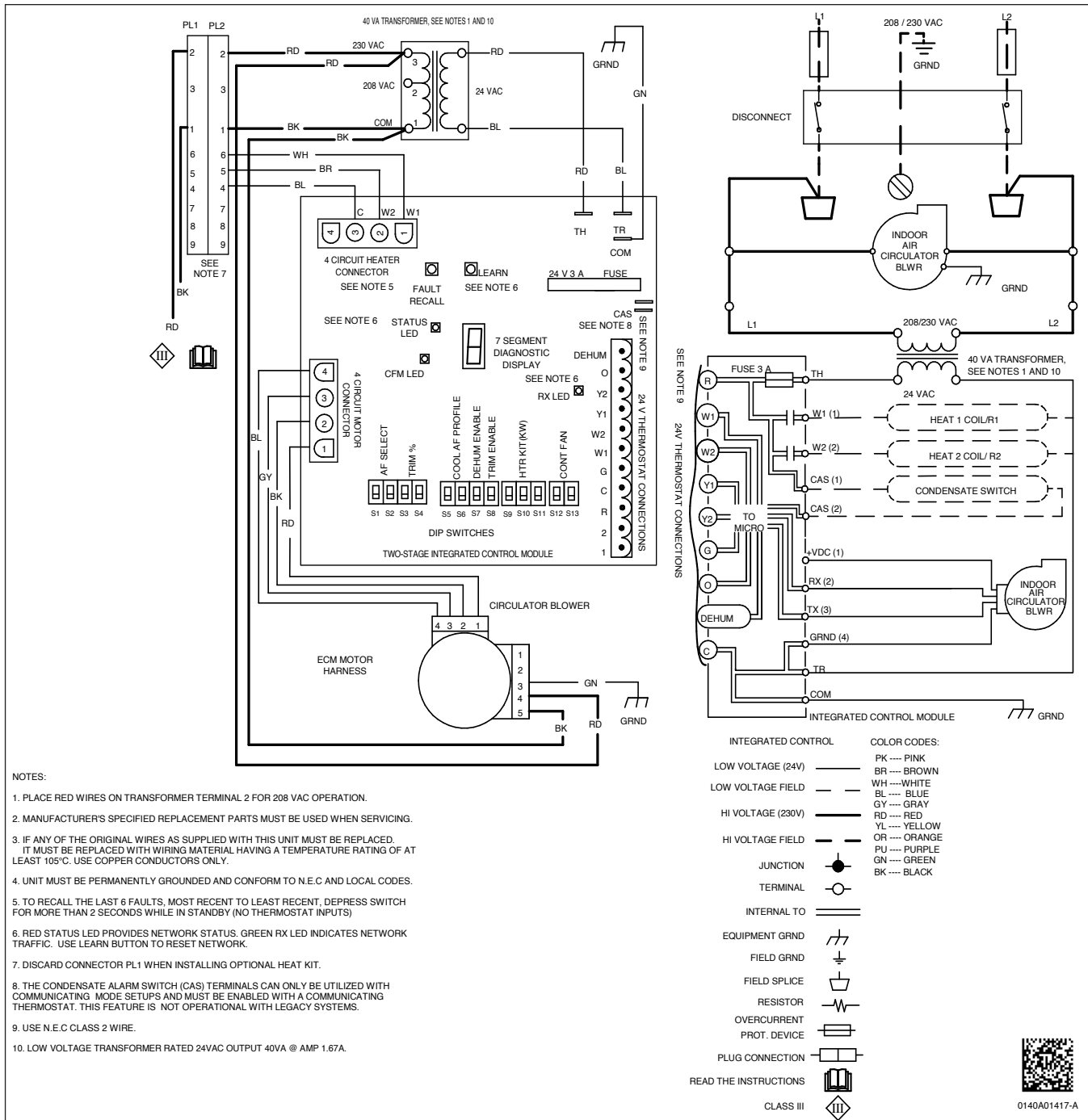


MBVK16CH1X00

FRONT AND SIDE VIEWS

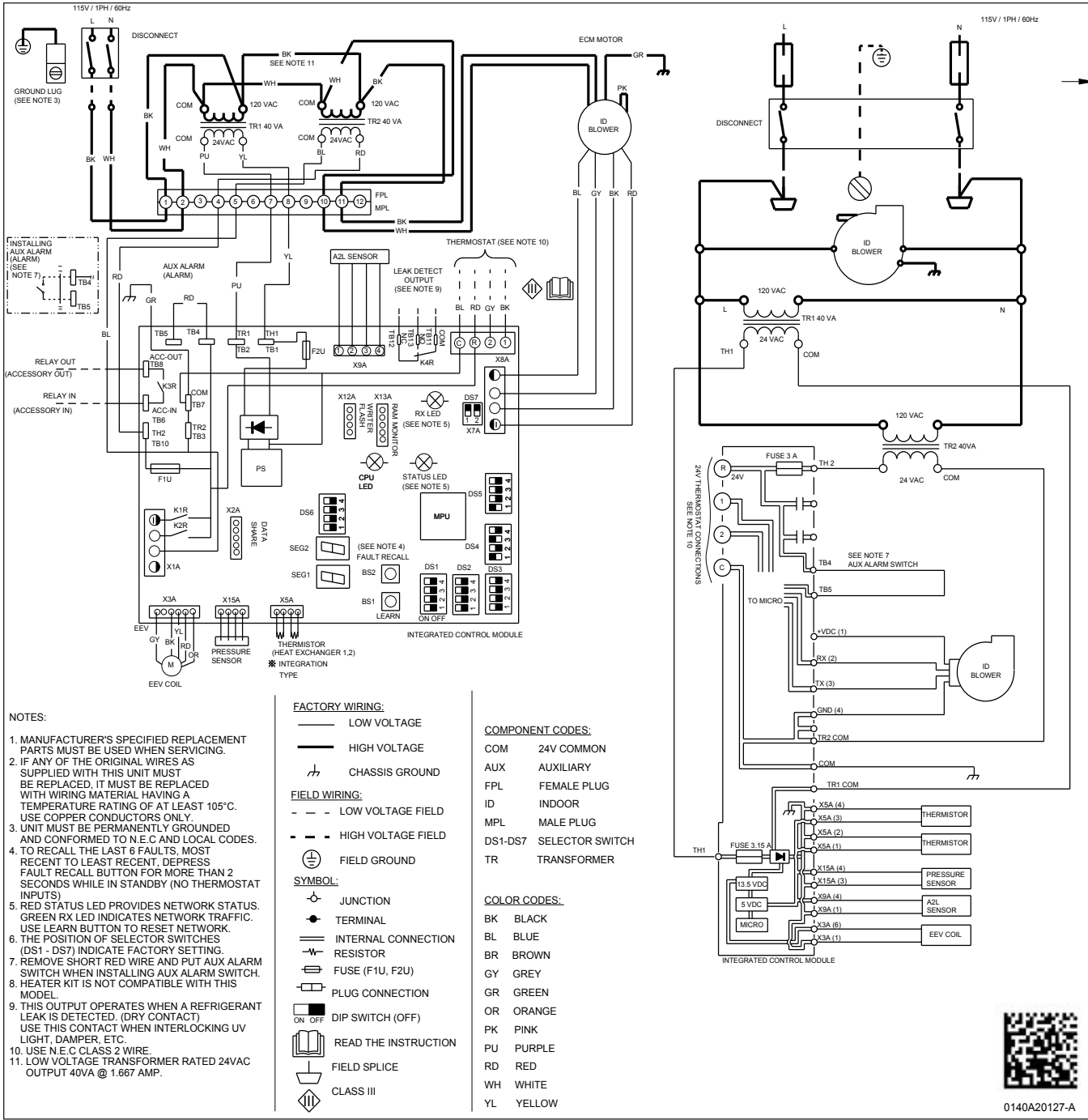


WIRING DIAGRAM – MBVK12BP1X00, MBVK16CP1X00 AND MBVK20DP1X00



⚠ WARNING **High Voltage:** Disconnect all power before servicing or installing this unit. Multiple power sources may be present. Failure to do so may cause property damage, personal injury, or death. ⚡

Wiring is subject to change. Always refer to the wiring diagram on the unit for the most up-to-date wiring.



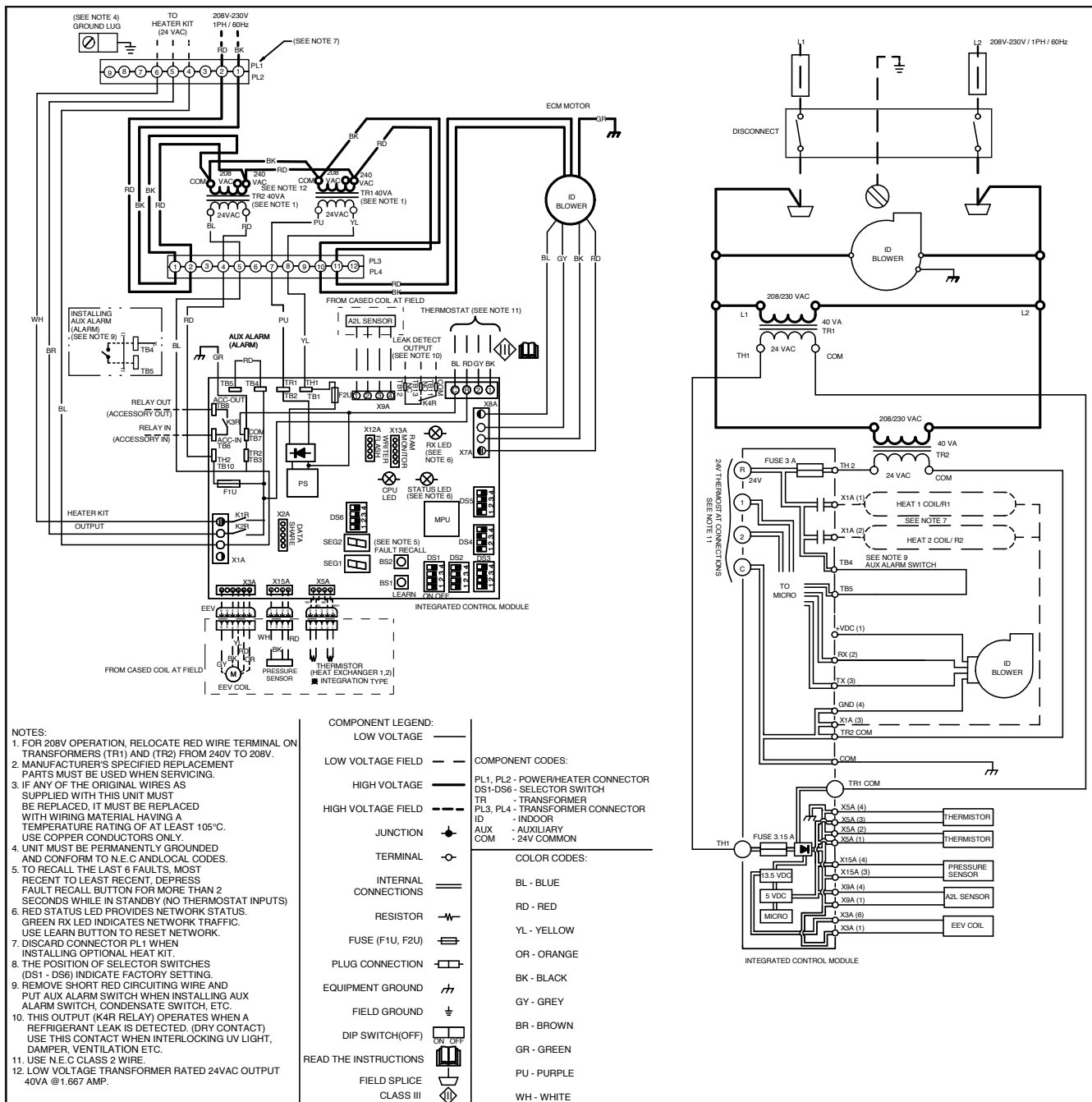
WARNING *High Voltage:* Disconnect all power before servicing or installing this unit. Multiple power sources may be present. Failure to do so may cause property damage, personal injury, or death.

Wiring is subject to change. Always refer to the wiring diagram on the unit for the most up-to-date wiring.



0140A20127-A

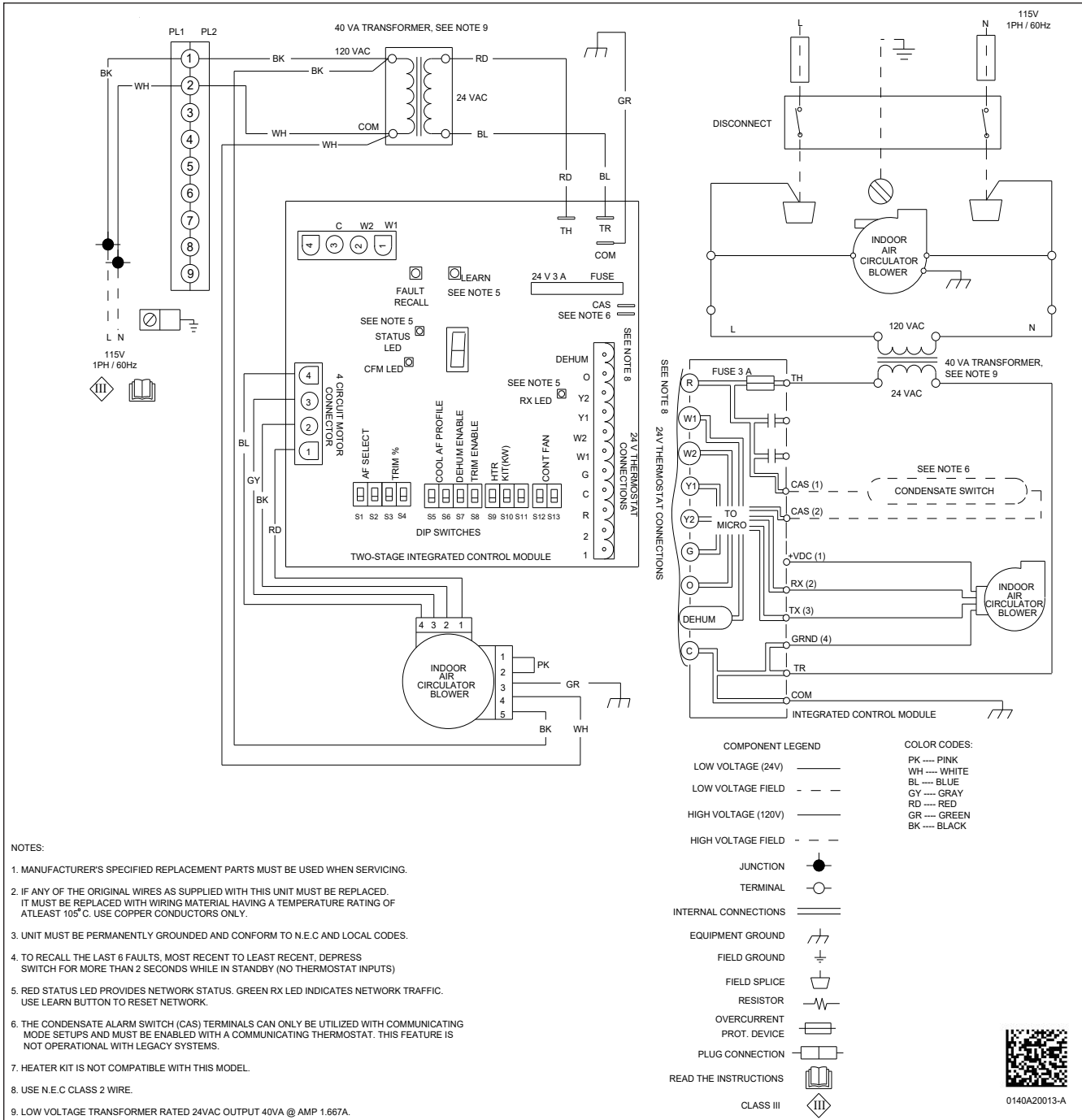
WIRING DIAGRAM - MBVK16CH1X00



WARNING High Voltage: Disconnect all power before servicing or installing this unit. Multiple power sources may be present. Failure to do so may cause property damage, personal injury, or death.

Wiring is subject to change. Always refer to the wiring diagram on the unit for the most up-to-date wiring.

WIRING DIAGRAM - MBVK12BPOX00, MBVK16CPOX00 AND MBVK20DPOX00



⚠

WARNING *High Voltage:* Disconnect all power before servicing or installing this unit. Multiple power sources may be present. Failure to do so may cause property damage, personal injury, or death.

⚡

Wiring is subject to change. Always refer to the wiring diagram on the unit for the most up-to-date wiring.

SINGLE POINT KIT

	HKTAD151	HKTAD201	MBVK16CH1X00
SPW-01	X	X	X

Can only be installed along with the above heat kits. This kit will fit any MBVK blower as long as a compatible heat kit is installed in the unit.

MBVK BLOWER PERFORMANCE DATA (MBVK12BP1X00, MBVK16CP1X00, MBVK20DP1X00, MBVK12BP0X00, MBVK16CP0X00 AND MBVK20DP0X00)

Dipswitch Number	Function	Default Setting
S1 - S2*	Cooling / HP Airflow A/B/C/D	Airflow D
S3 - S4*	Cooling / HP / Aux Trim (-10%, 0, +10%)	No Trim
S5 - S6*	Cooling Profile A,B,C,D	Profile 1
S7*	Dehum (on/off)	Off
S8	Unused	On
S9 - S11	Heater Kit Kw	Off/Off/Off

* Valid only if the system is wired in legacy mode. If system is wired in the 4-wire communicating mode, these functions are selected via the user menu in the CTK01AA T-STAT.

HEAT KIT SELECTION

MODEL	MBVK12BP1X00	MBVK16CP1X00	MBVK20DP1X00	MBVK16CH1X00	MBVK12BP0X00	MBVK16CP0X00	MBVK20DP0X00	MBVK16CH0X00
HKTAN031	X	X	X	---	---	---	---	---
HKTAN051	X	X	X	---	---	---	---	---
HKTAD051	X	X	X	---	---	---	---	---
HKTAN061	X	X	X	---	---	---	---	---
HKTAN081	X	X	X	---	---	---	---	---
HKTAD081	X	X	X	---	---	---	---	---
HKTAN101	X	X	X	---	---	---	---	---
HKTAD101	X	X	X	---	---	---	---	---
HKTAD151	X	X	X	---	---	---	---	---
HKTAD201	---	---	X	---	---	---	---	---
HKTSN03X1	---	---	---	X	---	---	---	---
HKTSN05X1	---	---	---	X	---	---	---	---
HKTZD15X1	---	---	---	X	---	---	---	---

Refer to the minimum airflow requirements for each of the heat kits.

--- Indicates Not Permitted

MINIMUM CFM REQUIRED FOR HEATER KITS

	Heater (kW)		
	3	5	15
MBVK16CH1X00	851	851	1219
MBVK16CH0X00	-	-	-

+ Limitations with Outdoor unit match-ups:

Function	Switch Bank DS3					Model
	Dip switch Setting	Switch 9	Switch 10	Switch 11	Switch 12	MBVK16CH1X00
Heater Kit Selection	NO Heater Kit	OFF*	OFF*	OFF*	OFF*	-
	First Valid Heater Kit	ON	ON	ON	ON	3
	Second Valid Heater kit	ON	ON	ON	OFF	5
	Third Valid Heater Kit	ON	ON	OFF	ON	15
	Fourth Valid Heater kit	ON	ON	OFF	OFF	NR
	Fifth Valid Heater Kit	ON	OFF	ON	ON	NR
	Sixth Valid Heater kit	ON	OFF	ON	OFF	NR
	Seventh Valid Heater Kit	ON	OFF	OFF	ON	NR