

*HIGH-EFFICIENCY
SPLIT SYSTEM AIR CONDITIONER
UP TO 17 SEER2
1½ To 5 TONS*



Contents

Nomenclature..... 2
 Product Specifications..... 3
 Expanded Cooling Data 4
 Performance Data 18
 Dimensions 19
 Wiring Diagrams 20
 Accessories 22

Standard Features

- High-efficiency scroll compressor
- Factory-installed filter drier
- Fully charged for 15' of tubing length
- Copper tube/enhanced aluminum fin coil-5mm diameter on 1.5-3.0T
- Service valves with sweat connections and easy-to-access gauge ports
- Contactor with lug connection
- Ground lug connection
- AHRI Certified
- ETL Listed

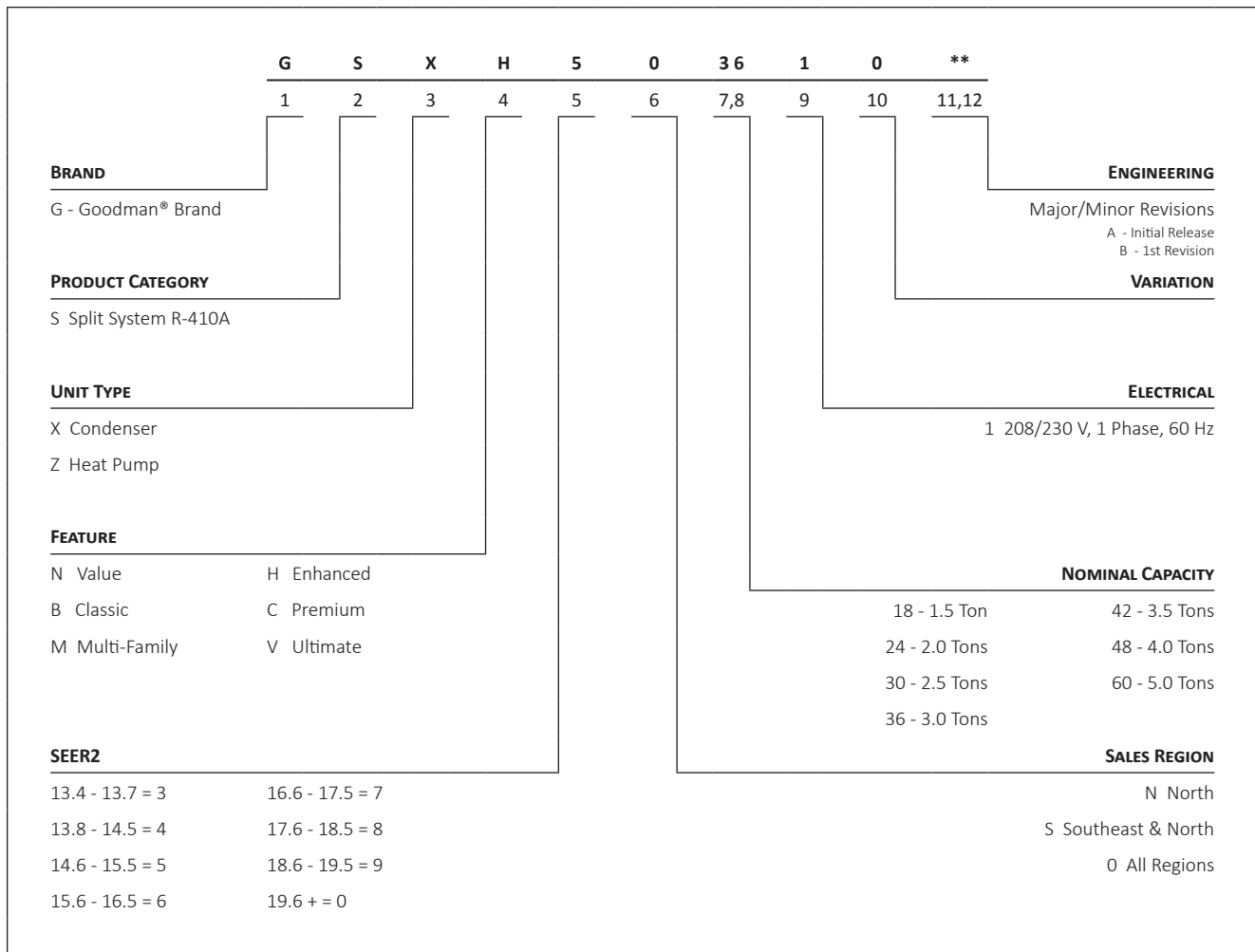
Cabinet Features

- Removable grille-style top design compliant with UL 60335-2-40
- Venturi for increased velocity of airflow
- Heavy-gauge galvanized-steel cabinet
- Attractive Architectural Gray powder-paint finish with 500-hour salt-spray approval
- Steel louver coil guard
- Rust-resistant coated screws
- Single-panel access to controls with space provided for field-installed accessories
- When properly anchored, meets the 2020 Florida Building Code unit integrity requirements for hurricane-type winds (Anchor bracket kits available.)



* Complete warranty details available from your local dealer or at www.franklinhvacsystems.com. To receive the 10-Year Parts Limited Warranty, online registration must be completed within 60 days of installation. Online registration is not required in California or Quebec.

NOMENCLATURE



	GSXH5 01810A*	GSXH5 02410A*	GSXH5 03010A*	GSXH5 03610A*	GSXH5 04210A*	GSXH5 04810A*	GSXH5 06010A*
CAPACITIES							
Nominal Cooling (BTU/h)	18,000	24,000	30,000	36,000	42,000	48,000	60,000
SEER2	15.2	15.2	15.2	15.2	15.2	15.2	15.2
Decibels (dBA)	72	73	72	75	72	73	76
COMPRESSOR							
RLA	9.0	11.5	12.8	14.1	177	19.9	23.7
LRA	42.6	59.5	65	87.4	110.2	110	151
Stage	Single	Single	Single	Single	Single	Single	Two
Type	Scroll	Scroll	Scroll	Scroll	Scroll	Scroll	Scroll
CONDENSER FAN MOTOR							
Motor Type	PSC	PSC	PSC	PSC	PSC	PSC	ECM
Horsepower	1/8	1/6	1/6	1/6	1/4	1/4	1/3
FLA	0.70	0.95	0.95	0.95	1.30	1.30	2.80
REFRIGERATION SYSTEM							
Refrigerant Line Size ¹							
Liquid Line Size ("O.D.)	3/8"	3/8"	3/8"	3/8"	3/8"	3/8"	3/8"
Suction Line Size ("O.D.)	3/4"	3/4"	3/4"	7/8"	1 1/8"	1 1/8"	1 1/8"
Refrigerant Connection Size							
Liquid Valve Size ("O.D.)	3/8"	3/8"	3/8"	3/8"	3/8"	3/8"	3/8"
Suction Valve Size ("O.D.) ^{2,3}	3/4"	3/4"	7/8"	7/8"	7/8"	7/8"	7/8"
Valve Type	Sweat	Sweat	Sweat	Sweat	Sweat	Sweat	Sweat
Refrigerant Charge ⁴	64	72	101	102	177	180	209
ELECTRICAL DATA							
Voltage-Phase (60 Hz)	208/230-1	208/230-1	208/230-1	208/230-1	208/230-1	208/230-1	208/230-1
Minimum Circuit Ampacity ⁵	11.9	15.3	17.0	18.6	23.4	26.2	32.4
Max. Overcurrent Protection ⁶	20	25	25	30	40	45	50
Min / Max Volts	197/253	197/253	197/253	197/253	197/253	197/253	197/253
Electrical Conduit Size	1/2" or 3/4"	1/2" or 3/4"	1/2" or 3/4"	1/2" or 3/4"	1/2" or 3/4"	1/2" or 3/4"	1/2" or 3/4"
EQUIPMENT WEIGHT (LBS)							
	126	151	202	202	260	260	283
SHIP WEIGHT (LBS)							
	144	169	224	224	282	282	305

¹ Line sizes denoted for 25' line sets, tested and rated in accordance with ARI Standard 210/240. For other line set lengths or sizes, refer to the Installation Instructions and/or the Long Line Set Applications guide.

² Installer will need to supply 3/4" to 7/8" adapters for suction line connections.

³ Installer will need to supply 7/8" to 1 1/8" adapters for suction line connections.

⁴ Unit is factory charged with refrigerant for 15' of 3/8" liquid line. System charge must be adjusted per the Final Charge Adjustment procedure found in the Installation Instructions.

⁵ Wire size should be determined in accordance with National Electrical Codes; extensive wire runs will require larger wire sizes

⁶ Must use time-delay fuses or HACR-type circuit breakers of the same size as noted.

NOTES

- Always check the S&R plate for electrical data on the unit being installed.

EXPANDED COOLING DATA — GSXH504210**/CA*TA4230*4A*

IDB	AIRFLOW	OUTDOOR AMBIENT TEMPERATURE																																			
		65°F						75°F						85°F						95°F						105°F						115°F					
		59	63	67	71	71	71	59	63	67	71	71	71	59	63	67	71	71	71	59	63	67	71	71	71	59	63	67	71	71	71						
70	1220	MBh	40.7	41.3	42.5	-	40.3	40.9	42.1	-	39.3	39.8	41.0	-	37.4	38.0	39.2	-	35.2	35.8	37.0	-	33.2	33.7	34.9	-	35.2	35.8	37.0	-	33.2	33.7	34.9	-			
		S/T	0.61	0.54	0.40	-	0.62	0.54	0.40	-	0.64	0.57	0.43	-	0.66	0.59	0.45	-	0.69	0.61	0.47	-	1.00	0.66	0.52	-	0.69	0.61	0.47	-	1.00	0.66	0.52	-			
		ΔT	19	18	14	-	19	18	14	-	20	18	14	-	19	18	14	-	19	17	14	-	20	18	15	-	19	17	14	-	20	18	15	-			
		kW	2.38	2.38	2.38	-	2.63	2.63	2.63	-	2.91	2.91	2.91	-	3.22	3.21	3.21	-	3.55	3.55	3.55	-	3.95	3.95	3.94	-	3.55	3.55	3.55	-	3.95	3.95	3.94	-			
		Amps	8.1	8.1	8.1	-	9.2	9.2	9.2	-	10.5	10.5	10.5	-	11.9	11.9	11.9	-	13.4	13.4	13.4	-	15.3	15.2	15.2	-	13.4	13.4	13.4	-	15.3	15.2	15.2	-			
	1400	Hi PR	237	238	239	-	274	275	277	-	313	314	316	-	355	356	358	-	401	402	403	-	449	450	452	-	401	402	403	-	449	450	452	-			
		Lo PR	119	120	123	-	126	128	131	-	132	134	137	-	138	139	142	-	143	144	147	-	150	151	154	-	143	144	147	-	150	151	154	-			
		MBh	41.2	41.8	43.0	-	40.9	41.4	42.7	-	39.8	40.4	41.6	-	38.0	38.5	39.8	-	35.7	36.3	37.5	-	33.7	34.3	35.5	-	35.7	36.3	37.5	-	33.7	34.3	35.5	-			
		S/T	0.68	0.60	0.46	-	0.68	0.60	0.47	-	0.71	0.63	0.49	-	0.73	0.65	0.51	-	1.00	0.67	0.53	-	1.00	0.72	0.59	-	1.00	0.67	0.53	-	1.00	0.72	0.59	-			
		ΔT	18	16	13	-	18	16	13	-	18	17	13	-	18	16	13	-	18	16	13	-	19	17	14	-	18	16	13	-	19	17	14	-			
1530	kW	2.40	2.40	2.39	-	2.65	2.65	2.64	-	2.93	2.92	2.92	-	3.23	3.23	3.22	-	3.57	3.57	3.56	-	3.96	3.96	3.96	-	3.57	3.57	3.56	-	3.96	3.96	3.96	-				
	Amps	8.1	8.1	8.1	-	9.3	9.3	9.3	-	10.6	10.6	10.5	-	12.0	11.9	11.9	-	13.5	13.5	13.5	-	15.3	15.3	15.3	-	13.5	13.5	13.5	-	15.3	15.3	15.3	-				
	Hi PR	239	240	241	-	276	277	279	-	315	316	318	-	357	358	360	-	403	404	405	-	451	452	454	-	403	404	405	-	451	452	454	-				
	Lo PR	121	122	125	-	128	129	132	-	134	136	139	-	140	141	144	-	145	146	149	-	151	153	156	-	145	146	149	-	151	153	156	-				
	MBh	41.7	42.3	43.5	-	41.3	41.9	43.1	-	40.3	40.8	42.1	-	38.4	39.0	40.2	-	36.2	36.8	38.0	-	34.2	34.7	36.0	-	36.2	36.8	38.0	-	34.2	34.7	36.0	-				

75	1220	MBh	40.7	41.3	42.5	44.4	40.3	40.9	42.1	44.0	39.3	39.9	41.1	42.9	37.4	38.0	39.2	41.1	35.2	35.8	37.0	38.9	33.2	33.8	35.0	36.8	
		S/T	0.74	0.67	0.53	0.4	0.75	0.67	0.53	0.4	0.77	0.70	0.56	0.4	1.00	0.72	0.58	0.4	1.00	0.74	0.60	0.5	1.00	0.79	0.65	0.5	
		ΔT	23	22	18	15	23	21	18	15	23	22	18	15	23	21	18	15	23	21	18	14	24	22	19	16	
		kW	2.38	2.38	2.38	2.4	2.63	2.63	2.63	2.6	2.91	2.91	2.91	2.9	3.21	3.21	3.21	3.2	3.55	3.55	3.55	3.6	3.95	3.95	3.94	4.0	
		Amps	8.1	8.1	8.0	8.1	9.2	9.2	9.2	9.3	10.5	10.5	10.5	10.6	11.9	11.9	11.9	11.9	13.4	13.4	13.4	13.5	15.2	15.2	15.2	15.3	
	1400	Hi PR	237	238	239	243.6	274	275	277	280.9	313	314	316	320.0	355	356	358	362.1	401	402	403	407.6	449	450	452	456.0	
		Lo PR	119	120	123	128.4	126	128	131	135.6	132	134	137	142.0	138	139	142	147.3	143	144	148	152.6	150	151	154	159.2	
		MBh	41.3	41.8	43.0	44.9	40.9	41.5	42.7	44.5	39.8	40.4	41.6	43.5	38.0	38.6	39.8	41.6	41.6	35.8	36.3	37.6	39.4	33.7	34.3	35.5	37.4
		S/T	0.81	0.73	0.59	0.4	0.81	0.74	0.60	0.5	1.00	0.76	0.62	0.5	1.00	0.78	0.64	0.5	1.00	0.80	0.67	0.5	1.00	0.86	0.72	0.6	
		ΔT	22	20	17	14	22	20	17	14	22	21	17	14	22	20	17	14	22	20	17	13	23	21	18	14	
1530	kW	2.40	2.39	2.39	2.41	2.65	2.64	2.64	2.66	2.93	2.92	2.92	2.94	3.23	3.23	3.22	3.24	3.57	3.56	3.56	3.58	3.96	3.96	3.96	3.97		
	Amps	8.1	8.1	8.1	8.2	9.3	9.3	9.3	9.3	10.6	10.6	10.5	10.6	11.9	11.9	11.9	12.0	13.5	13.5	13.5	13.6	15.3	15.3	15.3	15.4		
	Hi PR	239	240	242	245.6	276	277	279	283.0	315	316	318	322.1	357	358	360	364.2	403	404	406	409.6	451	452	454	458.1		
	Lo PR	121	122	125	130.2	128	129	132	137.4	134	136	139	143.8	140	141	144	149.1	145	146	149	154.4	151	153	156	160.9		
	MBh	41.7	42.3	43.5	45.4	41.4	41.9	43.1	45.0	40.3	40.9	42.1	43.9	38.5	39.0	40.3	42.1	42.1	36.2	36.8	38.0	39.9	34.2	34.8	36.0	37.8	

IDB: Entering Indoor Dry Bulb Temperature
 High and low pressures are measured at the liquid and suction service valves.
 Shaded area reflects ACCA (TVA) conditions
 Amps = outdoor unit amps (comp.+fan)
 kW = Total system power

EXPANDED COOLING DATA — GSXH506010**/CA*T4961*4A* (CONT.)

IDB	AIRFLOW	OUTDOOR AMBIENT TEMPERATURE																																															
		65°F								75°F								85°F								95°F								105°F								115°F							
		59	63	67	71	75	79	83	87	59	63	67	71	75	79	83	87	59	63	67	71	75	79	83	87	59	63	67	71	75	79	83	87	59	63	67	71	75	79	83	87								
80	1460	MBh	57.0	57.8	59.5	62.0	65.5	57.3	59.0	61.5	55.1	55.8	57.5	60.1	52.5	53.3	55.0	57.6	49.5	50.3	51.9	54.5	46.7	47.5	49.1	51.7																							
		S/T	0.84	0.77	0.64	0.5	0.84	0.77	0.65	0.5	1.00	0.80	0.67	0.5	1.00	0.81	0.69	0.6	1.00	0.83	0.71	0.6	1.00	0.88	0.76	0.6																							
		ΔT	32	30	26	21	32	30	26	21	32	30	26	21	32	30	26	21	32	29	25	21	33	31	27	22																							
		kW	3.37	3.37	3.36	3.4	3.76	3.76	3.75	3.4	4.20	4.20	4.19	4.2	4.68	4.67	4.67	4.7	5.21	5.20	5.20	5.2	5.83	5.82	5.82	5.8																							
		Amps	12.5	12.5	12.4	12.6	14.3	14.3	14.2	14.4	16.3	16.3	16.2	16.4	18.5	18.4	18.4	18.5	20.9	20.9	20.8	21.0	23.7	23.7	23.7	23.8																							
	1700	Hi PR	248	249	251	255.2	287	288	290	293.9	327	328	330	334.5	371	372	374	378.1	418	419	421	425.2	468	469	471	475.5																							
		Lo PR	111	112	115	119.9	118	119	122	126.5	124	125	128	132.3	128	130	133	137.3	133	135	137	142.1	139	141	143	148.1																							
		MBh	58.2	59.0	60.7	63.2	57.7	58.5	60.2	62.7	56.2	57.0	58.7	61.3	53.7	54.5	56.2	58.7	50.7	51.5	53.1	55.7	47.9	48.6	50.3	52.9																							
		S/T	0.87	0.80	0.68	0.6	0.88	0.81	0.69	0.6	1.00	0.83	0.71	0.6	1.00	0.85	0.73	0.6	1.00	0.87	0.75	0.6	1.00	0.92	0.79	0.7																							
		ΔT	30	28	24	20	30	28	24	20	31	29	24	20	32	30	28	24	20	30	28	24	20	31	29	25	21																						
1930	kW	3.39	3.39	3.38	3.41	3.78	3.78	3.77	3.80	4.22	4.22	4.21	4.24	4.70	4.69	4.69	4.72	5.23	5.22	5.22	5.25	5.85	5.85	5.84	5.87																								
	Amps	12.6	12.6	12.5	12.7	14.4	14.4	14.3	14.5	16.4	16.4	16.3	16.5	18.6	18.5	18.5	18.6	21.0	21.0	20.9	21.1	23.8	23.8	23.8	23.9																								
	Hi PR	251	252	254	257.8	289	291	292	296.6	330	331	333	337.1	374	375	377	380.8	421	422	424	427.9	471	472	474	478.1																								
	Lo PR	114	115	118	122.3	120	121	124	128.9	126	127	130	134.7	131	132	135	139.6	136	137	140	144.5	142	143	146	150.5																								
	MBh	59.7	60.4	62.1	64.7	59.2	59.9	61.6	64.2	57.7	58.5	60.2	62.7	55.2	56.0	57.6	60.2	52.1	52.9	54.6	57.1	49.3	50.1	51.8	54.3																								

85	1460	MBh	58.0	58.7	60.4	63.0	57.5	58.2	59.9	62.5	56.0	56.8	58.5	61.0	53.5	54.3	55.9	58.5	50.4	51.2	52.9	55.4	47.6	48.4	50.1	52.6
		S/T	1.00	0.86	0.74	0.6	1.00	0.87	0.74	0.6	1.00	0.89	0.76	0.6	1.00	0.91	0.78	0.7	1.00	1.00	0.80	0.7	1.00	1.00	0.85	0.7
		ΔT	36	34	30	26	36	34	30	26	36	34	30	26	36	34	30	26	36	34	30	25	37	35	31	27
		kW	3.38	3.37	3.37	3.4	3.77	3.77	3.76	3.8	4.21	4.21	4.20	4.2	4.68	4.68	4.67	4.7	5.21	5.21	5.20	5.2	5.84	5.83	5.83	5.9
		Amps	12.5	12.5	12.5	12.6	14.3	14.3	14.3	14.4	16.3	16.3	16.3	16.4	18.5	18.5	18.4	18.6	20.9	20.9	20.9	21.0	23.8	23.7	23.7	23.9
	1700	Hi PR	249	250	252	256.3	288	289	291	295.0	329	330	331	335.6	372	373	375	379.3	419	420	422	426.4	470	471	472	476.6
		Lo PR	113	114	117	121.5	119	121	124	128.2	125	127	129	134.0	130	131	134	138.9	135	136	139	143.7	141	142	145	149.7
		MBh	59.2	59.9	61.6	64.2	58.7	59.4	61.1	63.7	57.2	58.0	59.7	62.2	54.7	55.5	57.1	59.7	51.6	52.4	54.1	56.6	48.8	49.6	51.3	53.8
		S/T	1.00	0.90	0.77	0.6	1.00	0.90	0.78	0.6	1.00	0.92	0.80	0.7	1.00	0.94	0.82	0.7	1.00	1.00	0.84	0.7	1.00	1.00	0.89	0.8
		ΔT	35	33	29	24	35	33	28	24	35	33	29	25	35	32	28	24	34	32	28	24	36	34	29	25
1930	kW	3.40	3.40	3.39	3.42	3.79	3.79	3.78	3.81	4.23	4.23	4.22	4.25	4.71	4.70	4.70	4.73	5.24	5.23	5.23	5.26	5.86	5.85	5.85	5.88	
	Amps	12.6	12.6	12.6	12.7	14.4	14.4	14.4	14.5	16.4	16.4	16.4	16.5	18.6	18.6	18.5	18.7	21.0	21.0	21.0	21.1	23.9	23.8	23.8	24.0	
	Hi PR	252	253	255	259.0	291	292	293	297.7	331	332	334	338.3	375	376	378	381.9	422	423	425	429.0	472	473	475	479.3	
	Lo PR	115	116	119	123.9	122	123	126	130.5	128	129	132	136.4	133	134	137	141.3	137	139	141	146.1	143	145	147	152.1	
	MBh	60.6	61.4	63.1	65.6	60.1	60.9	62.6	65.1	58.6	59.4	61.1	63.7	56.1	56.9	58.6	61.1	53.1	53.8	55.5	58.1	50.2	51.0	52.7	55.3	

IDB: Entering Indoor Dry Bulb Temperature
 High and low pressures are measured at the liquid and suction service valves.
 Shaded area reflects AHRI conditions
 Amps = outdoor unit amps (comp.-flan)
 kW = Total system power

PERFORMANCE DATA

GSXH501810**/CA*TA1818*4A*				
CONDITIONS: 80 °F IBD, 67 °F IWB @ 600 CFM				
OUTDOOR TEM. ° F.	TOTAL BTU/H	SENSIBLE BTU/H	LATENT BTU/H	TOTAL WATTS
75	18,850	13,250	5,600	1,190
80	18,650	13,350	5,300	1,260
85	18,400	13,400	5,000	1,320
90	18,000	13,300	4,700	1,390
95	17,600	13,150	4,450	1,450
100	17,150	12,950	4,200	1,530
105	16,650	12,750	3,900	1,610
110	16,200	12,800	3,400	1,700
115	15,750	12,850	2,900	1,790
TVA CONDITIONS @ 95° OD DB, 75° ID DB 63° ID WB				
95°	17,000	12,850	4,150	1,460

GSXH502410**/CA*TA2422*4A*				
CONDITIONS: 80 °F IBD, 67 °F IWB @ 795 CFM				
OUTDOOR TEM. ° F.	TOTAL BTU/H	SENSIBLE BTU/H	LATENT BTU/H	TOTAL WATTS
75	25,300	17,150	8,150	1,580
80	25,000	17,250	7,750	1,670
85	24,700	17,300	7,400	1,750
90	24,150	17,150	7,000	1,840
95	23,600	17,000	6,600	1,930
100	22,950	16,750	6,200	2,030
105	22,300	16,500	5,800	2,130
110	21,700	16,600	5,100	2,250
115	21,100	16,650	4,450	2,370
TVA CONDITIONS @ 95° OD DB, 75° ID DB 63° ID WB				
95°	22,750	16,600	6,150	1,930

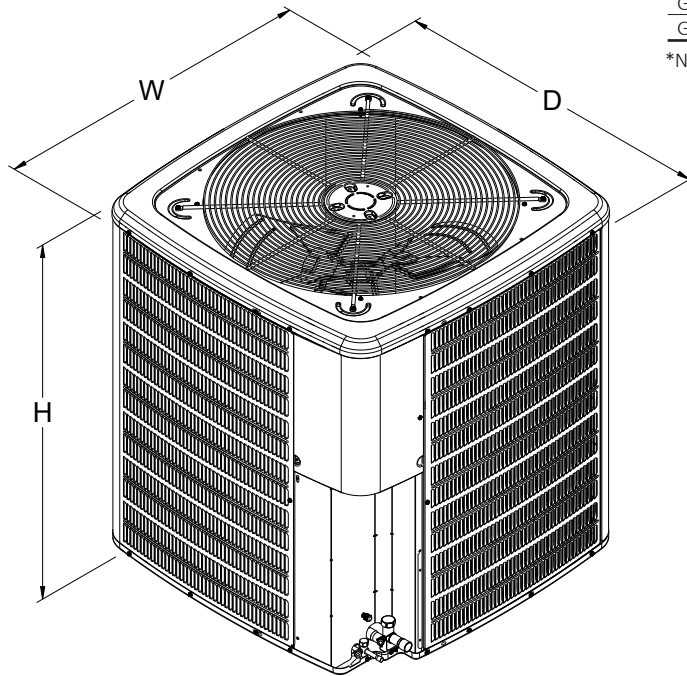
GSXH503010**/CA*TA3022*4A*				
CONDITIONS: 80 °F IBD, 67 °F IWB @ 1000 CFM				
OUTDOOR TEM. ° F.	TOTAL BTU/H	SENSIBLE BTU/H	LATENT BTU/H	TOTAL WATTS
75	30,450	21,200	9,250	1,870
80	30,100	21,300	8,800	1,970
85	29,700	21,400	8,300	2,070
90	29,050	21,200	7,850	2,180
95	28,400	21,000	7,400	2,280
100	27,600	20,750	6,850	2,400
105	26,800	20,450	6,350	2,510
110	26,100	20,550	5,550	2,650
115	25,350	20,600	4,750	2,790
TVA CONDITIONS @ 95° OD DB, 75° ID DB 63° ID WB				
95°	27,400	20,550	6,850	2,280

GSXH503610**/CA*TA3626*4A*				
CONDITIONS: 80 °F IBD, 67 °F IWB @ 1145 CFM				
OUTDOOR TEM. ° F.	TOTAL BTU/H	SENSIBLE BTU/H	LATENT BTU/H	TOTAL WATTS
75	36,650	25,900	10,750	2,280
80	36,200	26,050	10,150	2,410
85	35,750	26,150	9,600	2,530
90	35,000	25,900	9,100	2,660
95	34,200	25,650	8,550	2,790
100	33,250	25,300	7,950	2,940
105	32,300	24,950	7,350	3,090
110	31,450	25,050	6,400	3,270
115	30,550	25,150	5,400	3,450
TVA CONDITIONS @ 95° OD DB, 75° ID DB 63° ID WB				
95°	33,000	25,050	7,950	2,800

GSXH504210**/CA*TA4230*4A*				
CONDITIONS: 80 °F IBD, 67 °F IWB @ 1400 CFM				
OUTDOOR TEM. ° F.	TOTAL BTU/H	SENSIBLE BTU/H	LATENT BTU/H	TOTAL WATTS
75	42,900	31,100	11,800	2,640
80	42,400	31,250	11,150	2,780
85	41,850	31,400	10,450	2,920
90	40,950	31,100	9,850	3,070
95	40,000	30,800	9,200	3,220
100	38,900	30,400	8,500	3,390
105	37,750	29,950	7,800	3,560
110	36,750	30,100	6,650	3,760
115	35,750	30,200	5,550	3,960
TVA CONDITIONS @ 95° OD DB, 75° ID DB 63° ID WB				
95°	38,550	30,100	8,450	3,230

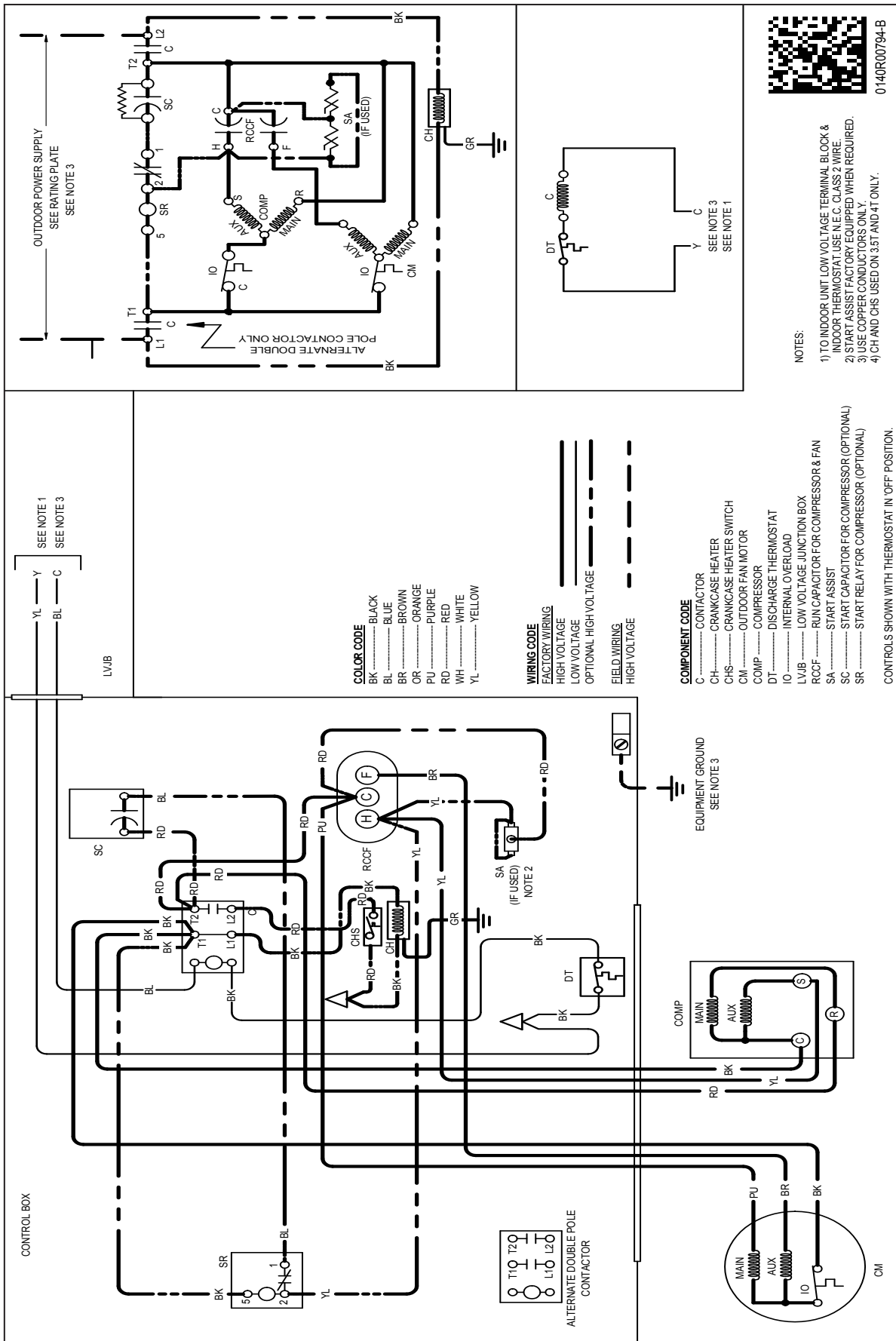
GSXH504810**/CA*T4961*4A*				
CONDITIONS: 80 °F IBD, 67 °F IWB @ 1450 CFM				
OUTDOOR TEM. ° F.	TOTAL BTU/H	SENSIBLE BTU/H	LATENT BTU/H	TOTAL WATTS
75	48,750	33,850	14,900	2,970
80	48,150	34,000	14,150	3,140
85	47,550	34,150	13,400	3,300
90	46,500	33,850	12,650	3,480
95	45,450	33,550	11,900	3,660
100	44,200	33,100	11,100	3,860
105	42,900	32,600	10,300	4,050
110	41,750	32,750	9,000	4,290
115	40,600	32,850	7,750	4,520
TVA CONDITIONS @ 95° OD DB, 75° ID DB 63° ID WB				
95°	43,850	32,800	11,050	3,660

GSXH506010**/CA*T4961*4A*				
CONDITIONS: 80 °F IBD, 67 °F IWB @ 1700 CFM				
OUTDOOR TEM. ° F.	TOTAL BTU/H	SENSIBLE BTU/H	LATENT BTU/H	TOTAL WATTS
75	60,150	41,250	18,900	3,770
80	59,450	41,450	18,000	3,990
85	58,700	41,600	17,100	4,210
90	57,450	41,200	16,250	4,450
95	56,200	40,800	15,400	4,690
100	54,650	40,250	14,400	4,960
105	53,100	39,650	13,450	5,220
110	51,700	39,800	11,900	5,530
115	50,300	39,900	10,400	5,840
TVA Conditions @ 95° OD DB, 75° ID DB 63° ID WB				
95°	54,250	39,900	14,350	4,690



MODEL	DIMENSIONS		
	W"	D"	H"
GSXH501810A*	26	26	27
GSXH502410A*	29	29	32
GSXH503010A*	35½	35½	39½
GSXH503610A*	35½	35½	39½
GSXH504210A*	35½	35½	36½
GSXH504810A*	35½	35½	36½
GSXH506010A*	35½	35½	41½

*Note: All the Dimensions (W, D, H) are for reference only.

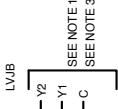
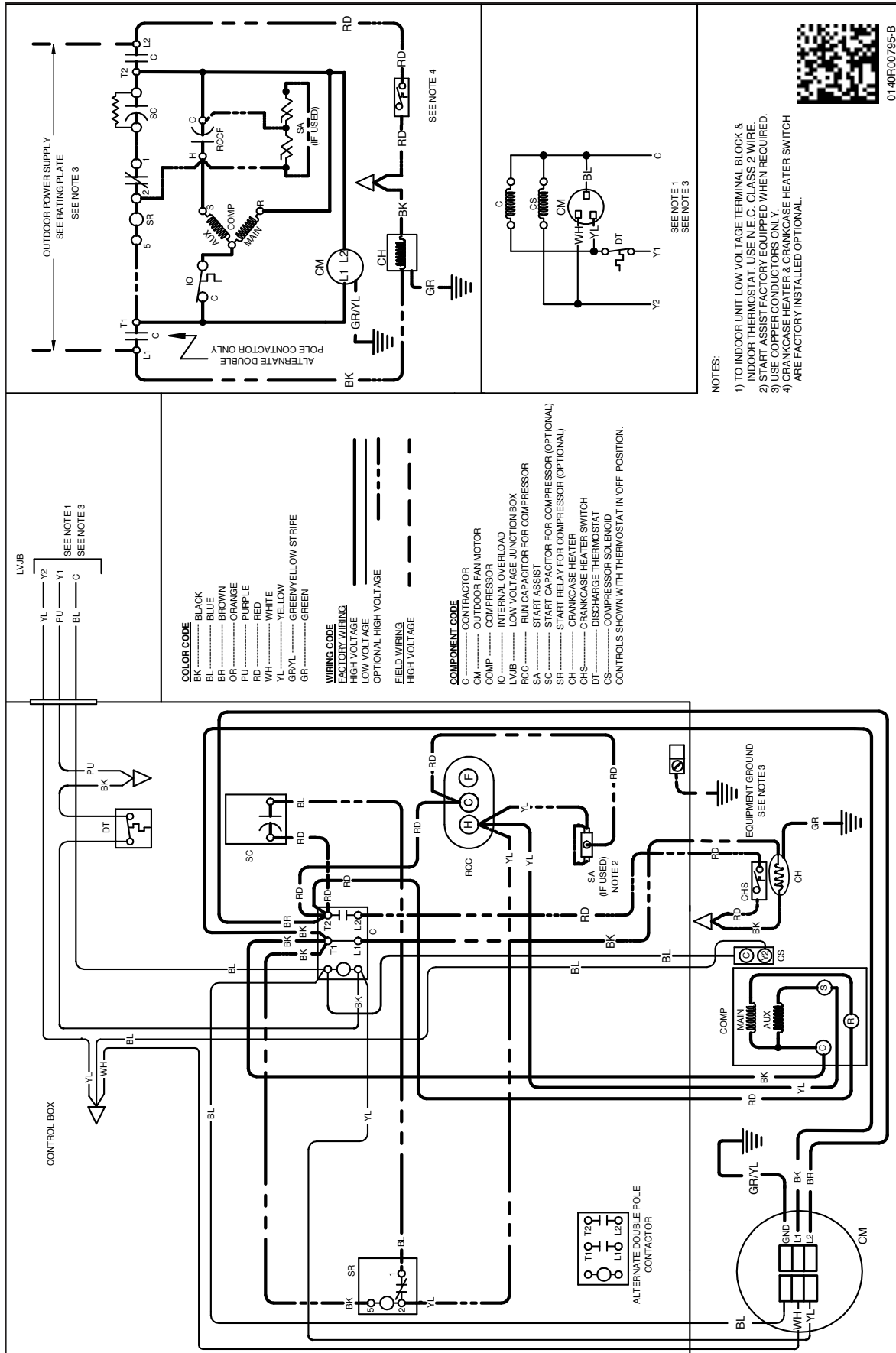


0140R00794-B

High Voltage: Disconnect all power before servicing or installing this unit. Multiple power sources may be present. Failure to do so may cause property damage, personal injury, or death.

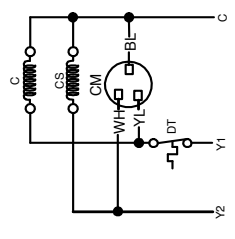
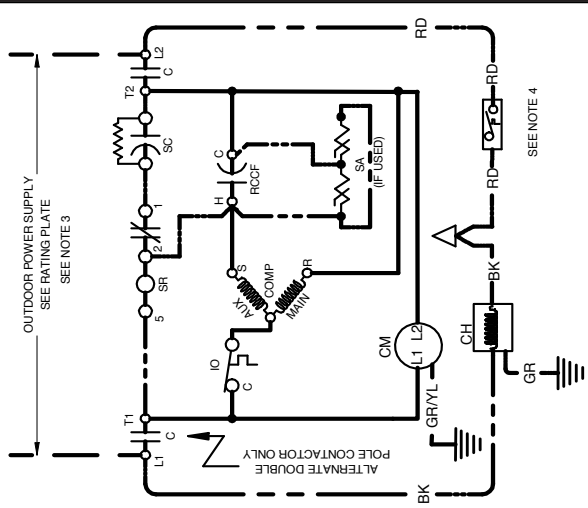
WARNING

Wiring is subject to change. Always refer to the wiring diagram or the unit for the most up-to-date wiring.



- COLOR CODE**
 BK BLACK
 BR BROWN
 CR CRANKCASE HEATER
 PU PURPLE
 RD RED
 WH WHITE
 YL YELLOW
 GR GREEN
 GRYL GREEN/YELLOW STRIPE
- WIRING CODE**
 F FACTORY WIRING
 H HIGH VOLTAGE
 L LOW VOLTAGE
 O OPTIONAL HIGH VOLTAGE
 FLD FIELD WIRING
 H HIGH VOLTAGE

- COMPONENT CODE**
 C CONTACTOR
 CM OUTDOOR FAN MOTOR
 COMP COMPRESSOR
 IO INTERNAL OVERLOAD
 LVJB LOW VOLTAGE JUNCTION BOX
 RCC RUN CAPACITOR FOR COMPRESSOR
 SA START ASSIST
 SC START CAPACITOR FOR COMPRESSOR (OPTIONAL)
 SR START RELAY FOR COMPRESSOR (OPTIONAL)
 CH CRANKCASE HEATER
 DT DISCHARGE THERMOSTAT
 CS COMPRESSOR SOLENOID
 CONTROLS SHOWN WITH THERMOSTAT IN 'OFF' POSITION.



NOTES:
 1) TO INDOOR UNIT LOW VOLTAGE TERMINAL BLOCK & INDOOR THERMOSTAT, USE N.E.C. CLASS 2 WIRE
 2) START ASSIST FACTORY EQUIPPED WHEN REQUIRED.
 3) USE COPPER CONDUCTORS ONLY.
 4) CRANKCASE HEATER & CRANKCASE HEATER SWITCH ARE FACTORY INSTALLED OPTIONAL.



WARNING

High Voltage: Disconnect all power before servicing or installing this unit. Multiple power sources may be present. Failure to do so may cause property damage, personal injury, or death.

Wiring is subject to change. Always refer to the wiring diagram or the unit for the most up-to-date wiring.

ACCESSORIES

MODEL	DESCRIPTION	GSXH5 01810A*	GSXH5 02410A*	GSXH5 03010A*	GSXH5 03610A*	GSXH5 04210A*	GSXH5 04810A*	GSXH5 06010A*
ABK-20	Anchor Bracket Kit ^	X	X	X	X	X	X	X
ABK-21	Anchor Bracket Kit ^							
ASC-01	Anti-Short Cycle Kit	X	X	X	X	X	X	X
CSR-U-1	Hard-start Kit	X	X	X	X			
CSR-U-2	Hard-start Kit				X	X	X	X
CSR-U-3	Hard-start Kit						X	X
FSK01A ¹	Freeze Protection Kit	X	X	X	X	X	X	X
LSK02A	Liquid Line Solenoid Kit	X	X	X	X	X	X	X
LAKT01	Low-Ambient Kit	X	X	X	X	X	X	
0130R00000S	Low-Pressure Switch Kit	X	X	X	X	X	X	X
TXV-FX-KX-2T ²	TXV Kit	X	X					
TXV-FX-KX-3T ²	TXV Kit			X	X			
TXV-FX-KX-5T ²	TXV Kit					X	X	X

^ Contains 20 brackets; four brackets needed to anchor unit to pad

¹ Installed on indoor coil

² Condensing units and heat pumps with reciprocating or rotary compressors require the use of start-assist components when used in conjunction with an indoor coil using a non-bleed thermal expansion valve refrigerant metering device or liquid line solenoid kit. The TXV should always be sized based on the tonnage of the outdoor unit.

All AHRI system ratings are accessible in the System Configurator tool via PartnerLink.

