

19.0 SEER2 & 8.8 HSPF2
1½ TO 5 TONS

GOODMAN SD (SIDE DISCHARGE)
HIGH-EFFICIENCY,
COMMUNICATING, VARIABLE-SPEED,
INVERTER DRIVEN
R-32 SPLIT SYSTEM HEAT PUMP

■ **Contents**

- Nomenclature..... 2
- Product Specifications..... 3
- Expanded Cooling Data..... 4
- Performance Data 18
- Expanded Heating Data..... 22
- Expanded Heating Data (New)..... 26
- Heating Charging (New)..... 32
- Sound Data
 - Sound Power..... 34
 - Quiet Mode..... 35
 - Sound Pressure 36
- AHRI Ratings (see note)..... 37
- Wiring Diagrams..... 38
- Dimensions 40
- Accessories 42



R32

■ **Standard Features**

- Variable-speed swing compressors
- Quiet digitally commutated fan motor
- High-density compressor sound blanket
- Compatible with Goodman GTST connected thermostat and other Goodman communicating equipment
- Proprietary control algorithmic logic
- In communicating mode, only two low-voltage wires to outdoor unit required
- Diagnostic indicator lights, seven-segment LED display, and fault code storage
- Proprietary Inside intelligence for diagnostics
- Quiet-mode - provides enhanced acoustical comfort, up to 3 different sound levels (as low as 45dBA)
- Field-selectable boost mode increases compressor speed during unusually high loads
- Field-installed bi-flow filter drier
- Coil and ambient temperature sensors
- Suction pressure transducer
- Sweat connection service valves with easy access to gauge ports
- AHRI Certified; ETL Listed

■ **Cabinet Features**

- Heavy-gauge galvanized steel cabinet with grille-style sound control side design
- Custom Ivory white powder-paint finish
- High corrosion (ZAM®), unpainted steel bottom frame and legs
- 500-hour salt-spray tested
- Wire fan discharge grille
- Top and side maintenance access
- When properly anchored, meets the 2023 Florida Building Code unit integrity requirements for hurricane-type winds (Anchor bracket kits available.)



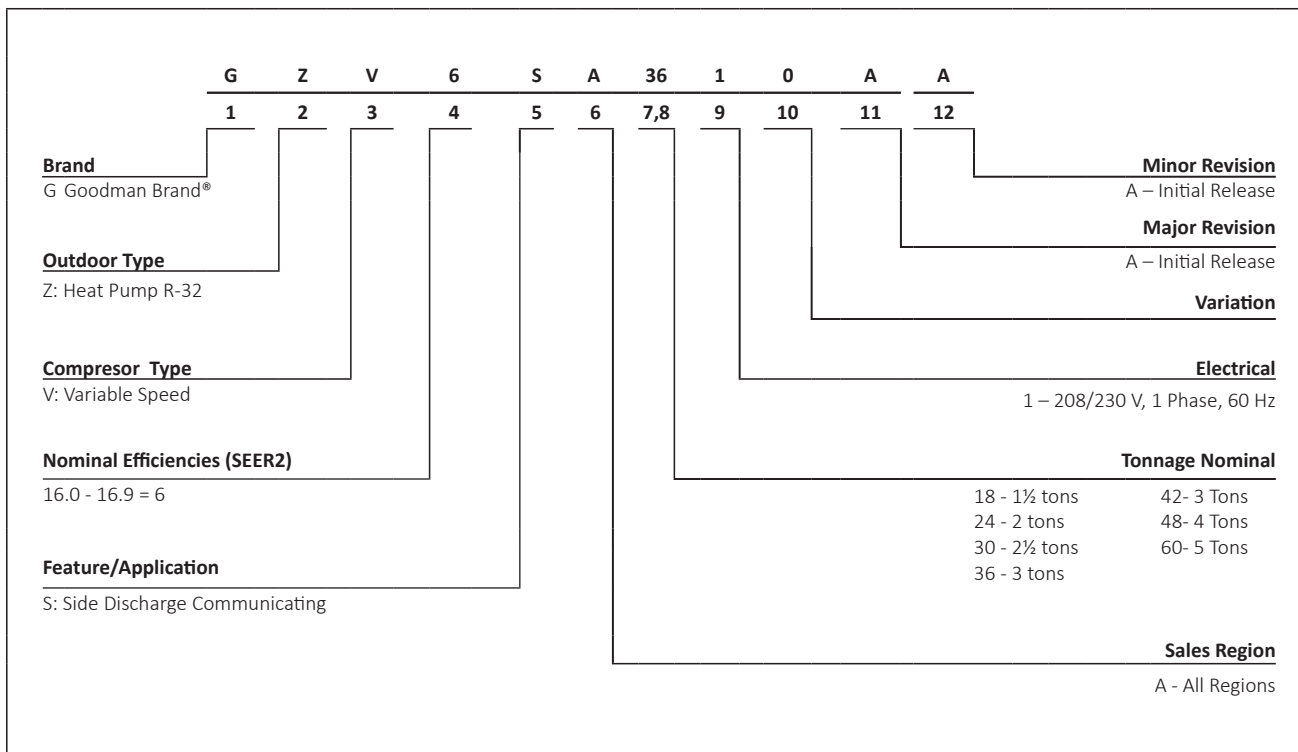
Products that are recognized as the Most Efficient of ENERGY STAR® in 2025 prevent greenhouse gas emissions by meeting rigorous energy efficiency performance levels set by the U.S. Environmental Protection Agency.



* Proper sizing and installation of equipment is critical to achieve optimal performance. Split system air conditioners and heat pumps must be matched with appropriate coil components to meet ENERGY STAR® criteria. Ask your contractor for details or visit www.energystar.gov.



* Complete warranty available from your local dealer or at www.franklinhvacsystems.com. To receive the 10-Year Unit Replacement Limited Warranty (good for as long as you own your home) and 10-Year Parts Limited Warranty, online registration must be completed within 60 days of installation. Online registration is not required in California, Florida, or Québec. The duration of warranty coverages in Texas and Florida differs in some cases. Changes in law, regulations, or technology may result in an equivalent unit not being available. Other limitations and exclusions apply, refer to complete warranty details for full list of limitations and exclusions, as well as rights and obligations should an equivalent unit not be available.

† One-time Compressor Replacement coverage is available to the original homeowner for years 11-99 after the installation date through an ASURE Extend Service Plan. Complete details about the Extended Service Plan options available from your ASURE dealer.



	GZV6SA 1810A*	GZV6S A2410A*	GZV6SA 3010A*	GZV6SA 3610A*	GZV6SA 4210A*	GZV6SA 4810A*	GZV6SA 6010A*
CAPACITIES (AHRI RATED)							
Max. Cooling (BTU/h)-95F	17,100	23,200	28,400	34,200	41,000	45,500	53,500
Max. Heating (BTU/h)-47F	17,400	23,200	28,800	34,600	40,000	45,500	54,500
Max. Heating (BTU/h)-5F	13,000	14,200	17,300	20,000	27,400	28,000	33,000
AMBIENT OPERATION RANGE							
COOLING (°FDB(°CDB))	'0 to 115 (-17.8 to 46.1) ²						
HEATING (°FDB(°CDB))	-10 to 70 (-23.3 to 21.1)						
COMPRESSOR							
Type	Swing	Swing	Swing	Swing	Swing	Swing	Swing
CONDENSER FAN MOTOR							
Horsepower	0.09	0.09	0.20	0.20	0.36	0.36	0.36
REFRIGERATION SYSTEM							
Refrigerant Line Size ¹							
Liquid Line Size ("O.D.)	3/8"	3/8"	3/8"	3/8"	3/8"	3/8"	3/8"
Suction Line Size ("O.D.)	3/4"	3/4"	7/8"	7/8"	1 1/8"	1 1/8"	1 1/8"
Refrigerant Connection Size							
Liquid Valve Size ("O.D.)	3/8"	3/8"	3/8"	3/8"	3/8"	3/8"	3/8"
Suction Valve Size ("O.D.)	3/4"	3/4"	7/8"	7/8"	7/8"	7/8"	7/8"
Valve Connection Type	Front Sealing	Front Sealing	Front Sealing	Front Sealing	Front and Back Sealing	Front and Back Sealing	Front and Back Sealing
Refrigerant Charge (oz.)	74	74	76	83	100	100	118
Expansion Device	EEV	EEV	EEV	EEV	EEV	EEV	EEV
Superheat at Service Valve	Auto-control	Auto-control	Auto-control	Auto-control	Auto-control	Auto-control	Auto-control
Subcooling at Service Valve	10±1°F	12±1°F	14±1°F	15±1°F	8±1°F	9±1°F	9±1°F
ELECTRICAL DATA							
Voltage / Phase (60 Hz)	208-230/1	208-230/1	208-230/1	208-230/1	208-230/1	208-230/1	208-230/1
Fan/Compressor Inverter Drive Input	8.1	13.3	17.6	17.6	25.4	25.4	30
Minimum Circuit Ampacity ²	12.8	16.8	22.4	22.4	31.8	31.8	37.5
Max. Overcurrent Protection ³	15	20	25	25	35	35	40
Min / Max Volts	197/253	197/253	197/253	197/253	197/253	197/253	197/253
Electrical Conduit Size	1/2"	1/2"	1/2"	1/2"	1/2" or 3/4"	1/2" or 3/4"	1/2" or 3/4"
EQUIPMENT WEIGHT (LBS)	122	122	132	137	168	168	179
SHIP WEIGHT (LBS)	137	137	147	151	185	185	198
ENERGY STAR® CERTIFIED		NO	NO	NO	NO	NO	NO
ENERGY STAR® MOST EFFICIENT		NO	NO	NO	NO	NO	NO

¹ Tested and rated in accordance with ANSI/AHRI Standard 210/240

² Wire size should be determined in accordance with National Electrical Codes; extensive wire runs will require larger wire sizes

³ Must use time-delay fuses or HACR-type circuit breakers of the same size as noted.

NOTES

- Always check the S&R plate for electrical data on the unit being installed.
 - Installer will need to supply 3/8" to 1 1/8" adapters for suction line connections.
 - Unit is charged with refrigerant for 15' of 3/8" liquid line. System charge must be adjusted per Installation Instructions Final Charge Procedure.
- (See table below for allowable line set diameter)

ENERGY STAR NOTES

Proper sizing and installation of equipment is critical to achieving optimal performance. Split system air conditioners and heat pumps must be matched with appropriate coil components to meet **ENERGY STAR** criteria. Ask your contractor for details or visit www.energystar.gov. The www.energystar.gov website provides up-to-date system combinations certified to meet **ENERGY STAR** requirements.

UNIT TONS	ALLOWABLE LINE SET DIAMETER						
	LIQUID			SUCTION			
	1/4"	5/16"	3/8"	3/8"	3/4"	7/8"	1 1/8"
1.5	x	x	x	x ¹	x		
2.0		x	x	x ¹	x		
2.5		x	x		x ¹	x	
3.0		x	x		x ¹	x	
3.5			x			x	x
4.0			x			x	x
5.0			x			x	x

x Allowable combination

¹ For marked combinations, if normal ambient operation temperature is less than 14°F, limit line set length to 50 ft. max.

OUTDOOR UNIT	GZV6S*361*A*	
INDOOR UNIT	G*VT960403B/0603B G*VM970603BG*VT 800603B/0803BMBV K12BP G*VS960603BU	TRIM MORE THAN 10% SETTINGS ARE INVALID. TRIMMED UP CFM MAKES MISS MATCHING ERROR.
OUTDOOR UNIT	GZV6S*601*A*	
INDOOR UNIT	G*VT960804C G*VM970804C G*VT800804C	TRIM MORE THAN 5% SETTINGS ARE INVALID. TRIMMED UP CFM MAKES MISS MATCHING ERROR.

EXPANDED COOLING DATA — GZV6SA1810A* / AHVE24BP1300A*

IDB*	OUTDOOR AMBIENT TEMPERATURE												115°F								
	65°F				75°F				85°F					95°F				105°F			
	59	63	67	71	59	63	67	71	59	63	67	71		59	63	67	71	59	63	67	71
520	MBh	17.8	18.6	19.1	17.8	18.1	18.6	17.0	17.2	17.8	15.8	16.1	16.6	14.6	14.8	15.3	13.4	13.7	14.2	14.2	
	S/T	0.62	0.52	0.38	0.60	0.52	0.38	0.62	0.54	0.41	0.63	0.56	0.42	0.65	0.58	0.44	0.70	0.63	0.49	0.49	
	ΔT	22	18	14	19	17	14	19	17	14	18	16	13	17	16	13	18	16	14	14	
	kW	0.85	0.93	0.93	1.08	1.07	1.07	1.24	1.24	1.24	1.43	1.43	1.43	1.64	1.64	1.64	1.89	1.89	1.89	1.89	
	Amps	3.6	3.9	3.9	4.4	4.4	4.4	5.0	4.9	4.9	5.6	5.6	5.6	6.5	6.5	6.5	7.7	7.7	7.7	7.7	
	Hi PR	234	237	238	277	278	279	321	322	323	369	370	371	421	423	424	479	480	482	482	
	Lo PR	121	122	129	125	128	135	130	133	141	134	137	145	137	141	148	142	146	153	153	
	MBh	18.6	18.9	19.4	18.1	18.3	18.9	17.2	17.5	18.0	16.1	16.4	16.9	14.8	15.1	15.6	13.7	13.9	14.4	14.4	
	S/T	0.67	0.59	0.46	0.67	0.59	0.46	0.69	0.62	0.48	0.71	0.63	0.50	0.73	0.65	0.52	0.99	0.70	0.57	0.57	
	ΔT	18	16	13	18	16	13	18	16	13	17	15	12	16	15	12	17	15	12	12	
kW	0.94	0.94	0.93	1.08	1.08	1.08	1.25	1.25	1.25	1.44	1.44	1.43	1.65	1.65	1.65	1.90	1.90	1.90	1.90		
Amps	3.9	3.9	3.9	4.4	4.4	4.4	5.0	5.0	5.0	5.7	5.7	5.7	6.6	6.5	6.5	7.7	7.7	7.7	7.7		
Hi PR	238	239	241	279	280	282	323	324	326	371	372	374	424	425	427	481	482	484	484		
Lo PR	121	124	131	127	130	138	132	135	143	136	139	147	139	143	151	144	148	156	156		
MBh	19.0	19.2	19.8	18.4	18.7	19.2	17.6	17.8	18.4	16.4	16.7	17.2	15.2	15.4	15.9	14.0	14.2	14.7	14.7		
S/T	0.71	0.63	0.49	0.71	0.63	0.50	0.73	0.65	0.52	0.75	0.67	0.54	0.76	0.69	0.56	0.99	0.74	0.60	0.60		
ΔT	17	15	12	17	15	12	17	15	12	16	14	11	15	14	11	16	14	11	11		
kW	0.94	0.94	0.94	1.09	1.09	1.09	1.26	1.26	1.25	1.44	1.44	1.44	1.66	1.65	1.65	1.91	1.91	1.91	1.91		
Amps	4.0	3.9	3.9	4.4	4.4	4.4	5.0	5.0	5.0	5.7	5.7	5.7	6.6	6.6	6.6	7.8	7.8	7.8	7.8		
Hi PR	240	241	243	281	283	284	325	327	328	374	375	376	426	428	429	484	485	487	487		
Lo PR	123	127	134	129	133	140	134	138	145	138	142	149	142	145	153	146	150	158	158		
MBh	17.8	18.6	19.1	17.8	18.1	18.6	17.0	17.2	17.8	15.9	16.1	16.6	14.6	14.8	15.3	13.4	13.7	14.2	14.9		
S/T	0.76	0.64	0.51	0.72	0.65	0.51	0.75	0.67	0.54	1.00	0.69	0.55	1.00	0.70	0.57	0.99	0.75	0.62	0.48		
ΔT	26	22	18	23	21	18	23	21	18	22	20	17	21	19	16	22	20	17	14		
kW	0.85	0.93	0.93	1.07	1.07	1.07	1.24	1.24	1.24	1.43	1.43	1.42	1.64	1.64	1.64	1.89	1.89	1.89	1.90		
Amps	3.6	3.9	3.9	4.4	4.4	4.4	4.9	4.9	4.9	5.6	5.6	5.6	6.5	6.5	6.5	7.7	7.7	7.7	7.7		
Hi PR	234	237	238	277	278	280	321	322	324	369	370	372	422	423	424	479	480	482	486		
Lo PR	121	122	129	125	128	135	130	133	141	134	137	145	137	141	148	142	146	154	166		
MBh	18.6	18.9	19.4	18.1	18.3	18.9	17.3	17.5	18.0	16.1	16.4	16.9	14.9	15.1	15.6	13.7	13.9	14.4	15.2		
S/T	0.80	0.72	0.58	0.80	0.72	0.59	0.82	0.75	0.61	1.00	0.76	0.63	1.00	0.78	0.65	0.99	0.83	0.69	0.55		
ΔT	22	20	17	22	20	17	21	20	16	21	19	16	20	18	15	20	19	16	13		
kW	0.94	0.93	0.93	1.08	1.08	1.08	1.25	1.25	1.25	1.44	1.43	1.44	1.65	1.65	1.65	1.90	1.90	1.90	1.91		
Amps	3.9	3.9	3.9	4.4	4.4	4.4	5.0	5.0	5.0	5.7	5.7	5.7	6.6	6.5	6.5	7.7	7.7	7.7	7.8		
Hi PR	238	239	241	279	280	282	323	324	326	371	372	374	424	425	427	482	483	484	489		
Lo PR	121	124	131	127	130	138	132	135	143	136	139	147	139	143	151	144	148	156	168		
MBh	19.0	19.2	19.8	18.4	18.7	19.2	17.6	17.8	18.4	16.5	16.7	17.2	15.2	15.4	15.9	14.0	14.3	14.8	15.5		
S/T	0.83	0.76	0.62	0.84	0.76	0.63	1.01	0.78	0.65	1.00	0.80	0.66	1.00	0.82	0.68	0.99	0.86	0.73	0.59		
ΔT	21	19	16	20	19	15	20	19	15	20	18	15	19	17	14	19	18	15	12		
kW	0.94	0.94	0.94	1.09	1.09	1.09	1.26	1.25	1.25	1.44	1.44	1.44	1.66	1.65	1.65	1.91	1.91	1.90	1.91		
Amps	3.9	3.9	3.9	4.4	4.4	4.4	5.0	5.0	5.0	5.7	5.7	5.7	6.6	6.6	6.6	7.8	7.8	7.8	7.8		
Hi PR	241	242	243	282	283	284	326	327	328	374	375	377	427	428	430	484	485	487	491		
Lo PR	123	127	134	129	133	140	134	138	145	138	142	149	142	145	153	147	150	158	171		

Shaded area is ACCA (TVA) conditions
 kW = Total system power
 Amps = outdoor unit amps

IDB*: Entering Indoor Dry Bulb Temperature
 High and low pressures are measured at the liquid and suction service valves.
 Airflow may vary depending on actual ambient conditions and system operation modes.

EXPANDED COOLING DATA — GZV6SA1810A* / AHVE24BP1300A* (CONT.)

IDB*	AIRFLOW	OUTDOOR AMBIENT TEMPERATURE																							
		65°F				75°F				85°F				95°F				105°F				115°F			
		59	63	67	71	59	63	67	71	59	63	67	71	59	63	67	71	59	63	67	71	59	63	67	71
80	MBh	18.4	18.7	19.2	20.1	17.9	18.2	18.7	19.5	17.1	17.3	17.9	18.7	15.9	16.2	16.7	17.5	14.7	14.9	15.4	16.2	13.5	13.8	14.3	15.0
	S/T	0.85	0.77	0.63	0.49	1.01	0.77	0.64	0.50	1.01	0.79	0.66	0.52	1.00	0.81	0.68	0.53	1.00	0.83	0.69	0.55	0.99	0.99	0.74	0.60
	ΔT	27	26	22	19	27	25	22	18	26	25	21	18	25	24	21	17	25	23	20	17	25	23	21	17
	kW	0.93	0.93	0.93	0.93	1.07	1.07	1.07	1.08	1.24	1.24	1.24	1.25	1.43	1.43	1.43	1.43	1.64	1.64	1.64	1.65	1.89	1.89	1.89	1.90
	Amps	3.9	3.9	3.9	3.9	4.4	4.4	4.4	4.4	5.0	4.9	4.9	5.0	5.6	5.6	5.6	5.7	6.5	6.5	6.5	6.5	7.7	7.7	7.7	7.7
	Hi PR	236	237	239	243	277	278	280	284	321	322	324	328	369	370	372	376	422	423	425	429	479	480	482	487
	Lo PR	119	123	130	141	125	129	136	148	130	134	141	153	134	138	145	157	138	141	149	161	143	146	154	166
	MBh	18.7	19.0	19.5	20.4	18.2	18.4	19.0	19.8	17.3	17.6	18.1	18.9	16.2	16.5	17.1	17.8	14.9	15.2	15.7	16.5	13.8	14.0	14.5	15.3
	S/T	0.92	0.85	0.71	0.57	1.01	0.85	0.71	0.57	1.01	0.87	0.73	0.59	1.00	0.88	0.75	0.61	1.00	0.90	0.77	0.63	0.99	0.99	0.82	0.68
	ΔT	26	24	21	17	25	24	20	17	25	23	20	17	24	23	20	16	23	22	19	16	24	22	19	16
kW	0.94	0.94	0.93	0.94	1.08	1.08	1.08	1.09	1.25	1.25	1.25	1.26	1.44	1.44	1.44	1.44	1.65	1.65	1.65	1.66	1.90	1.90	1.90	1.91	
Amps	3.9	3.9	3.9	4.0	4.4	4.4	4.4	4.4	5.0	5.0	5.0	5.0	5.7	5.7	5.7	5.7	6.6	6.5	6.5	6.6	7.7	7.7	7.7	7.8	
Hi PR	239	240	241	245	280	281	282	287	324	325	326	331	372	373	375	379	425	426	428	432	482	483	485	489	
Lo PR	121	125	132	144	127	131	138	150	132	136	143	155	136	140	150	160	140	144	151	163	145	148	156	169	
MBh	19.1	19.3	19.9	20.7	18.5	18.8	19.3	20.1	17.7	17.9	18.5	19.3	16.5	16.8	17.3	18.1	15.3	15.5	16.0	16.8	14.1	14.3	14.8	15.6	
S/T	1.01	0.88	0.75	0.61	1.01	0.89	0.75	0.61	1.01	0.91	0.77	0.63	1.00	0.92	0.79	0.65	1.00	1.00	0.81	0.67	0.99	0.99	0.85	0.71	
ΔT	25	23	20	16	24	23	19	16	24	22	19	16	23	22	18	15	22	21	18	15	23	21	18	15	
kW	0.94	0.94	0.94	0.95	1.09	1.09	1.09	1.10	1.26	1.26	1.26	1.26	1.44	1.44	1.44	1.45	1.66	1.65	1.65	1.66	1.91	1.91	1.91	1.92	
Amps	4.0	3.9	3.9	4.0	4.4	4.4	4.4	4.4	5.0	5.0	5.0	5.0	5.7	5.7	5.7	5.7	6.6	6.6	6.6	6.6	7.8	7.8	7.8	7.8	
Hi PR	241	242	244	248	282	283	285	289	326	327	329	333	374	375	377	381	427	428	430	434	484	486	487	492	
Lo PR	124	127	134	146	130	133	141	153	135	138	146	158	139	142	150	162	142	146	153	166	147	151	158	171	

520	MBh	18.7	19.0	19.5	20.4	18.2	18.5	19.0	19.8	17.4	17.6	18.1	19.0	16.2	16.5	17.0	17.8	15.0	15.2	15.7	16.5	13.8	14.0	14.5	15.3
	S/T	1.01	0.87	0.74	0.59	1.01	0.87	0.74	0.60	1.01	1.01	0.76	0.62	1.00	1.00	0.78	0.63	1.00	1.00	0.79	0.65	0.99	0.99	0.84	0.70
	ΔT	31	29	26	22	30	28	25	22	30	28	25	21	29	27	24	21	28	26	23	20	28	27	24	21
	kW	0.93	0.93	0.93	0.94	1.08	1.08	1.07	1.08	1.24	1.24	1.24	1.25	1.43	1.43	1.43	1.44	1.64	1.64	1.64	1.65	1.90	1.89	1.89	1.90
	Amps	3.9	3.9	3.9	3.9	4.4	4.4	4.4	4.4	5.0	5.0	4.9	5.0	5.6	5.6	5.6	5.7	6.5	6.5	6.5	6.6	7.7	7.7	7.7	7.7
	Hi PR	237	238	240	244	278	279	281	285	322	323	325	329	371	372	373	378	423	424	426	430	481	482	483	488
	Lo PR	121	125	132	143	127	131	138	150	132	136	143	155	136	140	147	159	140	143	151	163	144	148	156	168
	MBh	19.0	19.3	19.8	20.7	18.5	18.7	19.3	20.1	17.6	17.9	18.4	19.2	16.5	16.7	17.3	18.1	15.2	15.5	16.0	16.7	14.1	14.3	14.8	15.5
	S/T	1.01	0.95	0.81	0.67	1.01	0.95	0.81	0.67	1.01	1.01	0.84	0.69	1.00	1.00	0.85	0.71	1.00	1.00	0.87	0.73	0.99	0.99	0.92	0.78
	ΔT	29	28	24	21	29	27	24	20	28	27	23	20	27	26	23	20	27	25	22	19	27	25	22	19
kW	0.94	0.94	0.94	0.94	1.08	1.08	1.08	1.09	1.25	1.25	1.25	1.26	1.44	1.44	1.44	1.45	1.65	1.65	1.65	1.66	1.90	1.90	1.90	1.91	
Amps	3.9	3.9	3.9	4.0	4.4	4.4	4.4	4.4	5.0	5.0	5.0	5.0	5.7	5.7	5.7	5.7	6.6	6.6	6.6	6.6	7.8	7.8	7.7	7.8	
Hi PR	240	241	242	247	281	282	284	288	325	326	328	332	373	374	376	380	426	427	429	433	483	484	486	490	
Lo PR	123	127	134	146	129	133	140	152	134	138	145	157	138	142	149	161	142	145	153	165	146	150	158	171	
MBh	19.4	19.6	20.2	21.0	18.8	19.1	19.6	20.4	18.0	18.2	18.8	19.6	16.8	17.1	17.6	18.4	15.6	15.8	16.3	17.1	14.4	14.6	15.1	15.9	
S/T	1.01	0.99	0.85	0.71	1.01	0.99	0.85	0.71	1.01	1.01	0.87	0.73	1.00	1.00	0.89	0.75	1.00	1.00	0.91	0.77	0.99	0.99	0.99	0.81	
ΔT	28	27	23	20	28	26	23	19	27	26	22	19	26	25	22	19	26	24	21	18	26	24	21	18	
kW	0.94	0.94	0.94	0.95	1.09	1.09	1.09	1.10	1.26	1.26	1.26	1.27	1.45	1.44	1.44	1.45	1.66	1.66	1.66	1.66	1.91	1.91	1.91	1.92	
Amps	4.0	4.0	3.9	4.0	4.4	4.4	4.4	4.5	5.0	5.0	5.0	5.0	5.7	5.7	5.7	5.7	6.6	6.6	6.6	6.6	7.8	7.8	7.8	7.8	
Hi PR	242	243	245	249	283	284	286	290	327	328	330	334	375	377	378	383	428	429	431	435	486	487	489	493	
Lo PR	126	129	136	148	132	135	142	155	136	140	148	160	140	144	152	164	144	148	155	168	149	152	160	173	

IDB*: Entering Indoor Dry Bulb Temperature
 High and low pressures are measured at the liquid and suction service valves.
 Airflow may vary depending on actual ambient conditions and system operation modes.
 Shaded area is AHRI conditions
 kW = Total system power
 Amps = outdoor unit amps

EXPANDED COOLING DATA — GZV6SA2410A* / AHVE24BP1300A*

IDB*	AIRFLOW	OUTDOOR AMBIENT TEMPERATURE																																			
		65°F						75°F						85°F						95°F						105°F						115°F					
		59	63	67	71	59	63	67	71	59	63	67	71	59	63	67	71	59	63	67	71	59	63	67	71	59	63	67	71								
660	MBh	20.3	25.6	26.3	27.1	24.4	24.7	25.5	26.3	23.1	23.5	24.2	24.2	21.5	21.8	22.5	22.5	19.7	20.0	20.7	20.7	18.0	18.3	19.0	19.0												
	S/T	0.63	0.51	0.37	0.38	0.59	0.51	0.38	0.40	0.61	0.53	0.40	0.40	0.63	0.55	0.42	0.42	0.64	0.57	0.44	0.44	0.69	0.62	0.49	0.49												
	ΔT	22	19	15	15	20	18	15	15	20	18	15	15	19	17	14	14	18	16	13	13	19	17	14	14												
	kW	1.09	1.57	1.56	1.78	1.78	1.78	1.78	2.02	2.02	2.02	2.01	2.01	2.28	2.27	2.27	2.27	2.57	2.56	2.56	2.56	2.91	2.90	2.90	2.90												
	Amps	4.4	6.0	6.0	6.8	6.8	6.8	6.8	7.9	7.9	7.9	7.9	7.9	9.0	8.9	8.9	8.9	10.0	10.0	9.9	9.9	10.1	10.2	10.2	10.2												
	Hi PR	243	261	263	304	304	304	306	349	350	352	352	352	399	401	402	402	454	455	457	457	513	514	516	516												
Lo PR	120	119	126	125	125	125	132	126	130	132	132	132	130	134	141	141	133	137	145	145	138	142	150	150													
70	MBh	23.2	26.0	26.7	27.2	24.8	25.1	25.8	26.3	23.5	23.8	24.6	24.6	21.8	22.2	22.9	22.9	20.0	20.3	21.0	21.0	18.3	18.7	19.3	19.3												
	S/T	0.69	0.58	0.45	0.45	0.66	0.59	0.45	0.48	0.68	0.61	0.48	0.48	0.70	0.62	0.49	0.49	0.72	0.64	0.51	0.51	0.76	0.69	0.56	0.56												
	ΔT	21	17	14	14	19	17	13	13	18	17	13	13	18	16	13	13	17	15	12	12	17	16	13	13												
	kW	1.28	1.58	1.58	1.79	1.79	1.79	1.79	2.03	2.03	2.03	2.03	2.28	2.29	2.29	2.28	2.28	2.58	2.58	2.57	2.57	2.92	2.92	2.91	2.91												
	Amps	5.0	6.0	6.0	6.8	6.9	6.9	6.8	7.9	7.9	7.9	7.9	9.0	9.0	9.0	9.0	9.0	10.0	10.0	10.0	10.0	10.1	10.1	10.1	10.1												
	Hi PR	251	263	265	307	307	307	309	352	353	355	355	355	402	403	405	405	457	458	460	460	516	517	519	519												
Lo PR	120	121	129	129	123	127	135	128	132	140	140	140	131	136	144	144	135	139	147	147	140	144	152	152													
920	MBh	26.1	26.5	27.2	27.2	25.2	25.6	26.3	26.3	24.0	24.3	25.0	25.0	22.3	22.6	23.3	23.3	20.4	20.8	21.4	21.4	18.8	19.1	19.7	19.7												
	S/T	0.70	0.62	0.49	0.49	0.70	0.62	0.49	0.51	0.72	0.65	0.51	0.51	0.74	0.66	0.53	0.53	0.75	0.68	0.55	0.55	0.80	0.73	0.60	0.60												
	ΔT	18	16	13	13	17	16	12	12	17	15	12	12	16	15	12	12	16	14	11	11	16	15	12	12												
	kW	1.59	1.59	1.59	1.80	1.80	1.80	1.80	2.04	2.04	2.04	2.04	2.29	2.30	2.30	2.29	2.29	2.59	2.59	2.58	2.58	2.93	2.93	2.92	2.92												
	Amps	6.1	6.1	6.1	6.9	6.9	6.9	6.9	7.9	7.9	7.9	7.9	9.0	9.0	9.0	9.0	9.0	10.0	10.0	10.0	10.0	10.1	10.1	10.1	10.1												
	Hi PR	265	266	268	310	308	310	311	355	356	358	358	358	405	406	408	408	459	461	463	463	518	520	522	522												
Lo PR	119	124	131	131	125	129	137	130	134	142	142	142	134	138	146	146	137	142	150	150	142	146	154	154													

680	MBh	20.3	25.6	26.3	27.5	24.4	24.7	25.5	26.6	23.1	23.5	24.2	25.3	21.5	21.8	22.5	23.6	19.7	20.0	20.7	21.7	18.0	18.3	19.0	20.0	
	S/T	0.77	0.64	0.50	0.36	0.71	0.64	0.51	0.36	0.74	0.66	0.53	0.39	0.75	0.68	0.54	0.41	0.77	0.70	0.56	0.42	0.99	0.74	0.61	0.47	
	ΔT	26	23	19	16	24	22	19	15	24	22	18	15	23	21	18	14	14	22	20	17	14	22	20	17	14
	kW	1.09	1.57	1.56	1.58	1.78	1.78	1.77	1.79	2.02	2.01	2.01	2.03	2.27	2.27	2.27	2.29	2.56	2.56	2.56	2.57	2.90	2.90	2.90	2.91	
	Amps	4.4	6.0	6.0	6.0	6.8	6.8	6.8	6.8	7.8	7.8	7.8	7.9	8.9	8.9	8.9	9.0	10.0	9.9	9.9	10.0	10.2	10.2	10.2	10.1	
	Hi PR	244	261	263	267	303	304	306	311	349	351	352	357	357	400	401	403	407	454	455	457	462	513	514	516	521
Lo PR	120	119	126	138	121	125	133	144	126	130	138	149	149	130	134	142	153	133	138	145	157	138	142	150	162	
75	MBh	23.2	26.0	26.7	27.9	24.8	25.1	25.9	27.0	23.5	23.9	24.6	25.7	21.9	22.2	22.9	24.0	20.0	20.3	21.0	22.1	18.4	18.7	19.3	20.3	
	S/T	0.83	0.71	0.58	0.44	0.79	0.71	0.58	0.44	0.81	0.73	0.60	0.46	0.82	0.75	0.62	0.48	1.00	0.77	0.64	0.50	0.99	0.82	0.68	0.55	
	ΔT	25	21	18	14	23	21	17	14	22	20	17	14	21	20	16	13	13	20	19	16	12	21	19	16	13
	kW	1.28	1.58	1.58	1.59	1.79	1.79	1.79	1.80	2.03	2.03	2.02	2.04	2.29	2.29	2.28	2.30	2.58	2.58	2.57	2.59	2.92	2.92	2.91	2.93	
	Amps	5.0	6.0	6.0	6.1	6.9	6.8	6.8	6.9	7.9	7.9	7.8	7.9	9.0	9.0	9.0	9.0	10.0	10.0	10.0	10.0	10.1	10.1	10.1	10.1	
	Hi PR	251	264	265	270	306	307	309	314	352	353	355	360	360	402	403	405	410	457	458	460	465	516	517	519	524
Lo PR	120	121	129	140	123	127	135	146	128	132	140	151	151	132	136	144	155	135	140	147	159	140	144	152	164	
920	MBh	26.1	26.5	27.2	28.4	25.2	25.6	26.3	27.5	24.0	24.3	25.0	26.1	22.3	22.6	23.3	24.4	20.5	20.8	21.5	22.5	18.8	19.1	19.8	20.8	
	S/T	0.82	0.75	0.61	0.47	0.83	0.75	0.62	0.48	0.85	0.77	0.64	0.50	1.00	0.79	0.66	0.52	1.00	0.81	0.67	0.54	0.99	0.85	0.72	0.58	
	ΔT	22	20	17	13	21	20	16	13	21	19	16	13	20	19	15	12	19	18	15	11	20	18	15	12	
	kW	1.59	1.59	1.59	1.60	1.80	1.80	1.80	1.81	2.04	2.04	2.04	2.05	2.30	2.30	2.29	2.31	2.59	2.59	2.58	2.60	2.93	2.93	2.92	2.94	
	Amps	6.1	6.1	6.1	6.1	6.9	6.9	6.9	7.0	7.9	7.9	7.9	8.0	9.0	9.0	9.0	9.1	10.0	10.0	10.0	10.1	10.1	10.1	10.1	10.1	
	Hi PR	265	266	268	273	309	310	312	316	355	356	358	362	362	405	406	408	413	460	461	463	467	519	520	522	526
Lo PR	119	124	131	142	125	129	137	149	130	134	142	154	154	134	138	146	158	137	142	150	162	142	147	154	167	

kW = Total system power
Amps = outdoor unit amps

Shaded area is ACCA (TVA) conditions

IDB*: Entering Indoor Dry Bulb Temperature
High and low pressures are measured at the liquid and suction service valves.
Airflow may vary depending on actual ambient conditions and system operation modes.

EXPANDED COOLING DATA — GZV6SA2410A* / AHVE24BP1300A*(CONT.)

IDB*		OUTDOOR AMBIENT TEMPERATURE																																			
		65°F						75°F						85°F						95°F						105°F						115°F					
		AIRFLOW		59	63	67	71	59		63	67	71	59		63	67	71	59		63	67	71	59		63	67	71	59		63	67	71					
		ENTERING INDOOR WET BULB TEMPERATURE																																			
680	MBh	21.9	25.7	26.5	27.6	24.5	24.9	25.6	26.7	23.3	23.6	24.3	25.4	21.6	21.9	22.6	23.7	19.8	20.1	20.8	21.8	18.1	18.4	19.1	20.1	19.8	20.1	20.8	21.8	18.1	18.4	19.1	20.1				
	S/T	0.89	0.76	0.63	0.48	0.84	0.76	0.63	0.49	1.01	0.78	0.65	0.51	1.00	0.80	0.67	0.53	1.00	0.82	0.69	0.55	0.99	0.86	0.73	0.59	1.00	0.82	0.69	0.55	0.99	0.86	0.73	0.59				
	ΔT	31	27	23	20	28	26	23	19	27	26	22	19	26	25	21	18	25	24	21	17	26	24	21	18	25	24	21	17	26	24	21	18				
	kW	1.19	1.57	1.56	1.58	1.78	1.78	1.78	1.79	1.79	2.02	2.02	2.01	2.03	2.28	2.27	2.27	2.29	2.56	2.56	2.56	2.58	2.90	2.90	2.90	2.92	2.56	2.56	2.56	2.58	2.90	2.90	2.90	2.92			
	Amps	4.7	6.0	6.0	6.0	6.8	6.8	6.8	6.9	6.9	7.8	7.8	7.8	7.9	8.9	8.9	8.9	9.0	10.0	10.0	10.0	10.0	10.2	10.2	10.2	10.1	10.0	10.0	10.0	10.0	10.2	10.2	10.2	10.1			
Hi PR	247	261	263	268	304	305	307	311	350	351	353	358	358	400	401	403	408	455	456	458	462	514	515	517	522	455	456	458	462	514	515	517	522				
Lo PR	120	120	127	138	121	126	133	144	126	131	138	150	152	130	134	142	154	134	138	146	158	138	143	151	163	134	138	146	158	138	143	151	163				
80	MBh	25.2	26.1	26.9	28.0	24.9	25.2	26.0	27.1	23.6	24.0	24.7	25.8	22.0	22.3	23.2	24.1	20.1	20.5	21.1	22.2	18.5	18.8	19.4	20.5	20.1	20.5	21.1	22.2	18.5	18.8	19.4	20.5				
	S/T	0.95	0.83	0.70	0.56	1.01	0.84	0.70	0.56	1.01	0.86	0.72	0.58	1.00	0.87	0.74	0.60	1.00	0.89	0.76	0.62	0.99	0.94	0.81	0.67	1.00	0.89	0.76	0.62	0.99	0.94	0.81	0.67				
	ΔT	30	25	22	18	27	25	21	18	26	24	21	18	25	23	20	17	24	23	19	16	25	23	20	17	24	23	19	16	25	23	20	17				
	kW	1.42	1.58	1.58	1.59	1.79	1.79	1.79	1.80	2.03	2.03	2.03	2.04	2.29	2.29	2.29	2.30	2.58	2.58	2.57	2.59	2.92	2.92	2.92	2.93	2.58	2.58	2.57	2.59	2.92	2.92	2.91	2.93				
	Amps	5.5	6.0	6.0	6.1	6.9	6.9	6.8	6.9	7.9	7.9	7.9	7.9	9.0	9.0	9.0	9.1	10.0	10.0	10.0	10.0	10.1	10.1	10.1	10.1	10.0	10.0	10.0	10.0	10.1	10.1	10.1	10.1				
Hi PR	255	264	266	270	306	308	309	314	353	354	356	360	360	403	404	407	411	458	459	461	465	517	518	520	524	458	459	461	465	517	518	520	524				
Lo PR	119	122	129	140	123	128	135	147	128	133	140	152	152	132	136	146	156	136	140	148	160	140	145	153	165	136	140	148	160	140	145	153	165				
920	MBh	26.2	26.6	27.4	28.5	25.4	25.7	26.5	27.6	24.1	24.4	25.2	26.3	22.4	22.8	23.5	24.5	20.6	20.9	21.6	22.6	18.9	19.2	19.9	20.9	20.6	20.9	21.6	22.6	18.9	19.2	19.9	20.9				
	S/T	0.95	0.87	0.74	0.60	1.01	0.87	0.74	0.60	1.01	0.89	0.76	0.62	1.00	0.91	0.78	0.64	1.00	0.93	0.80	0.66	0.99	0.99	0.84	0.70	1.00	0.93	0.80	0.66	0.99	0.99	0.84	0.70				
	ΔT	26	24	21	17	25	24	20	17	25	23	20	17	24	22	19	16	23	22	18	15	24	22	19	16	23	22	18	15	24	22	19	16				
	kW	1.59	1.59	1.59	1.60	1.80	1.80	1.80	1.81	2.04	2.04	2.04	2.05	2.30	2.30	2.29	2.31	2.59	2.59	2.58	2.60	2.93	2.93	2.92	2.94	2.59	2.59	2.58	2.60	2.93	2.93	2.92	2.94				
	Amps	6.1	6.1	6.1	6.1	6.9	6.9	6.9	7.0	7.9	7.9	7.9	8.0	9.1	9.0	9.0	9.1	10.0	10.0	10.0	10.1	10.1	10.1	10.1	10.1	10.0	10.0	10.0	10.0	10.1	10.1	10.1	10.1				
Hi PR	266	267	269	273	309	310	312	317	355	356	358	363	363	405	407	408	413	460	461	463	468	519	520	522	527	460	461	463	468	519	520	522	527				
Lo PR	120	124	131	143	126	130	138	149	130	135	143	154	154	134	139	146	158	138	142	150	162	142	147	155	167	138	142	150	162	142	147	155	167				
680	MBh	23.4	26.1	26.9	28.1	24.9	25.3	26.0	27.1	23.7	24.0	24.7	25.8	22.0	22.3	23.0	24.1	20.2	20.5	21.2	22.2	18.5	18.8	19.5	20.5	20.2	20.5	21.2	22.2	18.5	18.8	19.5	20.5				
	S/T	1.01	0.86	0.73	0.58	1.01	0.86	0.73	0.59	1.01	0.88	0.75	0.61	1.00	1.00	0.77	0.63	1.00	1.00	0.78	0.65	0.99	0.99	0.83	0.69	1.00	1.00	0.78	0.65	0.99	0.99	0.83	0.69				
	ΔT	35	31	27	23	31	30	26	23	31	29	26	22	30	28	25	22	29	27	24	21	29	27	24	21	29	27	24	21	29	27	24	21				
	kW	1.27	1.57	1.57	1.58	1.78	1.78	1.78	1.79	2.02	2.02	2.02	2.03	2.28	2.28	2.27	2.29	2.57	2.57	2.56	2.58	2.91	2.91	2.90	2.92	2.57	2.57	2.56	2.58	2.91	2.91	2.90	2.92				
	Amps	5.0	6.0	6.0	6.0	6.8	6.8	6.8	6.9	7.8	7.8	7.8	7.9	9.0	9.0	9.0	9.0	10.0	10.0	10.0	10.0	10.1	10.1	10.1	10.1	10.0	10.0	10.0	10.0	10.1	10.1	10.1	10.1				
Hi PR	250	263	265	269	305	306	308	313	351	352	354	359	359	401	402	404	409	456	457	459	464	515	516	518	523	456	457	459	464	515	516	518	523				
Lo PR	120	121	129	140	123	127	135	146	128	132	140	152	152	132	136	144	156	135	140	148	159	140	144	152	164	135	140	148	159	140	144	152	164				
85	MBh	26.2	26.5	27.3	28.4	25.3	25.7	26.4	27.5	24.0	24.4	25.1	26.2	22.4	22.7	23.4	24.5	20.5	20.8	21.5	22.6	18.8	19.2	19.8	20.8	20.5	20.8	21.5	22.6	18.8	19.2	19.8	20.8				
	S/T	1.01	0.93	0.80	0.66	1.01	0.94	0.80	0.66	1.01	0.96	0.82	0.68	1.00	1.00	0.84	0.70	1.00	1.00	0.86	0.72	0.99	0.99	0.90	0.77	1.00	1.00	0.86	0.72	0.99	0.99	0.90	0.77				
	ΔT	31	29	26	22	30	28	25	21	30	28	25	21	29	27	24	20	27	26	23	19	28	26	23	20	27	26	23	19	28	26	23	20				
	kW	1.59	1.58	1.58	1.60	1.80	1.80	1.79	1.81	2.03	2.03	2.03	2.05	2.29	2.29	2.29	2.30	2.58	2.58	2.58	2.59	2.92	2.92	2.92	2.93	2.58	2.58	2.58	2.59	2.92	2.92	2.92	2.93				
	Amps	6.1	6.1	6.0	6.1	6.9	6.9	6.9	6.9	7.9	7.9	7.9	7.9	9.0	9.0	9.0	9.1	10.0	10.0	10.0	10.0	10.1	10.1	10.1	10.1	10.0	10.0	10.0	10.0	10.1	10.1	10.1	10.1				
Hi PR	264	265	267	272	308	309	311	315	354	355	357	361	361	404	405	407	412	459	460	462	467	518	519	521	526	459	460	462	467	518	519	521	526				
Lo PR	119	124	131	142	125	129	137	149	130	134	142	154	154	134	138	146	158	137	142	150	162	142	146	154	167	137	142	150	162	142	146	154	167				
920	MBh	26.7	27.0	27.8	28.9	25.8	26.1	26.9	28.0	24.5	24.8	25.6	26.7	22.8	23.2	23.9	24.9	21.0	21.3	22.0	23.0	19.3	19.6	20.3	21.3	21.0	21.3	22.0	23.0	19.3	19.6	20.3	21.3				
	S/T	1.01	0.97	0.84	0.70	1.01	0.97	0.84	0.70	1.01	1.01	0.86	0.72	1.00	1.00	0.88	0.74	1.00	1.00	0.89	0.76	0.99	0.99	0.94	0.80	1.00	1.00	0.89	0.76	0.99	0.99	0.94	0.80				
	ΔT	30	28	25	21	29	27	24	20	29	27	23	20	27	26	23	19	26	25	22	18	27	25	22	19	26	25	22	18	27	25	22	19				
	kW	1.60	1.59	1.59	1.61	1.81	1.81	1.80	1.82	2.05	2.04	2.04	2.06	2.30	2.30	2.30	2.31	2.59	2.59	2.59	2.60	2.93	2.93	2.93	2.94	2.59	2.59	2.59	2.60	2.93	2.93	2.93	2.94				
	Amps	6.1	6.1	6.1	6.1	6.9	6.9	6.9	7.0	7.9	7.9	7.9	8.0	9.1	9.1	9.0	9.1	10.0	10.0	10.0	10.1	10.1	10.1	10.1	10.1	10.0	10.0	10.0	10.1	10.1	10.1	10.1	10.1				
Hi PR	267	268	270	274	310	311	313	318	356	358	359	364	364	407	408	410	414	461	463	464	469	520	522	524	528	461	463	464	469	520	522	524	528				
Lo PR	122	126	133	145	127	132	139	151																													

EXPANDED COOLING DATA — GZV6SA3010A* / AHVE36CP1300A*

IDB*	AIRFLOW	OUTDOOR AMBIENT TEMPERATURE																																			
		65°F						75°F						85°F						95°F						105°F						115°F					
		59	63	67	71	59	63	67	71	59	63	67	71	59	63	67	71	59	63	67	71	59	63	67	71	59	63	67	71	59	63	67	71				
860	MBh	31.0	31.3	32.2	31.2	29.8	30.3	31.2	29.6	28.3	28.7	29.6	26.3	26.7	27.5	24.0	24.4	25.3	22.0	22.4	23.2																
	S/T	0.60	0.52	0.38	0.39	0.60	0.52	0.39	0.41	0.63	0.55	0.41	0.65	0.57	0.44	0.68	0.60	0.46	0.73	0.66	0.52																
	ΔT	22	18	15	14	20	18	14	14	19	18	14	19	17	14	18	16	13	18	17	14																
	kW	1.82	2.03	2.02	2.27	2.27	2.27	2.27	2.54	2.54	2.54	2.54	2.83	2.83	2.83	3.15	3.15	3.15	3.53	3.52	3.52																
	Amps	6.7	7.6	7.5	8.6	8.6	8.6	8.6	9.8	9.8	9.8	9.8	11.0	11.0	11.0	12.4	12.4	12.4	13.9	13.9	13.9																
	Hi PR	274	275	277	320	317	318	320	365	362	364	365	411	412	414	464	465	467	520	521	523																
	Lo PR	119	120	126	133	123	126	133	138	127	131	138	131	135	142	135	138	145	140	143	150																
	MBh	31.5	31.8	32.7	31.6	30.3	30.7	31.6	28.0	28.8	29.2	30.1	26.7	27.1	28.0	24.5	24.9	25.7	22.4	22.8	23.6																
	S/T	0.68	0.59	0.46	0.46	0.68	0.60	0.46	0.49	0.71	0.63	0.49	0.73	0.65	0.51	0.76	0.68	0.54	0.81	0.73	0.59																
	ΔT	21	17	13	13	18	16	13	13	18	16	13	17	16	12	17	15	12	17	16	13																
kW	1.84	2.04	2.04	2.28	2.29	2.29	2.28	2.55	2.56	2.56	2.55	2.85	2.85	2.84	3.17	3.17	3.16	3.54	3.54	3.54																	
Amps	6.8	7.6	7.6	8.7	8.7	8.7	8.7	9.9	9.9	9.9	9.8	11.1	11.1	11.1	12.5	12.4	12.4	14.0	14.0	14.0																	
Hi PR	277	278	280	323	320	321	323	368	365	366	368	414	415	417	467	468	470	523	524	526																	
Lo PR	121	122	129	135	125	128	135	140	129	133	140	133	137	144	137	140	147	142	145	152																	
MBh	32.0	32.4	33.3	32.2	30.9	31.3	32.2	28.5	29.3	29.7	30.6	27.3	27.7	28.5	25.0	25.4	26.2	23.0	23.3	24.2																	
S/T	0.71	0.63	0.49	0.50	0.72	0.64	0.50	0.53	0.74	0.67	0.53	0.77	0.69	0.55	0.79	0.72	0.58	1.01	0.77	0.63																	
ΔT	18	16	12	12	17	15	12	12	17	15	12	16	15	11	16	14	11	16	15	12																	
kW	2.06	2.06	2.05	2.30	2.30	2.30	2.30	2.57	2.57	2.57	2.57	2.86	2.86	2.86	3.18	3.18	3.18	3.55	3.55	3.55																	
Amps	7.7	7.7	7.7	8.7	8.8	8.7	8.7	9.9	9.9	9.9	9.9	11.2	11.1	11.1	12.5	12.5	12.5	14.1	14.1	14.0																	
Hi PR	279	280	282	326	323	324	326	371	368	369	371	417	418	420	469	471	472	526	527	529																	
Lo PR	121	124	131	137	127	130	137	142	132	135	142	136	139	146	139	143	150	144	147	155																	
860	MBh	31.0	31.3	32.3	31.2	29.9	30.3	31.2	29.6	28.3	28.7	29.6	26.3	26.7	27.6	24.1	24.5	25.3	22.0	22.4	23.2																
	S/T	0.73	0.64	0.51	0.37	0.73	0.65	0.52	0.37	0.76	0.68	0.55	0.78	0.71	0.57	1.01	0.73	0.59	1.01	0.79	0.65																
	ΔT	27	22	19	15	24	22	18	15	23	21	18	22	21	17	21	20	17	22	20	17																
	kW	1.82	2.03	2.02	2.04	2.27	2.27	2.27	2.29	2.54	2.54	2.54	2.83	2.83	2.83	3.15	3.15	3.14	3.52	3.52	3.52																
	Amps	6.7	7.5	7.5	7.6	8.6	8.6	8.6	8.7	9.8	9.8	9.8	11.0	11.0	11.0	12.4	12.4	12.4	13.9	13.9	13.9																
	Hi PR	274	275	277	282	317	318	320	325	363	364	366	411	413	415	464	465	467	520	521	523																
	Lo PR	119	120	127	138	123	126	133	144	127	131	138	131	135	142	135	138	145	140	143	150																
	MBh	31.5	31.8	32.7	34.2	30.3	30.8	31.7	33.0	28.8	29.2	30.1	26.7	27.1	28.0	24.5	24.9	25.7	22.5	22.8	23.6																
	S/T	0.81	0.72	0.58	0.44	0.81	0.73	0.59	0.45	0.84	0.76	0.62	1.00	0.78	0.64	1.01	0.81	0.67	1.01	0.87	0.73																
	ΔT	25	21	18	14	22	20	17	14	22	20	17	21	19	16	20	19	15	21	19	16																
kW	1.84	2.04	2.04	2.06	2.29	2.29	2.28	2.30	2.56	2.56	2.55	2.85	2.85	2.84	3.17	3.17	3.16	3.54	3.54	3.53																	
Amps	6.8	7.6	7.6	7.7	8.7	8.7	8.7	8.7	9.9	9.9	9.8	11.1	11.1	11.1	12.4	12.4	12.4	14.0	14.0	14.0																	
Hi PR	277	278	280	285	320	321	323	328	365	367	368	414	415	417	467	468	470	523	524	526																	
Lo PR	121	122	129	140	125	128	135	146	130	133	140	133	137	144	137	140	147	142	145	152																	
MBh	32.0	32.4	33.3	34.8	30.9	31.3	32.2	33.6	29.4	29.8	30.6	27.3	27.7	28.6	25.0	25.4	26.3	23.0	23.4	24.2																	
S/T	0.83	0.76	0.62	0.48	0.85	0.77	0.63	0.49	0.87	0.80	0.66	1.00	0.82	0.68	1.01	0.85	0.71	1.01	0.90	0.77																	
ΔT	22	20	16	13	21	19	16	12	21	19	16	20	18	15	19	18	14	20	18	15																	
kW	2.06	2.06	2.05	2.07	2.30	2.30	2.30	2.32	2.57	2.57	2.57	2.86	2.86	2.85	3.18	3.18	3.17	3.55	3.55	3.57																	
Amps	7.7	7.7	7.7	7.7	8.7	8.7	8.7	8.8	9.9	9.9	9.9	11.1	11.1	11.1	12.5	12.5	12.5	14.1	14.0	14.0																	
Hi PR	279	281	283	287	323	324	326	331	368	369	371	417	418	420	470	471	473	526	527	529																	
Lo PR	121	124	131	142	127	130	137	149	132	135	142	136	139	146	139	143	150	144	147	155																	

kW = Total system power
Amps = outdoor unit amps

Shaded area is ACCA (TVA) conditions

IDB*: Entering Indoor Dry Bulb Temperature
High and low pressures are measured at the liquid and suction service valves.
Airflow may vary depending on actual ambient conditions and system operation modes.

EXPANDED COOLING DATA — GZV6SA3010A* / AHVE36CP1300A** (CONT.)

IDB*	AIRFLOW	OUTDOOR AMBIENT TEMPERATURE																																			
		65°F						75°F						85°F						95°F						105°F						115°F					
		59	63	67	71	75	79	59	63	67	71	75	79	59	63	67	71	75	79	59	63	67	71	75	79	59	63	67	71	75	79	59	63	67	71	75	79
																			ENTERING INDOOR WET BULB TEMPERATURE																		
	MBh	31.2	31.5	32.4	33.8	30.0	30.4	31.3	32.7	28.5	28.9	29.8	31.1	26.4	26.9	27.7	29.0	24.2	24.6	25.4	26.7	22.2	22.6	23.4	24.6	20.0	20.4	21.2	22.5	18.0	18.4	19.2	20.5	16.0	16.4	17.2	18.5
	S/T	0.86	0.77	0.63	0.49	0.99	0.78	0.64	0.50	1.00	0.81	0.67	0.53	1.00	0.83	0.70	0.55	1.01	0.86	0.72	0.58	1.01	0.92	0.78	0.63	1.01	0.86	0.72	0.58	1.01	0.86	0.72	0.58	1.01	0.86	0.72	0.58
	ΔT	31	26	23	19	27	26	22	19	27	25	22	19	26	24	21	18	25	23	20	17	25	23	20	17	25	23	20	17	25	23	20	17	25	23	20	17
860	kW	1.82	2.03	2.02	2.04	2.27	2.27	2.27	2.29	2.54	2.54	2.54	2.56	2.83	2.83	2.83	2.85	3.15	3.15	3.15	3.17	3.53	3.52	3.52	3.54	3.91	3.91	3.91	3.93	4.30	4.30	4.30	4.32	4.70	4.70	4.70	4.72
	Amps	6.7	7.6	7.5	7.6	8.6	8.6	8.6	8.7	9.8	9.8	9.8	9.8	11.0	11.0	11.0	11.1	12.4	12.4	12.4	12.4	13.9	13.9	13.9	14.0	15.3	15.3	15.3	15.4	16.7	16.7	16.7	16.8	18.1	18.1	18.1	18.2
	Hi PR	274	276	278	282	318	319	321	326	363	364	366	371	412	413	415	420	465	466	468	472	521	522	524	529	588	589	591	596	655	656	658	663	722	723	725	730
	Lo PR	120	120	127	138	123	126	133	144	128	131	138	150	132	135	142	154	135	139	146	158	140	144	151	163	144	148	155	167	150	154	161	173	160	164	171	183
	MBh	31.5	32.0	32.9	34.3	30.5	30.9	31.8	33.2	28.9	29.4	30.2	31.6	26.9	27.3	28.4	29.5	24.6	25.0	25.9	27.1	22.6	23.0	23.8	25.0	20.6	21.0	21.8	23.1	18.6	19.0	19.8	21.1	16.6	17.0	17.8	19.1
	S/T	0.92	0.85	0.71	0.57	0.99	0.86	0.72	0.58	1.00	0.89	0.75	0.60	1.00	0.91	0.77	0.63	1.01	0.94	0.80	0.65	1.01	0.91	0.77	0.63	1.01	0.94	0.80	0.65	1.01	0.94	0.80	0.65	1.01	0.94	0.80	0.65
	ΔT	27	25	22	18	26	24	21	18	26	24	21	17	25	23	20	17	24	22	19	16	24	22	19	16	24	22	19	16	24	22	19	16	24	22	19	16
80	kW	2.05	2.04	2.04	2.06	2.29	2.29	2.28	2.30	2.56	2.56	2.55	2.57	2.85	2.85	2.85	2.86	3.17	3.17	3.16	3.18	3.54	3.54	3.54	3.55	3.91	3.91	3.91	3.93	4.30	4.30	4.30	4.32	4.70	4.70	4.70	4.72
	Amps	7.6	7.6	7.6	7.7	8.7	8.7	8.7	8.8	9.9	9.9	9.9	9.9	11.1	11.1	11.1	11.2	12.5	12.5	12.4	12.5	14.0	14.0	14.0	14.1	15.4	15.4	15.4	15.5	16.8	16.8	16.8	16.9	18.2	18.2	18.2	18.3
	Hi PR	277	278	280	285	321	322	324	328	366	367	369	374	415	416	418	423	467	469	470	475	524	525	527	531	589	590	592	597	656	657	659	664	724	725	727	732
	Lo PR	119	122	129	140	125	128	135	147	130	133	140	152	134	137	146	156	137	141	148	160	142	146	153	165	146	150	157	169	152	156	163	175	160	164	171	183
	MBh	32.1	32.6	33.5	34.9	31.1	31.5	32.4	33.8	29.5	29.9	30.8	32.1	27.4	27.8	28.7	30.0	25.2	25.6	26.4	27.7	23.1	23.5	24.3	25.5	21.1	21.5	22.3	23.6	19.1	19.5	20.3	21.6	17.1	17.5	18.3	19.6
	S/T	0.96	0.88	0.75	0.61	0.99	0.89	0.76	0.61	1.00	0.92	0.79	0.64	1.00	0.95	0.81	0.67	1.01	0.98	0.84	0.69	1.01	0.98	0.84	0.69	1.01	0.98	0.84	0.69	1.01	0.98	0.84	0.69	1.01	0.98	0.84	0.69
	ΔT	26	24	20	17	25	23	20	16	25	23	20	16	24	22	19	16	23	21	18	15	23	21	18	15	23	21	18	15	23	21	18	15	23	21	18	15
1160	kW	2.06	2.06	2.05	2.07	2.30	2.30	2.30	2.32	2.57	2.57	2.57	2.59	2.86	2.86	2.86	2.88	3.18	3.18	3.18	3.19	3.55	3.55	3.55	3.57	3.91	3.91	3.91	3.93	4.30	4.30	4.30	4.32	4.70	4.70	4.70	4.72
	Amps	7.7	7.7	7.7	7.8	8.8	8.8	8.8	8.8	9.9	9.9	9.9	10.0	11.2	11.1	11.1	11.2	12.5	12.5	12.5	12.6	14.1	14.1	14.1	14.1	15.5	15.5	15.5	15.6	16.9	16.9	16.9	17.0	18.3	18.3	18.3	18.4
	Hi PR	280	281	283	288	323	324	326	331	369	370	372	376	417	419	421	425	470	471	473	478	526	527	529	534	592	593	595	600	659	660	662	667	728	729	731	736
	Lo PR	122	125	132	143	127	131	138	149	132	136	143	154	136	139	147	158	140	143	150	162	144	148	155	167	148	152	159	171	154	158	165	177	160	164	171	183

	MBh	31.7	32.0	32.9	34.4	30.5	31.0	31.9	33.2	29.0	29.4	30.3	31.6	26.9	27.3	28.2	29.5	24.7	25.1	25.9	27.2	22.6	23.0	23.8	25.1	20.6	21.0	21.8	23.1	18.6	19.0	19.8	21.1
	S/T	0.99	0.87	0.74	0.59	0.99	0.88	0.75	0.60	1.00	0.91	0.78	0.63	1.00	1.00	0.80	0.65	1.01	1.01	0.82	0.68	1.01	1.01	0.88	0.73	1.01	1.01	0.82	0.68	1.01	1.01	0.82	0.68
	ΔT	35	30	27	23	31	29	26	22	30	29	25	22	29	28	25	21	28	27	24	20	29	27	24	21	28	27	24	20	27	26	23	20
860	kW	1.83	2.03	2.03	2.05	2.28	2.28	2.27	2.29	2.55	2.55	2.54	2.56	2.84	2.84	2.83	2.85	3.16	3.16	3.15	3.17	3.53	3.53	3.52	3.54	3.91	3.91	3.91	3.93	4.30	4.30	4.30	4.32
	Amps	6.8	7.6	7.6	7.6	8.6	8.6	8.6	8.7	9.8	9.8	9.8	9.9	11.1	11.0	11.0	11.1	12.4	12.4	12.4	12.5	14.0	14.0	14.0	14.0	15.4	15.4	15.4	15.5	16.8	16.8	16.8	16.9
	Hi PR	276	277	279	284	319	320	322	327	364	366	367	372	413	414	416	421	466	467	469	474	522	523	525	530	588	589	591	596	655	656	658	663
	Lo PR	122	122	129	140	125	128	135	146	130	133	140	151	134	137	144	156	137	141	148	160	142	146	153	164	146	150	157	169	152	156	163	175
	MBh	32.1	32.5	33.4	34.8	31.0	31.4	32.3	33.7	29.4	29.8	30.7	32.1	27.4	27.8	28.6	29.9	25.1	25.5	26.3	27.6	23.1	23.4	24.2	25.5	21.1	21.5	22.3	23.6	19.1	19.5	20.3	21.6
	S/T	0.99	0.95	0.81	0.67	0.99	0.96	0.82	0.68	1.00	0.99	0.85	0.71	1.00	1.00	0.88	0.73	1.01	1.01	0.90	0.76	1.01	1.01	0.96	0.81	1.01	1.01	0.90	0.76	1.01	1.01	0.90	0.76
	ΔT	30	29	25	22	30	28	25	21	29	27	24	21	28	26	23	20	27	25	22	19	27	26	23	20	27	26	23	20	27	26	23	20
85	kW	2.05	2.05	2.04	2.06	2.30	2.29	2.29	2.31	2.57	2.56	2.56	2.58	2.85	2.85	2.85	2.87	3.17	3.17	3.17	3.19	3.55	3.54	3.54	3.56	3.91	3.91	3.91	3.93	4.30	4.30	4.30	4.32
	Amps	7.7	7.6	7.6	7.7	8.7	8.7	8.7	8.8	9.9	9.9	9.9	9.9	11.1	11.1	11.1	11.2	12.5	12.5	12.4	12.5	14.0	14.0	14.0	14.1	15.4	15.4	15.4	15.5	16.8	16.8	16.8	16.9
	Hi PR	279	280	282	286	322	323	325	330	367	368	370	375	416	417	419	424	469	470	472	477	525	526	528	533	592	593	595	600	659	660	662	667
	Lo PR	121	124	131	142	127	130	137	149	132	135	142	154	136	139	146	158	139	143	150	162	144	148	155	167	148	152	159	171	154	158	165	177
	MBh	32.7	33.1	34.0	35.4	31.6	32.0	32.9	34.3	30.0	30.4	31.3	32.6	27.9	28.3	29.2	30.5	25.6	26.0	26.9	28.1	23.6	24.0	24.8	26.0	21.6	22.0	22.8	24.1	19.6	20.0	20.8	22.1
	S/T	0.99	0.99	0.85	0.71	0.99	0.99	0.86	0.72	1.00	1.00	0.89	0.75	1.00	1.00	0.91	0.77	1.01	1.01	0.94	0.79	1.01	1.01	0.96	0.81	1.01	1.01	0.94	0.79	1.01	1.01	0.94	0.79
	ΔT	29	28	24	21																												

EXPANDED COOLING DATA — GZV6SA3610A* / AHVE36CP1300A*

IDB*	AIRFLOW	OUTDOOR AMBIENT TEMPERATURE																																			
		65°F						75°F						85°F						95°F						105°F						115°F					
		59	63	67	71	59	63	67	71	59	63	67	71	59	63	67	71	59	63	67	71	59	63	67	71	59	63	67	71	59	63	67	71				
70	MBh	30.3	34.1	39.0	36.0	36.5	37.6	34.0	34.5	35.5	31.4	31.9	32.9	28.6	29.1	30.1	26.7	27.1	28.1	28.6	29.1	30.1	26.7	27.1	28.1	28.6	29.1	30.1	26.7	27.1	28.1	28.6	29.1	30.1			
	S/T	0.65	0.55	0.39	0.61	0.53	0.39	0.63	0.56	0.42	0.65	0.57	0.44	0.67	0.59	0.46	1.00	0.66	0.52	0.73	0.65	0.51	0.67	0.59	0.46	0.75	0.67	0.53	1.00	0.74	0.60	0.73	0.65	0.51			
	ΔT	21	20	14	19	17	14	19	17	14	18	16	13	17	15	12	20	18	15	16	14	11	17	15	12	16	14	11	18	17	13	16	14	11			
	kW	1.75	1.99	2.68	3.03	3.03	3.03	3.42	3.42	3.41	3.83	3.83	3.83	4.30	4.29	4.29	4.38	4.38	4.37	4.32	4.32	4.31	4.30	4.29	4.29	4.32	4.32	4.31	4.40	4.40	4.39	4.32	4.32	4.31			
	Amps	6.3	7.2	10.0	11.5	11.4	11.4	13.1	13.1	13.0	14.8	14.8	14.7	16.6	16.6	16.6	16.9	16.9	16.9	16.6	16.6	16.7	16.7	16.6	16.6	16.7	16.7	16.7	17.0	17.0	16.9	16.7	16.7	16.6			
	Hi PR	282	287	295	333	334	336	375	376	378	420	421	423	466	468	469	514	515	517	466	468	469	466	468	469	514	515	517	514	515	517	514	515	517			
	Lo PR	119	119	121	120	123	129	127	130	136	133	135	142	139	141	148	147	151	151	148	148	149	147	148	149	147	148	149	151	151	148	148	149	147			
	MBh	32.5	37.5	39.6	36.5	37.0	38.1	34.5	35.0	36.1	32.0	32.5	33.5	29.2	29.6	30.6	27.2	27.6	28.6	29.2	29.6	30.6	27.2	27.6	28.6	29.2	29.6	30.6	27.2	27.6	28.6	29.2	29.6	30.6			
	S/T	0.73	0.63	0.47	0.69	0.61	0.47	0.71	0.63	0.49	0.73	0.65	0.51	0.75	0.67	0.53	1.00	0.66	0.52	0.73	0.65	0.51	0.75	0.67	0.53	0.73	0.65	0.51	1.00	0.74	0.60	0.73	0.65	0.51			
	ΔT	20	18	13	18	16	13	17	16	12	16	15	12	16	14	11	20	18	15	16	14	11	17	15	12	16	14	11	18	17	13	16	14	11			
kW	1.89	2.27	2.70	3.06	3.05	3.05	3.44	3.44	3.43	3.86	3.85	3.85	4.32	4.32	4.31	4.40	4.40	4.39	4.32	4.32	4.31	4.30	4.29	4.29	4.32	4.32	4.31	4.40	4.40	4.39	4.32	4.32	4.31				
Amps	6.8	8.3	10.0	11.6	11.5	11.5	13.2	13.2	13.2	14.9	14.9	14.9	16.8	16.8	16.7	16.9	16.9	16.9	16.6	16.6	16.7	16.7	16.6	16.6	16.7	16.7	16.7	17.0	17.0	16.9	16.7	16.7	16.6				
Hi PR	287	293	298	336	337	339	378	379	381	422	424	426	469	470	472	519	521	522	469	470	472	469	470	472	519	521	522	519	521	522	519	521	522				
Lo PR	120	119	123	122	125	131	129	132	138	135	138	144	141	143	150	143	146	153	141	143	150	141	143	150	141	143	150	141	143	150	141	143	150				
MBh	37.7	39.2	40.3	37.2	37.7	38.8	35.2	35.7	36.8	32.6	33.1	34.1	29.8	30.3	31.3	27.8	28.3	29.2	29.8	30.3	31.3	27.8	28.3	29.2	29.8	30.3	31.3	27.8	28.3	29.2	29.8	30.3	31.3				
S/T	0.75	0.64	0.50	0.73	0.65	0.51	0.75	0.67	0.53	0.77	0.69	0.55	0.79	0.71	0.57	1.00	0.78	0.64	0.79	0.71	0.57	0.79	0.71	0.57	0.79	0.71	0.57	1.00	0.78	0.64	0.79	0.71	0.57				
ΔT	19	15	12	17	15	12	16	15	11	15	14	11	15	13	10	17	15	12	15	13	10	15	13	10	15	13	10	17	15	12	15	13	10				
kW	2.29	2.73	2.72	3.07	3.07	3.07	3.46	3.46	3.45	3.87	3.87	3.87	4.34	4.34	4.33	4.41	4.41	4.41	4.34	4.34	4.33	4.34	4.33	4.33	4.33	4.33	4.33	4.41	4.41	4.41	4.41	4.41	4.41				
Amps	8.4	10.2	10.1	11.6	11.6	11.6	13.2	13.2	13.2	14.9	14.9	14.9	16.8	16.8	16.7	16.9	16.9	16.9	16.6	16.6	16.7	16.7	16.6	16.6	16.7	16.7	16.7	17.0	17.0	17.0	17.0	17.0	17.0				
Hi PR	295	299	301	339	340	342	381	382	384	425	426	428	472	473	475	519	521	522	472	473	475	472	473	475	519	521	522	519	521	522	519	521	522				
Lo PR	119	119	126	125	127	133	131	134	140	137	140	147	143	146	153	143	146	153	143	146	153	143	146	153	143	146	153	143	146	153	143	146	153				
75	MBh	30.3	34.1	39.0	36.0	36.5	37.6	34.0	34.5	35.6	31.5	31.9	33.0	28.7	29.1	30.1	26.7	27.1	28.1	28.6	29.1	30.1	26.7	27.1	28.1	28.6	29.1	30.1	26.7	27.1	28.1	28.6	29.1	30.1			
	S/T	0.80	0.69	0.52	0.74	0.66	0.53	0.77	0.69	0.55	0.78	0.71	0.57	1.00	0.80	0.66	1.00	0.80	0.66	0.73	0.64	0.50	1.00	0.73	0.59	0.73	0.64	0.50	1.00	0.80	0.66	0.73	0.64	0.50			
	ΔT	26	24	18	23	21	18	22	21	17	14	21	20	17	13	20	19	16	20	18	15	12	20	19	16	20	18	15	22	20	17	14	22	20	17		
	kW	1.75	1.98	2.68	3.03	3.03	3.02	3.42	3.41	3.41	3.83	3.83	3.82	4.30	4.29	4.29	4.38	4.38	4.37	4.32	4.32	4.31	4.30	4.29	4.29	4.32	4.32	4.31	4.40	4.40	4.39	4.32	4.32	4.31			
	Amps	6.3	7.2	9.9	11.4	11.4	11.4	13.1	13.0	13.1	14.8	14.7	14.7	16.6	16.6	16.6	16.9	16.9	16.9	16.6	16.6	16.7	16.7	16.6	16.6	16.7	16.7	16.7	17.0	17.0	16.9	16.7	16.7	16.6			
	Hi PR	282	287	295	333	334	336	375	377	379	420	421	423	467	468	470	514	515	517	467	468	470	467	468	470	514	515	517	514	515	517	514	515	517			
	Lo PR	119	119	121	120	123	129	127	130	136	147	133	136	142	154	141	148	147	151	141	143	150	141	143	150	141	143	150	141	143	150	141	143	150			
	MBh	32.5	37.5	39.6	36.5	37.1	38.1	34.6	35.1	36.1	32.0	32.5	33.5	29.2	29.6	30.6	27.2	27.6	28.6	29.2	29.6	30.6	27.2	27.6	28.6	29.2	29.6	30.6	27.2	27.6	28.6	29.2	29.6	30.6			
	S/T	0.87	0.77	0.60	0.82	0.74	0.60	0.84	0.76	0.63	0.84	0.76	0.63	0.88	0.80	0.67	1.00	0.80	0.67	0.84	0.76	0.63	0.88	0.80	0.67	0.84	0.76	0.63	1.00	0.80	0.67	0.84	0.76	0.63			
	ΔT	24	23	17	21	20	16	21	19	16	13	20	19	16	13	20	18	15	20	18	15	12	20	19	16	20	18	15	22	20	17	14	22	20	17		
kW	1.88	2.27	2.70	3.05	3.05	3.05	3.44	3.44	3.43	3.86	3.85	3.85	4.32	4.32	4.31	4.40	4.40	4.39	4.32	4.32	4.31	4.30	4.29	4.29	4.32	4.32	4.31	4.40	4.40	4.39	4.32	4.32	4.31				
Amps	6.8	8.3	10.0	11.5	11.5	11.5	13.2	13.1	13.1	14.9	14.8	14.8	16.8	16.8	16.7	16.9	16.9	16.9	16.6	16.6	16.7	16.7	16.6	16.6	16.7	16.7	16.7	17.0	17.0	16.9	16.7	16.7	16.6				
Hi PR	287	293	298	336	337	339	378	380	382	425	426	428	472	473	475	519	521	522	472	473	475	472	473	475	519	521	522	519	521	522	519	521	522				
Lo PR	120	119	123	122	125	131	129	132	138	149	135	138	144	156	141	143	150	141	143	150	141	143	150	141	143	150	141	143	150	141	143	150					
MBh	37.7	39.2	40.3	37.2	37.8	38.8	35.2	35.7	36.8	32.7	33.1	34.2	29.8	30.3	31.3	27.8	28.3	29.2	29.8	30.3	31.3	27.8	28.3	29.2	29.8	30.3	31.3	27.8	28.3	29.2	29.8	30.3	31.3				
S/T	0.89	0.78	0.64	0.86	0.78	0.64	0.88	0.80	0.67	0.88	0.80	0.67	1.00	0.82	0.68	1.00	0.82	0.68	0.84	0.76	0.63	1.00	0.84	0.70	0.84	0.76	0.63	1.00	0.91	0.77	0.63	0.91	0.77	0.63			
ΔT	24	19	16	20	19	15	20	18	15	12	19	17	14	11	18	17	14	11	18	17	14	11	18	17	14	11	21	19	16	13	21	19	16				
kW	2.29	2.72	2.72	3.07	3.07	3.06	3.46	3.45	3.45	3.87	3.87	3.86	4.34	4.34	4.33	4.41	4.41	4.41	4.34	4.34	4.33	4.34	4.33	4.33	4.33	4.33	4.33	4.41	4.41	4.41	4.41	4.41	4.41				
Amps	8.4	10.1	10.1	11.6	11.6	11.6	13.2	13.2	13.2	14.9	14.9	14.9	16.8	16.8	16.7	16.9	16.9	16.9	16.6	16.6	16.7	16.7	16.6	16.6	16.7	16.7	16.7	17.0	17.0	17.0	17.0	17.0	17.0				
Hi PR	295	299	301	339	340	342	381	382	384	425	427	429	4																								

EXPANDED COOLING DATA — GZV6SA3610A* / AHVE36CP1300A* (CONT.)

IDB*	AIRFLOW	OUTDOOR AMBIENT TEMPERATURE																							
		65°F				75°F				85°F				95°F				105°F				115°F			
		59	63	67	71	59	63	67	71	59	63	67	71	59	63	67	71	59	63	67	71	59	63	67	71
80	MBh	30.5	34.3	39.2	40.9	36.2	36.7	37.8	39.4	34.2	34.7	35.8	37.4	31.6	32.1	33.1	34.7	28.8	29.3	30.3	31.8	26.8	27.3	28.3	29.8
	S/T	0.93	0.83	0.65	0.50	0.87	0.79	0.65	0.51	1.01	0.82	0.68	0.53	1.00	0.83	0.69	0.55	1.00	0.85	0.72	0.57	1.00	1.00	0.79	0.64
	ΔT	30	28	22	19	26	25	22	18	26	24	21	18	25	23	20	17	24	22	19	16	27	25	22	19
	kW	1.75	1.98	2.68	2.71	3.03	3.03	3.02	3.05	3.42	3.42	3.41	3.44	3.83	3.83	3.82	3.85	4.30	4.29	4.29	4.31	4.38	4.38	4.37	4.39
	Amps	6.3	7.2	9.9	10.1	11.5	11.4	11.4	11.5	13.1	13.0	13.0	13.1	14.8	14.7	14.7	14.8	16.6	16.6	16.6	16.7	16.9	16.9	16.9	17.0
	Hi PR	283	288	296	301	334	335	337	342	376	377	379	384	420	422	423	428	467	468	470	475	515	516	518	522
Lo PR	120	120	122	132	121	123	130	141	128	130	137	148	133	136	143	154	139	142	149	161	147	150	157	169	
MBh	34.3	37.7	39.8	41.5	36.7	37.2	38.3	40.0	34.7	35.2	36.3	37.9	32.2	32.7	34.2	35.2	29.4	29.8	30.8	32.3	27.4	27.8	28.8	30.3	
S/T	0.99	0.90	0.73	0.58	1.01	0.87	0.73	0.58	1.01	0.89	0.75	0.61	1.00	0.91	0.77	0.63	1.00	0.93	0.79	0.65	1.00	1.00	0.86	0.72	
ΔT	29	27	21	18	25	23	20	17	25	23	20	17	24	22	19	16	23	21	18	15	26	24	21	18	
kW	2.00	2.27	2.70	2.73	3.06	3.05	3.05	3.07	3.44	3.44	3.43	3.46	3.86	3.85	3.80	3.87	4.32	4.32	4.31	4.34	4.40	4.39	4.39	4.41	
Amps	7.3	8.3	10.0	10.2	11.5	11.5	11.5	11.6	13.2	13.1	13.1	13.2	14.9	14.8	14.4	14.9	16.7	16.7	16.7	16.8	17.0	17.0	16.9	17.0	
Hi PR	289	294	299	304	337	338	340	345	379	380	382	387	423	424	426	431	470	471	473	478	517	519	521	525	
Lo PR	120	120	124	134	123	125	132	143	130	132	139	150	135	138	146	156	141	144	151	163	149	152	159	172	
MBh	37.9	39.4	40.5	42.2	37.4	38.0	39.0	40.7	35.4	35.9	37.0	38.6	32.8	33.3	34.3	35.9	30.0	30.5	31.5	33.0	28.0	28.5	29.4	30.9	
S/T	1.01	0.90	0.77	0.62	1.01	0.91	0.77	0.62	1.01	0.93	0.79	0.65	1.00	0.95	0.81	0.67	1.00	1.00	0.83	0.69	1.00	1.00	0.90	0.76	
ΔT	28	23	20	16	24	22	19	16	24	22	19	16	23	21	18	15	22	20	17	14	25	23	20	17	
kW	2.29	2.73	2.72	2.75	3.07	3.07	3.07	3.09	3.46	3.46	3.45	3.48	3.87	3.87	3.87	3.89	4.34	4.33	4.33	4.35	4.41	4.41	4.41	4.43	
Amps	8.4	10.2	10.1	10.2	11.6	11.6	11.6	11.7	13.2	13.2	13.2	13.3	14.9	14.9	14.9	15.0	16.8	16.8	16.7	16.8	17.0	17.0	17.0	17.1	
Hi PR	296	300	302	307	340	341	343	348	382	383	385	390	426	427	429	434	473	474	476	481	520	521	523	528	
Lo PR	120	120	126	137	125	128	134	145	132	134	141	152	138	140	147	159	144	146	153	165	152	154	162	174	

1070	MBh	34.4	37.8	39.8	41.5	36.8	37.3	38.4	40.0	34.8	35.3	36.3	38.0	32.2	32.7	33.7	35.3	29.4	29.9	30.9	32.4	27.4	27.9	28.8	30.3
	S/T	1.01	0.93	0.75	0.61	1.01	0.90	0.76	0.61	1.01	0.92	0.78	0.63	1.00	1.00	0.80	0.65	1.00	1.00	0.82	0.67	1.00	1.00	1.00	0.74
	ΔT	34	33	26	22	30	28	25	22	29	28	24	21	28	26	23	20	27	25	22	19	30	29	26	22
	kW	1.99	2.26	2.69	2.71	3.04	3.04	3.03	3.06	3.42	3.42	3.42	3.44	3.84	3.84	3.83	3.86	4.30	4.30	4.29	4.32	4.38	4.38	4.38	4.40
	Amps	7.2	8.2	10.0	10.1	11.5	11.5	11.4	11.6	13.1	13.1	13.1	13.2	14.8	14.8	14.8	14.9	16.6	16.6	16.6	16.7	16.9	16.9	16.9	17.0
	Hi PR	288	292	297	302	335	336	338	343	377	378	380	385	422	423	425	430	468	470	472	476	516	517	519	524
Lo PR	119	120	124	134	123	125	131	142	129	132	138	150	135	138	144	156	141	144	151	162	149	152	159	171	
1260	MBh	37.8	39.3	40.4	42.1	37.3	37.9	38.9	40.6	35.3	35.8	36.9	38.5	32.7	33.2	34.3	35.8	29.9	30.4	31.4	32.9	27.9	28.4	29.4	30.9
	S/T	1.01	0.97	0.83	0.68	1.01	0.97	0.83	0.69	1.01	1.00	0.86	0.71	1.00	1.00	0.87	0.73	1.00	1.00	0.89	0.75	1.00	1.00	1.00	0.82
	ΔT	33	28	24	21	29	27	24	20	28	26	23	20	27	25	22	19	26	24	21	18	29	27	24	21
	kW	2.28	2.71	2.71	2.74	3.06	3.06	3.05	3.08	3.45	3.44	3.44	3.47	3.86	3.86	3.85	3.88	4.33	4.32	4.32	4.34	4.40	4.40	4.40	4.42
	Amps	8.3	10.1	10.1	10.2	11.6	11.6	11.5	11.7	13.2	13.2	13.1	13.3	14.9	14.9	14.8	15.0	16.7	16.7	16.7	16.8	17.0	17.0	17.0	17.1
	Hi PR	294	298	300	305	338	339	341	346	380	381	383	388	425	426	428	433	471	472	474	479	519	520	522	527
Lo PR	119	119	126	136	125	127	133	145	131	134	140	152	137	140	147	158	143	146	153	165	151	154	161	174	
1450	MBh	39.5	40.0	41.1	42.8	38.1	38.6	39.7	41.3	36.0	36.5	37.6	39.2	33.4	33.9	34.9	36.5	30.6	31.0	32.0	33.5	28.5	29.0	30.0	31.5
	S/T	1.01	1.01	0.87	0.72	1.01	1.01	0.87	0.73	1.01	1.01	0.90	0.75	1.00	1.00	0.91	0.77	1.00	1.00	0.93	0.79	1.00	1.00	1.00	0.86
	ΔT	28	27	23	20	28	26	23	19	27	25	22	19	26	24	21	18	25	23	20	17	28	26	23	20
	kW	2.74	2.73	2.73	2.75	3.08	3.08	3.07	3.10	3.47	3.46	3.46	3.48	3.88	3.88	3.87	3.90	4.34	4.34	4.33	4.36	4.42	4.42	4.41	4.44
	Amps	10.2	10.2	10.2	10.3	11.7	11.6	11.6	11.7	13.3	13.2	13.2	13.3	15.0	14.9	14.9	15.0	16.8	16.8	16.8	16.9	17.1	17.1	17.0	17.1
	Hi PR	300	301	303	308	341	342	344	349	383	384	386	391	427	428	430	435	474	475	477	482	521	523	525	529
Lo PR	119	119	122	128	127	129	136	147	134	136	143	154	139	142	149	161	145	148	155	167	154	156	163	176	

IDB*: Entering Indoor Dry Bulb Temperature
 High and low pressures are measured at the liquid and suction service valves.
 Airflow may vary depending on actual ambient conditions and system operation modes.

Shaded area is AHRI conditions

kW = Total system power
 Amps = outdoor unit amps

EXPANDED COOLING DATA — GZV6SA4210A* / AHVE48DP1300A*

IDB*	AIRFLOW	OUTDOOR AMBIENT TEMPERATURE																							
		65°F				75°F				85°F				95°F				105°F				115°F			
		59	63	67	71	59	63	67	71	59	63	67	71	59	63	67	71	59	63	67	71	59	63	67	71
70	MBh	33.5	42.3	43.6	41.3	41.9	43.1	40.1	40.7	41.9	38.1	38.7	40.0	35.8	36.3	37.6	29.5	30.0	31.1	31.1					
	S/T	0.59	0.50	0.37	0.58	0.50	0.37	0.60	0.53	0.40	0.62	0.54	0.41	0.64	0.56	0.43	0.70	0.62	0.49	0.49					
	ΔT	21	19	15	20	19	15	21	19	15	20	18	15	20	18	15	22	20	16	16					
	kW	1.66	3.32	3.31	3.70	3.70	3.69	4.11	4.10	4.09	4.53	4.53	4.52	4.99	4.99	4.98	3.11	3.11	3.10	3.10					
	Amps	8.2	14.7	14.7	15.9	15.8	15.8	16.9	16.9	16.8	17.7	17.7	17.7	18.5	18.5	18.4	11.1	11.1	11.0	11.0					
	Hi-PR	261	280	282	324	325	327	371	372	374	422	423	425	477	478	480	514	515	517	517					
	Lo-PR	119	119	127	120	125	133	124	129	137	127	132	140	130	136	144	138	144	152	152					
	MBh	37.8	43.0	44.2	41.9	42.5	43.8	40.7	41.3	42.6	38.8	39.4	40.6	36.4	37.0	38.2	30.1	30.6	31.7	31.7					
	S/T	0.65	0.57	0.44	0.65	0.58	0.45	0.67	0.60	0.47	0.69	0.62	0.49	0.71	0.64	0.51	0.77	0.70	0.57	0.57					
	ΔT	20	17	14	19	17	14	19	17	14	19	17	14	19	17	13	20	19	15	15					
kW	1.99	3.35	3.34	3.73	3.72	3.72	4.13	4.13	4.12	4.56	4.55	4.55	5.02	5.01	5.01	3.12	3.12	3.12	3.12						
Amps	9.4	14.9	14.9	16.0	16.0	15.9	17.0	17.0	17.0	17.9	17.8	17.8	18.6	18.6	18.5	11.1	11.1	11.1	11.1						
Hi-PR	271	283	285	327	328	330	374	375	377	425	426	428	480	481	483	517	518	520	520						
Lo-PR	120	121	129	122	127	135	126	131	139	129	134	142	132	137	146	140	146	154	154						
MBh	42.9	43.8	45.0	42.7	43.3	44.6	41.5	42.1	43.4	39.6	40.2	41.4	37.2	37.8	39.0	30.8	31.3	32.4	32.4						
S/T	0.67	0.61	0.48	0.69	0.61	0.48	0.71	0.64	0.51	0.73	0.65	0.52	0.75	0.67	0.54	0.81	0.73	0.60	0.60						
ΔT	19	16	13	18	16	13	18	16	13	18	16	12	17	16	12	19	17	14	14						
kW	2.42	3.37	3.37	3.75	3.75	3.74	4.16	4.15	4.15	4.58	4.58	4.57	5.04	5.04	5.03	3.13	3.13	3.13	3.13						
Amps	10.9	15.0	15.0	16.1	16.1	16.0	17.1	17.1	17.1	17.9	17.9	17.9	18.7	18.6	18.6	11.2	11.1	11.1	11.1						
Hi-PR	283	286	288	330	331	333	377	378	380	428	429	431	483	484	486	519	521	522	522						
Lo-PR	120	124	131	124	129	137	128	133	142	131	137	145	134	140	148	142	148	157	157						

75	MBh	33.5	42.4	43.6	45.5	41.3	41.9	43.1	45.0	40.1	40.7	41.9	43.8	38.2	38.7	40.0	41.9	35.8	36.4	37.6	29.6	30.1	31.2	32.8
	S/T	0.72	0.62	0.49	0.35	0.70	0.63	0.50	0.36	0.72	0.65	0.52	0.38	0.74	0.67	0.54	0.40	0.76	0.69	0.56	1.00	0.75	0.62	0.48
	ΔT	25	23	19	16	25	23	19	16	25	23	19	16	24	22	19	15	24	22	19	26	24	21	17
	kW	1.66	3.32	3.31	3.34	3.70	3.69	3.69	3.72	4.10	4.10	4.09	4.13	4.53	4.52	4.52	4.55	4.99	4.98	4.98	5.01	3.11	3.10	3.12
	Amps	8.2	14.7	14.7	14.9	15.8	15.8	15.8	16.0	16.9	16.9	16.8	17.0	17.7	17.7	17.7	17.8	18.5	18.5	18.4	18.5	11.1	11.1	11.0
	Hi-PR	261	281	282	287	324	325	327	332	371	373	374	379	422	423	425	430	477	479	481	485	514	515	517
	Lo-PR	119	119	127	138	120	125	133	144	124	129	137	148	127	133	140	152	130	136	144	155	138	144	152
	MBh	37.8	43.0	44.3	46.2	41.9	42.5	43.8	45.7	40.8	41.3	42.6	44.5	38.8	39.4	40.6	42.5	36.4	37.0	38.2	40.1	30.1	30.6	31.7
	S/T	0.78	0.70	0.57	0.43	0.78	0.70	0.57	0.43	0.80	0.72	0.59	0.46	0.81	0.74	0.61	0.47	0.83	0.76	0.63	1.00	0.82	0.69	0.55
	ΔT	24	21	18	14	23	21	18	14	23	21	18	14	23	21	18	14	23	21	17	24	25	23	19
kW	1.99	3.35	3.34	3.37	3.72	3.72	3.71	3.75	4.13	4.13	4.12	4.15	4.55	4.55	4.54	4.58	5.01	5.01	5.00	5.04	3.12	3.12	3.11	
Amps	9.4	14.9	14.8	15.0	16.0	16.0	15.9	16.1	17.0	17.0	16.9	17.1	17.8	17.8	17.8	17.9	18.6	18.6	18.5	18.6	11.1	11.1	11.0	
Hi-PR	272	283	285	290	327	328	330	335	374	375	377	382	425	426	428	433	480	481	483	488	517	518	520	
Lo-PR	120	121	129	140	122	127	135	146	126	131	139	151	129	134	143	154	132	138	146	157	140	146	154	
MBh	42.9	43.8	45.1	47.0	42.8	43.3	44.6	46.5	41.6	42.1	43.4	45.3	39.6	40.2	41.4	43.3	37.2	37.8	39.0	40.9	30.8	31.3	32.4	
S/T	0.80	0.73	0.60	0.46	0.81	0.74	0.61	0.47	0.83	0.76	0.63	0.49	0.85	0.78	0.65	0.51	1.00	0.80	0.67	0.53	1.00	0.86	0.73	
ΔT	24	20	17	13	22	20	17	13	22	20	17	13	22	20	16	13	21	20	16	13	24	22	18	
kW	2.41	3.37	3.36	3.40	3.75	3.74	3.74	3.77	4.15	4.15	4.14	4.18	4.58	4.57	4.57	4.60	5.04	5.03	5.03	5.06	3.13	3.13	3.13	
Amps	10.9	15.0	15.0	15.1	16.1	16.1	16.0	16.2	17.1	17.1	17.0	17.2	17.9	17.9	17.9	18.0	18.6	18.6	18.6	18.7	11.1	11.1	11.0	
Hi-PR	283	286	288	293	330	331	333	338	377	378	380	385	428	429	431	436	483	484	486	491	520	521	523	
Lo-PR	120	124	132	143	124	129	137	148	128	133	142	153	131	137	145	156	134	140	148	160	142	148	157	

kW = Total system power
Amps = outdoor unit amps

Shaded area is ACCA (TVA) conditions

IDB*: Entering Indoor Dry Bulb Temperature
High and low pressures are measured at the liquid and suction service valves.
Airflow may vary depending on actual ambient conditions and system operation modes.

EXPANDED COOLING DATA — GZV6SA4210A* / AHVE48DP1300A* (CONT.)

IDB*	AIRFLOW	OUTDOOR AMBIENT TEMPERATURE												115°F											
		65°F			75°F			85°F			95°F				105°F										
		59	63	67	71	59	63	67	71	59	63	67	71		59	63	67	71	59	63	67	71			
80	MBh	34.9	42.6	43.8	45.7	41.5	42.1	43.4	45.3	40.3	40.9	42.2	44.1	38.4	39.0	40.2	42.1	36.0	36.6	37.8	39.7	29.7	30.3	31.3	33.0
	S/T	0.84	0.75	0.61	0.48	0.82	0.75	0.62	0.48	1.00	0.77	0.64	0.50	1.00	0.79	0.66	0.52	1.00	0.81	0.68	0.54	1.00	0.87	0.74	0.60
	ΔT	30	27	23	20	29	27	23	20	29	27	23	20	28	27	23	20	28	26	23	19	30	28	25	21
	kW	1.76	3.32	3.31	3.35	3.70	3.70	3.69	3.72	4.11	4.10	4.09	4.13	4.53	4.53	4.52	4.55	4.99	4.99	4.98	5.01	3.11	3.11	3.10	3.12
	Amps	8.6	14.7	14.7	14.9	15.9	15.8	15.8	16.0	16.9	16.9	16.8	17.0	17.7	17.7	17.7	17.8	18.5	18.5	18.5	18.4	11.1	11.1	11.0	11.0
	Hi PR	264	281	283	288	325	326	328	333	372	373	375	380	423	424	426	431	478	479	481	486	515	516	518	522
	Lo PR	119	120	127	138	120	125	133	144	124	130	138	149	128	133	141	152	131	136	144	156	139	144	153	165
	MBh	38.0	43.2	44.5	46.4	42.2	42.8	44.0	45.9	41.0	41.6	42.8	44.7	39.0	39.6	41.0	42.7	36.6	37.2	38.5	40.4	30.3	30.8	31.9	33.6
	S/T	0.90	0.82	0.69	0.55	0.90	0.82	0.69	0.55	1.00	0.85	0.71	0.58	1.00	0.86	0.73	0.59	1.00	0.88	0.75	0.61	1.00	1.00	0.81	0.67
	ΔT	29	26	22	18	27	25	22	18	27	26	22	18	27	25	22	18	27	25	21	18	29	27	23	20
kW	1.99	3.35	3.34	3.38	3.73	3.72	3.72	3.75	4.13	4.13	4.12	4.16	4.56	4.55	4.56	4.58	5.02	5.01	5.01	5.04	3.12	3.12	3.12	3.13	
Amps	9.4	14.9	14.8	15.0	16.0	16.0	15.9	16.1	17.0	17.0	17.0	17.1	17.9	17.9	18.8	17.9	18.6	18.6	18.5	18.7	11.1	11.1	11.1	11.0	
Hi PR	272	284	286	291	328	329	331	336	375	376	378	383	426	427	429	434	481	482	484	489	517	519	520	525	
Lo PR	120	122	130	141	122	127	135	147	126	132	140	151	130	135	145	155	133	138	146	158	141	146	155	167	
MBh	43.4	44.0	45.3	47.2	43.0	43.6	44.8	46.7	41.8	42.4	43.6	45.5	39.8	40.4	41.6	43.5	37.4	38.0	39.3	41.2	31.0	31.5	32.6	34.3	
S/T	0.93	0.86	0.72	0.59	1.01	0.86	0.73	0.59	1.00	0.88	0.75	0.61	1.00	0.90	0.77	0.63	1.00	0.92	0.79	0.65	1.00	1.00	0.85	0.71	
ΔT	26	24	21	17	26	24	21	17	26	24	21	17	26	24	21	17	26	24	20	17	28	26	22	19	
kW	3.38	3.37	3.36	3.40	3.75	3.75	3.74	3.77	4.16	4.15	4.14	4.18	4.58	4.58	4.57	4.60	5.04	5.03	5.03	5.06	3.13	3.13	3.13	3.14	
Amps	15.0	15.0	15.0	15.1	16.1	16.1	16.0	16.2	17.1	17.1	17.1	17.2	17.9	17.9	17.9	18.0	18.7	18.6	18.6	18.7	11.2	11.1	11.1	11.0	
Hi PR	285	287	289	294	330	332	333	338	377	379	381	386	428	430	432	437	484	485	487	492	520	521	523	528	
Lo PR	119	124	132	143	124	130	138	149	129	134	142	154	132	137	145	157	135	140	148	160	143	149	157	169	
MBh	38.1	43.3	44.5	46.4	42.2	42.8	44.1	46.0	41.7	42.3	43.5	45.4	39.7	40.3	41.5	43.4	37.3	37.9	39.2	41.1	30.9	31.4	32.5	34.2	
S/T	1.01	0.84	0.71	0.57	1.01	0.85	0.72	0.58	1.00	0.94	0.81	0.67	1.00	1.00	0.83	0.69	1.00	1.00	0.85	0.71	1.00	1.00	0.91	0.77	
ΔT	34	31	27	23	32	30	27	23	32	31	27	24	32	30	27	23	32	30	26	23	34	32	29	25	
kW	1.98	3.33	3.32	3.36	3.71	3.70	3.70	3.73	4.11	4.11	4.10	4.14	4.54	4.53	4.53	4.56	5.00	4.99	4.99	5.02	3.11	3.11	3.11	3.12	
Amps	9.3	14.8	14.7	14.9	15.9	15.9	15.8	16.0	16.9	16.9	16.9	17.0	17.8	17.8	17.7	17.9	18.5	18.5	18.5	18.6	11.1	11.1	11.1	11.0	
Hi PR	271	282	284	289	326	327	329	334	373	374	376	381	424	425	427	432	479	480	482	487	516	517	519	524	
Lo PR	120	122	129	140	122	127	135	146	126	131	139	151	129	135	143	154	132	138	146	157	141	146	155	167	
MBh	43.0	43.9	45.2	47.1	42.9	43.5	44.7	46.6	41.7	42.3	43.5	45.4	39.7	40.3	41.5	43.4	37.3	37.9	39.2	41.1	30.9	31.4	32.5	34.2	
S/T	1.01	0.92	0.79	0.65	1.01	0.92	0.79	0.65	1.00	0.94	0.81	0.67	1.00	1.00	0.83	0.69	1.00	1.00	0.85	0.71	1.00	1.00	0.91	0.77	
ΔT	33	29	26	22	31	29	26	22	31	29	26	22	31	29	25	22	30	28	25	21	34	32	28	24	
kW	2.40	3.36	3.35	3.38	3.74	3.73	3.72	3.76	4.14	4.14	4.13	4.16	4.56	4.56	4.55	4.59	5.02	5.02	5.01	5.05	3.13	3.12	3.12	3.14	
Amps	10.9	14.9	14.9	15.1	16.0	16.0	16.0	16.1	17.0	17.0	17.0	17.1	17.9	17.9	17.8	18.0	18.6	18.6	18.6	18.7	11.1	11.1	11.1	11.0	
Hi PR	282	285	287	292	329	330	332	337	376	377	379	384	427	428	430	435	482	483	485	490	519	520	522	526	
Lo PR	120	124	131	143	124	129	137	148	128	133	141	153	131	137	145	156	134	140	148	159	140	145	154	167	
MBh	44.1	44.7	46.0	47.9	43.7	44.3	45.5	47.4	42.5	43.1	44.3	46.2	40.5	41.1	42.3	44.2	38.1	38.7	40.0	41.9	31.6	32.1	33.2	34.9	
S/T	1.01	0.95	0.82	0.68	1.01	0.96	0.83	0.69	1.00	1.00	0.85	0.71	1.00	1.00	0.87	0.73	1.00	1.00	0.88	0.75	1.00	1.00	0.91	0.81	
ΔT	30	28	25	21	30	28	24	21	30	28	25	21	30	28	24	21	29	27	24	20	32	30	26	22	
kW	3.38	3.38	3.37	3.41	3.76	3.75	3.75	3.78	4.16	4.16	4.15	4.19	4.59	4.58	4.58	4.61	5.05	5.04	5.04	5.07	3.14	3.14	3.13	3.15	
Amps	15.1	15.0	15.0	15.2	16.1	16.1	16.1	16.2	17.1	17.1	17.1	17.2	18.0	18.0	17.9	18.1	18.7	18.7	18.6	18.8	11.2	11.2	11.1	11.0	
Hi PR	287	288	290	295	332	333	335	340	379	380	382	387	430	431	433	438	485	486	488	493	521	523	524	529	
Lo PR	121	126	134	145	126	131	139	151	130	136	144	155	133	139	147	159	136	142	150	162	145	150	159	171	

IDB*: Entering Indoor Dry Bulb Temperature
 High and low pressures are measured at the liquid and suction service valves.
 Airflow may vary depending on actual ambient conditions and system operation modes.
 Shaded area is AHRI conditions
 kW = Total system power
 Amps = outdoor unit amps

EXPANDED COOLING DATA — GZV6SA4810A* / AHVE48DP1300A*

IDB*	AIRFLOW	OUTDOOR AMBIENT TEMPERATURE																																			
		65°F						75°F						85°F						95°F						105°F						115°F					
		59	63	67	71	59	63	67	71	59	63	67	71	59	63	67	71	59	63	67	71	59	63	67	71	59	63	67	71								
1170	MBh	41.8	49.6	51.1	53.4	48.3	48.2	49.6	51.9	45.3	46.0	47.4	42.3	42.9	44.3	38.9	39.5	40.9	29.7	30.2	31.3																
	S/T	0.56	0.49	0.36	0.34	0.55	0.49	0.37	0.35	0.59	0.52	0.39	0.62	0.54	0.41	0.64	0.57	0.44	0.70	0.62	0.49																
	ΔT	23	20	17	17	23	20	16	15	22	20	16	21	19	15	20	18	15	21	20	16																
	kW	2.24	3.71	3.70	3.74	3.38	4.10	4.10	4.13	4.53	4.53	4.52	4.97	4.96	4.96	5.43	5.43	5.42	3.33	3.33	3.32																
	Amps	9.6	14.8	14.8	14.9	13.6	16.5	16.5	16.6	18.3	18.3	18.3	20.0	20.0	20.0	21.6	21.6	21.6	13.7	13.7	13.6																
	Hi PR	280	293	295	300	343	337	339	342	385	386	388	434	435	434	483	484	486	513	514	516																
Lo PR	119	120	128	132	120	123	132	134	122	128	136	123	130	138	123	129	137	132	138	147																	
70	MBh	47.3	50.4	51.9	52.8	48.3	49.0	50.4	51.3	46.0	46.7	48.1	43.0	43.7	45.0	39.6	40.2	41.6	30.3	30.8	31.9																
	S/T	0.61	0.56	0.43	0.47	0.64	0.57	0.44	0.47	0.67	0.59	0.46	0.69	0.62	0.49	0.71	0.64	0.51	0.77	0.70	0.57																
	ΔT	22	19	15	14	20	18	15	13	19	17	13	18	16	13	19	17	13	20	18	15																
	kW	2.73	3.74	3.73	3.76	4.14	4.14	4.13	4.15	4.56	4.56	4.55	5.00	4.99	4.99	5.46	5.46	5.45	3.34	3.34	3.34																
	Amps	11.2	14.9	14.9	14.9	16.7	16.6	16.6	16.7	18.5	18.4	18.4	20.1	20.1	20.1	21.7	21.7	21.7	13.7	13.7	13.7																
	Hi PR	293	296	298	301	339	340	342	345	385	386	388	434	435	437	486	487	489	516	517	519																
Lo PR	119	122	130	132	119	126	134	136	122	128	136	123	130	138	124	131	139	133	140	149																	
1590	MBh	51.4	51.3	52.8	53.4	49.2	49.9	51.3	51.3	47.0	47.6	49.0	43.9	44.5	45.9	40.5	41.1	42.5	31.0	31.5	32.6																
	S/T	0.64	0.59	0.47	0.47	0.68	0.60	0.47	0.47	0.70	0.63	0.50	0.73	0.65	0.52	0.75	0.68	0.55	0.81	0.73	0.60																
	ΔT	21	18	14	14	19	17	13	13	19	17	13	18	16	13	18	16	12	19	17	14																
	kW	3.11	3.77	3.76	3.76	4.17	4.16	4.15	4.15	4.59	4.58	4.58	5.02	5.02	5.01	5.49	5.48	5.48	3.36	3.36	3.35																
	Amps	12.5	15.1	15.0	15.0	16.8	16.8	16.7	16.7	18.6	18.6	18.5	20.2	20.2	20.2	21.8	21.8	21.7	13.8	13.8	13.8																
	Hi PR	304	299	301	301	342	343	345	345	388	389	391	437	438	440	489	490	492	519	520	522																
Lo PR	120	124	132	132	122	128	136	136	124	130	139	125	132	140	126	133	141	136	142	151																	

1170	MBh	41.9	49.7	51.1	53.4	48.3	48.2	49.7	51.9	45.3	46.0	47.4	42.3	43.0	44.3	38.9	39.6	40.9	29.7	30.3	31.4
	S/T	0.68	0.61	0.48	0.34	0.67	0.62	0.49	0.35	0.72	0.65	0.52	0.74	0.67	0.54	0.77	0.69	0.56	0.82	0.75	0.62
	ΔT	28	25	21	17	28	24	21	17	26	24	20	25	23	20	24	22	19	26	24	20
	kW	2.24	3.70	3.70	3.74	3.37	4.10	4.09	4.13	4.53	4.53	4.52	4.97	4.96	4.95	5.43	5.43	5.42	3.33	3.33	3.32
	Amps	9.6	14.8	14.7	14.9	13.5	16.5	16.5	16.6	18.3	18.3	18.4	20.0	20.0	20.0	21.6	21.6	21.6	13.7	13.7	13.6
	Hi PR	281	293	295	300	343	337	339	345	382	383	385	431	432	434	483	485	487	513	515	516
Lo PR	120	120	128	138	120	124	132	142	120	126	134	122	128	136	123	129	137	132	138	147	
75	MBh	47.3	50.4	51.9	54.1	48.3	49.0	50.4	52.6	46.1	46.7	48.1	43.0	43.7	45.1	39.6	40.3	41.6	30.3	30.8	31.9
	S/T	0.73	0.68	0.55	0.42	0.76	0.69	0.56	0.42	0.79	0.72	0.59	0.81	0.74	0.61	0.84	0.77	0.63	1.01	0.82	0.69
	ΔT	27	23	20	16	25	23	19	15	25	23	19	24	22	18	23	21	18	24	22	19
	kW	2.73	3.74	3.73	3.77	4.14	4.13	4.12	4.16	4.56	4.56	4.55	4.99	4.98	4.98	5.46	5.46	5.45	3.34	3.34	3.36
	Amps	11.2	14.9	14.9	15.1	16.7	16.6	16.6	16.8	18.5	18.4	18.4	20.1	20.1	20.1	21.7	21.7	21.7	13.7	13.7	13.7
	Hi PR	293	296	298	303	339	340	342	348	385	386	388	434	435	437	486	488	490	516	517	519
Lo PR	119	122	130	141	119	126	134	145	122	128	136	123	130	138	124	131	139	133	140	149	
1590	MBh	51.5	51.4	52.8	55.1	49.2	49.9	51.3	53.5	47.0	47.6	49.1	43.9	44.6	46.0	40.5	41.1	42.5	31.0	31.5	32.6
	S/T	0.76	0.72	0.59	0.45	0.80	0.73	0.60	0.46	0.83	0.75	0.62	0.85	0.78	0.65	0.88	0.80	0.67	1.01	0.86	0.73
	ΔT	26	22	18	14	24	22	18	14	23	21	18	23	21	17	22	20	16	23	21	18
	kW	3.10	3.76	3.75	3.79	4.16	4.16	4.15	4.19	4.58	4.58	4.57	5.02	5.02	5.01	5.48	5.48	5.47	3.36	3.35	3.35
	Amps	12.5	15.0	15.0	15.2	16.8	16.7	16.7	16.9	18.6	18.5	18.5	20.2	20.2	20.2	21.8	21.8	21.7	13.8	13.8	13.8
	Hi PR	304	299	301	306	342	343	345	350	388	389	391	437	438	440	489	490	492	519	520	522
Lo PR	120	124	132	143	122	128	136	147	124	130	139	125	132	140	126	133	141	136	142	151	

kW = Total system power
Amps = outdoor unit amps

Shaded area is ACCA (TVA) conditions

IDB*: Entering Indoor Dry Bulb Temperature
High and low pressures are measured at the liquid and suction service valves.
Airflow may vary depending on actual ambient conditions and system operation modes.

EXPANDED COOLING DATA — GZV6SA4810A* / AHVE48DP1300A* (CONT.)

IDB*	AIRFLOW	OUTDOOR AMBIENT TEMPERATURE												115°F																																					
		65°F						75°F						85°F						95°F						105°F						115°F																			
		59	63	67	71	71	71	59	63	67	71	71	71	59	63	67	71	71	71	59	63	67	71	71	71	59	63	67	71	71	71	59	63	67	71	71	71														
80	1170	MBh	42.1	49.9	51.4	53.6	48.5	48.5	49.9	52.1	45.6	46.3	47.7	49.8	42.6	43.2	44.6	46.7	39.2	39.8	41.1	43.2	29.9	30.4	31.5	33.2	0.80	0.73	0.60	0.46	0.78	0.74	0.61	0.47	0.84	0.76	0.64	0.50	0.86	0.79	0.66	0.52	1.01	0.81	0.68	0.54	1.01	0.87	0.74	0.60	
		S/T	33	29	26	22	33	29	25	21	30	28	25	21	29	28	24	20	20	29	27	23	20	30	28	24	21	5.46	4.97	4.48	3.99	4.53	4.04	3.55	3.06	4.53	4.04	3.55	3.06	4.53	4.04	3.55	3.06	4.53	4.04	3.55	3.06	4.53	4.04	3.55	3.06
	1380	MBh	48.5	50.7	52.2	54.4	48.6	49.2	50.7	52.9	46.3	47.0	48.4	50.5	43.3	43.9	45.5	47.4	39.9	40.5	41.8	43.9	30.5	31.0	32.1	33.8	0.85	0.80	0.67	0.53	0.88	0.81	0.68	0.54	0.91	0.84	0.71	0.57	1.00	0.86	0.73	0.59	1.01	0.89	0.76	0.62	1.01	0.95	0.81	0.67	
		S/T	32	28	24	20	29	27	24	20	29	27	23	20	28	26	23	19	19	27	25	22	18	28	26	23	19	5.46	5.00	4.53	4.04	4.53	4.04	3.55	3.06	4.53	4.04	3.55	3.06	4.53	4.04	3.55	3.06	4.53	4.04	3.55	3.06	4.53	4.04	3.55	3.06
	1590	MBh	51.7	51.6	53.1	55.3	49.5	50.2	51.6	53.8	47.2	47.9	49.3	51.4	44.2	44.8	46.2	48.3	40.7	41.4	42.7	44.8	31.2	31.7	32.8	34.5	0.87	0.83	0.71	0.57	0.92	0.84	0.72	0.58	0.99	0.87	0.74	0.61	1.00	0.90	0.77	0.63	1.01	0.92	0.79	0.65	1.01	0.98	0.85	0.71	
		S/T	31	27	23	19	28	26	22	18	28	26	22	18	27	25	21	18	18	26	24	21	17	27	25	22	18	5.49	5.00	4.53	4.04	4.53	4.04	3.55	3.06	4.53	4.04	3.55	3.06	4.53	4.04	3.55	3.06	4.53	4.04	3.55	3.06	4.53	4.04	3.55	3.06
	85	1170	MBh	48.5	50.8	52.2	54.5	48.6	49.3	50.7	52.9	46.4	47.0	48.5	50.6	43.3	44.0	45.4	47.5	39.9	40.6	41.9	44.0	30.5	31.1	32.2	33.8	0.98	0.82	0.69	0.56	0.99	0.83	0.70	0.57	0.99	0.86	0.73	0.60	1.00	0.89	0.75	0.62	1.01	0.91	0.78	0.64	1.01	1.01	0.84	0.70
			S/T	38	33	30	26	35	33	29	25	34	32	29	25	33	31	28	24	24	32	30	27	23	33	32	28	24	5.44	4.97	4.48	3.99	4.53	4.04	3.55	3.06	4.53	4.04	3.55	3.06	4.53	4.04	3.55	3.06	4.53	4.04	3.55	3.06	4.53	4.04	3.55
		1380	MBh	51.6	51.5	53.0	55.2	49.4	50.0	51.5	53.7	47.1	47.8	49.2	51.3	44.0	44.7	46.1	48.2	40.6	41.3	42.6	44.7	31.1	31.6	32.7	34.4	0.98	0.89	0.77	0.63	0.99	0.91	0.78	0.64	0.99	0.93	0.80	0.67	1.00	0.96	0.83	0.69	1.01	0.98	0.85	0.72	1.01	1.01	0.91	0.77
			S/T	36	32	28	24	33	31	27	24	33	31	27	23	32	30	26	23	23	31	29	25	22	33	31	27	23	5.47	5.00	4.53	4.04	4.53	4.04	3.55	3.06	4.53	4.04	3.55	3.06	4.53	4.04	3.55	3.06	4.53	4.04	3.55	3.06	4.53	4.04	3.55
1590		MBh	51.8	52.5	53.9	56.2	50.3	51.0	52.4	54.6	48.0	48.7	50.1	52.2	44.9	45.6	47.0	49.1	41.5	42.1	43.5	45.5	31.8	32.3	33.4	35.1	0.98	0.93	0.80	0.67	0.99	0.94	0.81	0.68	0.99	0.97	0.84	0.70	1.00	0.99	0.86	0.73	1.01	1.01	0.89	0.75	1.01	1.01	0.95	0.81	
		S/T	33	31	27	23	32	30	26	22	32	30	26	22	31	29	25	21	21	30	28	24	21	31	29	25	22	5.50	5.00	4.53	4.04	4.53	4.04	3.55	3.06	4.53	4.04	3.55	3.06	4.53	4.04	3.55	3.06	4.53	4.04	3.55	3.06	4.53	4.04	3.55	3.06

kW = Total system power
Amps = outdoor unit amps

Shaded area is AHRI conditions

IDB*: Entering Indoor Dry Bulb Temperature
High and low pressures are measured at the liquid and suction service valves.
Airflow may vary depending on actual ambient conditions and system operation modes.

EXPANDED COOLING DATA – GZV6SA6010A* / AHVE60DP1300A*

IDB*	AIRFLOW	OUTDOOR AMBIENT TEMPERATURE																							
		65°F				75°F				85°F				95°F				105°F				115°F			
		59	63	67	71	59	63	67	71	59	63	67	71	59	63	67	71	59	63	67	71	59	63	67	71
70	MBh	29.1	42.9	59.2	39.7	56.1	57.8	47.4	53.7	55.4	49.6	50.4	52.0	42.2	42.9	44.3	33.3	33.8	35.1						
	S/T	0.67	0.51	0.36	0.60	0.49	0.36	0.60	0.52	0.39	0.61	0.53	0.41	0.64	0.56	0.43	0.71	0.63	0.50						
	ΔT	20	20	16	21	19	16	22	19	16	20	18	15	21	19	15	21	19	16						
	kW	1.60	2.45	4.12	2.62	4.68	4.67	4.09	5.30	5.29	5.97	5.97	5.96	5.87	5.87	5.86	5.09	5.09	5.08						
	Amps	6.5	9.9	16.3	10.6	18.6	18.6	16.2	21.2	21.1	24.0	24.0	23.9	23.6	23.6	23.5	20.5	20.5	20.4						
	Hi PR	252	269	298	308	343	345	371	392	394	443	444	446	483	485	487	518	520	521						
	Lo PR	121	120	122	119	120	128	119	124	133	121	128	137	124	132	141	133	141	150						
	MBh	32.0	47.6	60.1	43.7	57.0	58.6	51.4	54.6	56.2	50.4	51.2	52.8	43.0	43.6	45.1	33.9	34.5	35.7						
	S/T	0.73	0.58	0.43	0.66	0.56	0.43	0.67	0.59	0.46	0.68	0.61	0.48	0.71	0.64	0.51	0.78	0.71	0.57						
	ΔT	19	19	14	20	18	14	21	18	14	19	17	14	19	18	14	20	18	14						
kW	1.73	2.80	4.15	2.95	4.72	4.71	4.56	5.34	5.33	6.01	6.00	5.99	5.90	5.90	5.89	5.12	5.11	5.11							
Amps	7.0	11.2	16.4	11.8	18.8	18.7	18.1	21.3	21.3	24.2	24.2	24.1	23.7	23.7	23.7	20.6	20.6	20.5							
Hi PR	256	277	301	315	346	348	380	395	397	446	447	450	486	487	489	521	522	524							
Lo PR	121	120	124	119	122	130	121	126	135	122	130	139	126	134	143	135	143	152							
MBh	38.5	53.3	61.2	49.0	58.0	59.7	54.9	55.6	57.3	51.5	52.3	53.9	43.9	44.6	46.0	34.7	35.3	36.5							
S/T	0.72	0.60	0.46	0.69	0.60	0.47	0.69	0.62	0.49	0.71	0.64	0.51	0.75	0.67	0.54	0.82	0.74	0.61							
ΔT	19	18	13	19	17	13	18	17	13	18	16	12	18	16	13	19	17	13							
kW	2.10	3.26	4.18	3.42	4.75	4.74	5.37	5.37	5.36	6.04	6.03	6.02	5.93	5.92	5.91	5.14	5.13	5.13							
Amps	8.5	12.9	16.5	13.6	18.9	18.8	21.5	21.5	21.4	24.3	24.3	24.2	23.8	23.8	23.8	20.7	20.6	20.6							
Hi PR	266	287	304	326	349	351	396	398	400	449	450	452	489	490	492	524	525	527							
Lo PR	119	120	127	120	124	132	121	128	137	125	132	141	128	136	145	137	145	155							

1390	MBh	29.1	42.9	59.3	61.9	39.8	56.1	57.8	60.3	47.5	53.7	55.4	57.9	49.6	50.4	52.0	54.5	42.2	42.9	44.4	46.6	33.3	33.9	35.1	37.0	
	S/T	0.81	0.64	0.48	0.34	0.73	0.61	0.49	0.35	0.72	0.64	0.51	0.37	0.74	0.66	0.53	0.39	0.76	0.69	0.56	0.42	0.83	0.76	0.62	0.48	
	ΔT	24	25	20	16	26	23	20	16	27	23	20	16	27	23	19	15	25	23	20	16	25	23	20	16	
	kW	1.60	2.45	4.11	4.16	2.62	4.68	4.67	4.71	4.09	5.30	5.29	5.33	5.97	5.96	5.95	6.00	5.87	5.86	5.85	5.89	5.09	5.09	5.08	5.11	
	Amps	6.5	9.9	16.2	16.4	10.6	18.6	18.5	18.7	16.2	21.2	21.1	21.3	24.0	24.0	23.9	24.1	23.6	23.5	23.5	23.7	20.5	20.5	20.4	20.5	
	Hi PR	252	269	299	304	308	343	345	350	371	392	394	399	443	445	447	452	484	485	487	492	519	520	522	526	
	Lo PR	121	120	122	133	119	120	128	139	119	124	133	144	121	128	137	148	124	132	141	152	133	141	150	162	
	MBh	32.0	47.6	60.2	62.7	43.7	57.0	58.7	61.2	51.4	54.6	56.2	58.8	50.5	51.2	52.9	55.3	51.2	43.0	43.7	45.1	47.4	33.9	34.5	35.7	37.6
	S/T	0.87	0.71	0.55	0.42	0.79	0.68	0.56	0.42	0.79	0.71	0.58	0.45	0.80	0.73	0.60	0.46	0.84	0.76	0.63	0.49	1.00	0.83	0.70	0.56	
	ΔT	23	23	19	15	25	22	18	15	25	22	18	15	23	21	18	14	24	22	18	14	24	22	19	15	
kW	1.73	2.79	4.15	4.19	2.95	4.72	4.71	4.75	4.55	5.33	5.32	5.37	6.00	5.99	5.99	6.03	5.90	5.89	5.89	5.92	5.11	5.11	5.11	5.13		
Amps	7.0	11.2	16.4	16.6	11.8	18.7	18.7	18.9	18.1	21.3	21.3	21.5	24.1	24.1	24.1	24.3	23.7	23.7	23.6	23.8	20.6	20.6	20.5	20.6		
Hi PR	257	277	302	307	315	346	348	353	381	395	397	402	446	448	450	455	486	488	490	495	521	523	525	529		
Lo PR	121	120	124	135	120	122	130	141	119	126	135	146	122	130	139	150	126	134	143	154	135	143	152	164		
MBh	38.5	53.4	61.2	63.8	49.0	58.1	59.7	62.3	54.9	55.7	57.3	59.8	51.5	52.3	53.9	56.4	51.5	43.9	44.6	46.1	48.3	34.7	35.3	36.5	38.4	
S/T	0.86	0.73	0.59	0.45	0.82	0.72	0.59	0.46	0.82	0.74	0.62	0.48	0.83	0.76	0.63	0.50	0.87	0.80	0.67	0.53	1.00	0.87	0.74	0.60		
ΔT	23	22	18	14	24	21	17	13	23	21	17	13	22	20	17	13	23	21	17	13	23	21	17	14		
kW	2.10	3.25	4.18	4.22	3.41	4.74	4.73	4.78	5.37	5.36	5.35	5.40	6.03	6.03	6.02	6.06	5.92	5.92	5.91	5.95	5.13	5.13	5.12	5.15		
Amps	8.5	12.9	16.5	16.7	13.6	18.9	18.8	19.0	21.5	21.5	21.4	21.6	24.3	24.3	24.2	24.4	23.8	23.8	23.7	23.9	20.6	20.6	20.6	20.7		
Hi PR	266	287	305	310	326	349	351	356	397	398	400	405	449	451	453	458	489	491	493	498	524	525	527	532		
Lo PR	120	120	127	137	120	124	132	143	121	128	137	148	125	132	141	152	128	136	145	156	137	145	155	166		

kW = Total system power
Amps = outdoor unit amps

Shaded area is ACCA (TVA) conditions

IDB*: Entering Indoor Dry Bulb Temperature
High and low pressures are measured at the liquid and suction service valves.
Airflow may vary depending on actual ambient conditions and system operation modes.

EXPANDED COOLING DATA – GZV6SA6010A* / AHVE60DP1300A* (CONT.)

IDB*	AIRFLOW	OUTDOOR AMBIENT TEMPERATURE																							
		65°F				75°F				85°F				95°F				105°F				115°F			
		59	63	67	71	59	63	67	71	59	63	67	71	59	63	67	71	59	63	67	71	59	63	67	71
80	MBh	31.7	45.0	59.6	62.2	40.0	56.4	58.1	60.6	47.7	54.0	55.7	58.2	49.9	50.7	52.3	54.8	42.5	43.2	44.6	46.9	33.5	34.1	35.3	37.2
	S/T	0.92	0.76	0.60	0.46	0.85	0.73	0.60	0.47	0.84	0.76	0.63	0.49	0.85	0.77	0.65	0.51	1.00	0.81	0.68	0.54	1.00	0.88	0.75	0.61
	ΔT	29	29	25	21	30	28	24	20	31	27	24	20	28	27	23	20	30	28	24	20	29	27	24	20
	kW	1.72	2.60	4.12	4.16	2.62	4.68	4.67	4.72	4.09	5.30	5.29	5.33	5.97	5.97	5.96	6.00	5.87	5.86	5.86	5.89	5.09	5.09	5.08	5.11
	Amps	7.0	10.4	16.3	16.4	10.6	18.6	18.6	18.7	16.2	21.0	21.1	21.3	24.0	24.0	23.9	24.1	23.6	23.6	23.5	23.7	20.5	20.5	20.4	20.6
	Hi PR	254	272	299	304	309	344	346	351	372	393	395	400	444	445	447	452	484	485	487	492	519	520	522	527
	Lo PR	119	119	123	133	120	120	129	139	120	125	133	144	121	128	137	148	125	132	141	152	133	141	151	162
	MBh	34.0	50.3	60.4	63.0	43.9	57.3	59.0	61.5	54.1	54.9	56.5	59.0	50.8	51.5	53.5	55.6	43.2	43.9	45.4	47.6	34.1	34.7	35.9	37.8
	S/T	0.98	0.82	0.67	0.53	0.92	0.80	0.68	0.54	0.90	0.83	0.70	0.56	1.00	0.85	0.72	0.58	1.00	0.88	0.75	0.61	1.00	0.96	0.82	0.68
	ΔT	28	28	23	19	29	26	23	19	28	26	22	19	27	25	22	18	28	26	23	19	28	26	23	19
kW	1.83	3.01	4.15	4.20	2.95	4.72	4.71	4.75	5.34	5.34	5.33	5.37	6.01	6.00	5.94	6.03	5.90	5.90	5.89	5.92	5.12	5.11	5.11	5.14	
Amps	7.5	12.0	16.4	16.6	11.8	18.8	18.7	18.9	21.4	21.3	21.3	21.5	24.2	24.1	24.0	24.3	23.7	23.7	23.7	23.8	20.6	20.6	20.5	20.7	
Hi PR	259	281	302	307	316	347	349	354	394	396	398	403	447	448	447	455	487	488	490	495	522	523	525	530	
Lo PR	120	119	125	135	120	122	131	141	119	127	135	146	123	130	141	150	127	134	143	155	135	143	153	164	
MBh	40.1	57.2	61.5	64.1	51.6	58.4	60.0	62.6	55.2	55.9	57.6	60.1	51.8	52.6	54.2	56.6	44.2	44.9	46.3	48.6	34.9	35.5	36.7	38.6	
S/T	0.97	0.85	0.71	0.57	0.93	0.84	0.71	0.58	0.93	0.86	0.73	0.60	1.00	0.88	0.75	0.62	1.00	0.92	0.79	0.65	1.00	1.00	0.86	0.72	
ΔT	28	27	22	18	29	25	21	18	27	25	21	18	26	24	21	17	27	25	21	18	27	25	22	18	
kW	2.19	3.60	4.18	4.23	3.67	4.75	4.74	4.78	5.37	5.37	5.36	5.40	6.03	6.03	6.02	6.06	5.92	5.92	5.91	5.95	5.14	5.13	5.13	5.15	
Amps	8.9	14.2	16.5	16.7	14.6	18.9	18.8	19.0	21.5	21.5	21.4	21.6	24.3	24.3	24.2	24.4	23.8	23.8	23.8	23.9	20.7	20.6	20.6	20.7	
Hi PR	268	293	305	310	331	350	352	357	397	399	401	406	450	451	453	458	490	491	493	498	525	526	528	532	
Lo PR	119	119	127	138	119	124	133	144	122	129	138	149	125	133	142	153	129	137	146	157	137	145	155	167	

85	MBh	34.0	50.4	60.5	63.1	44.0	57.4	59.0	61.6	54.2	55.0	56.6	59.1	50.8	51.6	53.2	55.7	43.3	44.0	45.5	47.7	34.2	34.8	36.0	37.9
	S/T	1.00	0.85	0.69	0.56	1.00	0.83	0.70	0.56	1.00	0.85	0.72	0.59	1.00	0.87	0.74	0.61	1.00	0.91	0.78	0.64	1.00	1.00	0.85	0.71
	ΔT	33	34	28	25	34	31	28	24	33	31	28	24	32	30	27	23	33	31	28	24	33	31	28	24
	kW	1.82	2.99	4.13	4.17	2.93	4.69	4.68	4.73	5.32	5.31	5.30	5.34	5.98	5.98	5.97	6.01	5.88	5.87	5.87	5.90	5.10	5.10	5.09	5.12
	Amps	7.4	11.9	16.3	16.5	11.8	18.6	18.6	18.8	21.3	21.2	21.2	21.4	24.0	24.0	24.0	24.2	23.6	23.6	23.6	23.7	20.5	20.5	20.5	20.6
	Hi PR	258	280	301	306	314	345	347	352	393	394	396	401	445	447	449	454	485	487	489	494	520	522	523	528
	Lo PR	119	119	124	135	120	122	130	141	119	126	135	146	123	130	139	150	126	134	143	154	135	143	152	164
	MBh	38.6	53.5	61.4	64.0	49.2	58.2	59.9	62.4	55.0	55.8	57.5	60.0	51.7	52.4	54.0	56.5	44.1	44.7	46.2	48.4	34.8	35.4	36.6	38.5
	S/T	1.00	0.91	0.77	0.63	1.00	0.90	0.77	0.64	1.00	0.92	0.79	0.66	1.00	0.94	0.81	0.68	1.00	1.00	0.85	0.71	1.00	1.00	0.92	0.78
	ΔT	33	32	27	23	34	30	26	23	32	30	26	23	31	29	25	22	32	30	26	23	32	30	26	23
kW	2.09	3.24	4.16	4.21	3.40	4.73	4.72	4.76	5.35	5.35	5.34	5.38	6.02	6.01	6.00	6.05	5.91	5.91	5.90	5.93	5.12	5.12	5.11	5.14	
Amps	8.5	12.8	16.5	16.6	13.5	18.8	18.8	18.9	21.4	21.4	21.3	21.5	24.2	24.2	24.1	24.3	23.7	23.7	23.7	23.9	20.6	20.6	20.6	20.7	
Hi PR	265	286	304	309	325	348	350	355	396	397	399	404	448	450	452	457	488	490	492	497	523	524	526	531	
Lo PR	119	120	127	137	120	124	132	143	121	128	137	148	124	132	141	152	128	136	145	156	137	145	154	166	
MBh	44.8	60.8	62.5	65.1	55.9	59.3	61.0	63.5	56.1	56.9	58.5	61.0	52.7	53.5	55.1	57.6	45.0	45.7	47.2	49.4	35.6	36.2	37.4	39.3	
S/T	1.00	0.93	0.80	0.67	1.00	0.93	0.81	0.67	1.00	0.96	0.83	0.70	1.00	0.98	0.85	0.71	1.00	1.00	0.89	0.75	1.00	1.00	0.96	0.82	
ΔT	32	30	26	22	33	29	25	22	30	29	25	21	30	28	24	21	31	29	25	21	30	29	25	22	
kW	2.50	4.20	4.19	4.24	4.07	4.76	4.75	4.79	5.38	5.38	5.37	5.41	6.05	6.04	6.03	6.07	5.93	5.93	5.92	5.96	5.14	5.14	5.13	5.16	
Amps	10.0	16.6	16.6	16.8	16.1	18.9	18.9	19.1	21.5	21.5	21.5	21.7	24.3	24.3	24.3	24.5	23.9	23.8	23.8	24.0	20.7	20.7	20.6	20.8	
Hi PR	275	304	306	312	338	351	353	358	399	400	402	407	451	453	455	460	491	492	494	499	526	527	529	534	
Lo PR	119	120	129	140	119	126	135	146	123	131	139	150	127	134	143	154	130	138	147	159	139	147	157	169	

IDB*: Entering Indoor Dry Bulb Temperature
 High and low pressures are measured at the liquid and suction service valves.
 Airflow may vary depending on actual ambient conditions and system operation modes.
 Shaded area is AHRI conditions
 kW = Total system power
 Amps = outdoor unit amps

PERFORMANCE DATA FOR STANDARD OPERATING MODE

GZV6SA1810A* / AHVE24BP1300A*				
DESIGN SUBCOOLING @ AHRI 95°F CONDITIONS 9-11°F				
AT 100% DEMAND				
OUTDOOR TEMP °F	TOTAL BTU/H	SENSIBLE BTU/H	LATENT BTU/H	TOTAL WATTS
75°	19,000	13,500	5,500	1,080
80°	18,600	13,400	5,200	1,200
85°	18,100	13,200	4,900	1,250
90°	17,600	13,000	4,600	1,300
95°	17,100	12,800	4,300	1,430
100°	16,400	12,500	3,900	1,500
105°	15,700	12,100	3,600	1,650
110°	15,100	12,000	3,100	1,800
115°	14,500	11,900	2,600	1,900
TVA Conditions @ 95° OD DB, 75° ID, 63° ID WB				
95°	16,400	12,500	3,900	1,430

GZV6SA1810A* / AHVE24BP1300A*				
DESIGN SUBCOOLING @ AHRI 95°F CONDITIONS 9-11°F				
IN BOOST MODE				
OUTDOOR TEMP °F	TOTAL BTU/H	SENSIBLE BTU/H	LATENT BTU/H	TOTAL WATTS
75°	20,500	14,800	5,700	1,100
80°	20,000	14,600	5,400	1,200
85°	19,500	14,400	5,100	1,300
90°	18,900	14,200	4,700	1,400
95°	18,300	13,900	4,400	1,450
100°	17,600	13,600	4,000	1,600
105°	16,900	13,200	3,700	1,700
110°	16,300	13,100	3,200	1,800
115°	15,700	13,000	2,700	1,950
TVA Conditions @ 95° OD DB, 75° ID, 63° ID WB				
95°	17,600	13,600	4,000	1,450

GZV6SA2410A* / AHVE24BP1300A*				
DESIGN SUBCOOLING @ AHRI 95°F CONDITIONS 11-13°F				
AT 100% DEMAND				
OUTDOOR TEMP °F	TOTAL BTU/H	SENSIBLE BTU/H	LATENT BTU/H	TOTAL WATTS
75°	26,000	18,200	7,800	1,790
80°	25,400	18,000	7,400	1,900
85°	24,700	17,800	6,900	2,030
90°	24,000	17,500	6,500	2,200
95°	23,200	17,200	6,000	2,270
100°	22,200	16,600	5,600	2,400
105°	21,100	16,000	5,100	2,570
110°	20,300	15,900	4,400	2,700
115°	19,400	15,700	3,700	2,910
TVA Conditions @ 95° OD DB, 75° ID, 63° ID WB				
95°	22,200	16,700	5,500	2,290

GZV6SA2410A* / AHVE24BP1300A*				
DESIGN SUBCOOLING @ AHRI 95°F CONDITIONS 11-13°F				
IN BOOST MODE				
OUTDOOR TEMP °F	TOTAL BTU/H	SENSIBLE BTU/H	LATENT BTU/H	TOTAL WATTS
75°	28,300	20,100	8,200	1,900
80°	27,600	19,900	7,700	2,000
85°	26,900	19,600	7,300	2,150
90°	26,000	19,200	6,800	2,300
95°	25,100	18,800	6,300	2,400
100°	24,100	18,300	5,800	2,600
105°	23,000	17,700	5,300	2,700
110°	22,100	17,600	4,500	2,900
115°	21,200	17,400	3,800	3,100
TVA Conditions @ 95° OD DB, 75° ID, 63° ID WB				
95°	24,200	18,400	5,800	2,400

PERFORMANCE DATA FOR STANDARD OPERATING MODE (CONT.)

GZV6SA3010A* / AHVE36CP1300A*				
DESIGN SUBCOOLING @ AHRI 95°F CONDITIONS 13-15°F				
AT 100% DEMAND				
Outdoor Temp °F	Total BTU/h	Sensible BTU/h	Latent BTU/h	Total Watts
75°	31,800	22,900	8,900	2,280
80°	31,000	22,800	8,200	2,400
85°	30,200	22,700	7,500	2,550
90°	29,300	22,300	7,000	2,700
95°	28,400	21,900	6,500	2,840
100°	27,200	21,300	5,900	3,000
105°	25,900	20,700	5,200	3,160
110°	24,900	20,600	4,300	3,300
115°	23,800	20,500	3,300	3,530
TVA Conditions @ 95° OD DB, 75° ID, 63° ID WB				
95°	27,100	21,100	6,000	2,850

GZV6SA3010A* / AHVE36CP1300A*				
DESIGN SUBCOOLING @ AHRI 95°F CONDITIONS 13-15°F				
IN BOOST MODE				
OUTDOOR TEMP °F	TOTAL BTU/H	SENSIBLE BTU/H	LATENT BTU/H	TOTAL WATTS
75°	34,700	24,600	10,100	2,350
80°	33,900	24,500	9,400	2,500
85°	33,000	24,400	8,600	2,600
90°	31,900	23,900	8,000	2,800
95°	30,700	23,300	7,400	2,900
100°	29,500	22,800	6,700	3,100
105°	28,200	22,300	5,900	3,250
110°	27,100	22,100	5,000	3,400
115°	26,000	21,800	4,200	3,600
TVA CONDITIONS @ 95° OD DB, 75° ID, 63° ID WB				
95°	29,600	22,800	6,800	2,900

GZV6SA3610A* / AHVE36CP1300A*				
DESIGN SUBCOOLING @ AHRI 95°F CONDITIONS 14-16°F				
AT 100% DEMAND				
Outdoor Temp °F	Total BTU/h	Sensible BTU/h	Latent BTU/h	Total Watts
75°	38,300	28,000	10,300	3,050
80°	37,300	27,600	9,700	3,200
85°	36,300	27,200	9,100	3,430
90°	35,300	26,800	8,500	3,600
95°	34,200	26,300	7,900	3,800
100°	32,500	25,300	7,200	4,100
105°	30,800	24,300	6,500	4,310
110°	29,800	24,600	5,200	4,400
115°	28,800	24,800	4,000	4,390
TVA Conditions @ 95° OD DB, 75° ID, 63° ID WB				
95°	32,500	25,400	7,100	3,850

GZV6SA3610A* / AHVE36CP1300A*				
DESIGN SUBCOOLING @ AHRI 95°F CONDITIONS 14-16°F				
IN BOOST MODE				
OUTDOOR TEMP °F	TOTAL BTU/H	SENSIBLE BTU/H	LATENT BTU/H	TOTAL WATTS
75°	41,200	30,100	11,100	3,100
80°	40,100	29,700	10,400	3,300
85°	39,000	29,300	9,700	3,450
90°	37,600	28,600	9,000	3,700
95°	36,200	27,900	8,300	3,900
100°	34,700	27,000	7,700	4,100
105°	33,100	26,100	7,000	4,350
110°	31,000	25,500	5,500	4,400
115°	28,800	24,800	4,000	4,400
TVA CONDITIONS @ 95° OD DB, 75° ID, 63° ID WB				
95°	34,900	27,200	7,700	3,900

PERFORMANCE DATA FOR STANDARD OPERATING MODE (CONT.)

GZV6SA4210A* / AHVE48DP1300A*				
DESIGN SUBCOOLING @ AHRI 95°F CONDITIONS 7-9°F				
AT 100% DEMAND				
OUTDOOR TEMP °F	TOTAL BTU/H	SENSIBLE BTU/H	LATENT BTU/H	TOTAL WATTS
75°	44,000	30,400	13,600	3,720
80°	43,400	30,400	13,000	3,900
85°	42,800	30,400	12,400	4,120
90°	41,900	30,200	11,700	4,300
95°	41,000	29,900	11,100	4,560
100°	39,800	29,400	10,400	4,800
105°	38,500	28,900	9,600	5,010
110°	35,200	27,400	7,800	4,100
115°	31,900	25,800	6,100	3,120
TVA Conditions @ 95° OD DB, 75° ID, 63° ID WB				
95°	39,400	29,200	10,200	4,550

GZV6SA4210A* / AHVE48DP1300A*				
DESIGN SUBCOOLING @ AHRI 95°F CONDITIONS 7-9°F				
IN BOOST MODE				
OUTDOOR TEMP °F	TOTAL BTU/H	SENSIBLE BTU/H	LATENT BTU/H	TOTAL WATTS
75°	47,600	31,900	15,700	3,100
80°	47,000	31,900	15,100	3,300
85°	46,300	31,900	14,400	3,450
90°	45,300	31,700	13,600	3,600
95°	44,200	31,400	12,800	3,800
100°	42,900	30,900	12,000	4,000
105°	41,600	30,400	11,200	4,150
110°	36,800	28,100	8,700	3,700
115°	31,900	25,800	6,100	3,150
TVA Conditions @ 95° OD DB, 75° ID, 63° ID WB				
95°	42,600	30,700	11,900	3,800

GZV6SA4810A* / AHVE48DP1300A*				
DESIGN SUBCOOLING @ AHRI 95°F CONDITIONS 8-10°F				
AT 100% DEMAND				
OUTDOOR TEMP °F	TOTAL BTU/H	SENSIBLE BTU/H	LATENT BTU/H	TOTAL WATTS
75°	50,700	34,500	16,200	4,130
80°	49,600	34,500	15,100	4,300
85°	48,400	34,400	14,000	4,550
90°	47,000	33,800	13,200	4,800
95°	45,500	33,200	12,300	5,000
100°	43,700	32,500	11,200	5,200
105°	41,800	31,800	10,000	5,450
110°	37,000	28,900	8,100	4,400
115°	32,100	26,000	6,100	3,340
TVA Conditions @ 95° OD DB, 75° ID, 63° ID WB				
95°	43,700	32,300	11,400	4,990

GZV6SA4810A* / AHVE48DP1300A*				
DESIGN SUBCOOLING @ AHRI 95°F CONDITIONS 8-10°F				
IN BOOST MODE				
OUTDOOR TEMP °F	TOTAL BTU/H	SENSIBLE BTU/H	LATENT BTU/H	TOTAL WATTS
75°	56,000	35,800	20,200	4,100
80°	54,800	35,600	19,200	4,300
85°	53,500	35,300	18,200	4,500
90°	51,800	35,000	16,800	4,700
95°	50,100	34,600	15,500	4,950
100°	48,200	33,800	14,400	5,200
105°	46,300	32,900	13,400	5,400
110°	39,200	29,500	9,700	4,400
115°	32,100	26,000	6,100	3,350
TVA Conditions @ 95° OD DB, 75° ID, 63° ID WB				
95°	48,300	33,300	15,000	4,950

PERFORMANCE DATA FOR STANDARD OPERATING MODE (CONT.)

GZV6SA6010A* / AHVE60DP1300A*				
DESIGN SUBCOOLING @ AHRI 95°F CONDITIONS 8-10°F				
AT 100% DEMAND				
Outdoor Temp °F	Total BTU/h	Sensible BTU/h	Latent BTU/h	Total Watts
75°	59,000	40,100	18,900	4,710
80°	57,800	39,900	17,900	5,000
85°	56,500	39,600	16,900	5,330
90°	55,000	39,100	15,900	5,600
95°	53,500	38,500	15,000	5,940
100°	49,500	36,300	13,200	5,900
105°	45,400	34,100	11,300	5,890
110°	40,700	31,800	8,900	5,500
115°	35,900	29,400	6,500	5,110
TVA Conditions @ 95° OD DB, 75° ID, 63° ID WB				
95°	51,200	37,400	13,800	6,000

GZV6SA6010A* / AHVE60DP1300A*				
DESIGN SUBCOOLING @ AHRI 95°F CONDITIONS 8-10°F				
IN BOOST MODE				
OUTDOOR TEMP °F	TOTAL BTU/H	SENSIBLE BTU/H	LATENT BTU/H	TOTAL WATTS
75°	62,400	40,600	21,800	5,950
80°	62,100	41,000	21,100	6,350
85°	61,500	41,200	20,300	6,700
90°	59,900	41,000	18,900	6,950
95°	57,500	40,300	17,200	7,300
100°	51,500	37,200	14,300	6,550
105°	45,400	34,000	11,400	5,900
110°	40,700	31,800	8,900	5,550
115°	35,900	29,500	6,400	5,150
TVA CONDITIONS @ 95° OD DB, 75° ID, 63° ID WB				
95°	55,400	39,300	16,100	7,300

EXPANDED HEATING DATA — NORMAL HEATING MODE

GZV6SA1810A* + AHVE24BP1300A*

	OUTDOOR AMBIENT TEMPERATURE																	
	65	60	55	50	47	45	40	35	30	25	20	17	15	10	5	0	-5	-10
MBh	23.3	21.3	19.6	18.2	17.4	16.9	15.9	20.3	19.0	17.8	16.6	15.8	15.4	14.1	13.0	11.6	9.4	7.4
T/R	37	33	31	28	27	26	25	35	33	31	29	27	27	24	22	20	16	13
KW	1.73	1.68	1.65	1.61	1.59	1.58	1.55	2.17	2.10	2.04	1.98	1.94	1.92	1.86	1.81	1.72	1.47	1.24
AMPS	5.8	5.6	5.5	5.3	5.3	5.2	5.1	9.3	9.0	8.7	8.4	8.3	8.1	7.9	7.7	7.2	6.1	5.0
COP	3.96	3.71	3.49	3.30	3.20	3.14	2.99	2.74	2.65	2.56	2.46	2.39	2.34	2.22	2.10	2.05	1.99	1.95
Hi PR	395	377	362	349	342	338	329	371	360	350	341	336	332	324	316	301	270	236
LO PR	159	142	127	115	109	105	96	83	76	69	62	58	56	49	44	35	29	24

GZV6SA2410A* + AHVE24BP1300A*

	OUTDOOR AMBIENT TEMPERATURE																	
	65	60	55	50	47	45	40	35	30	25	20	17	15	10	5	0	-5	-10
MBh	31.0	28.3	26.0	24.2	23.2	22.6	21.2	21.4	19.9	18.6	17.4	16.6	16.2	15.1	14.2	12.2	10.9	8.4
T/R	40	36	33	31	30	29	27	26	25	23	21	20	20	18	17	15	13	10
KW	2.30	2.22	2.15	2.09	2.06	2.04	2.00	2.29	2.23	2.17	2.12	2.09	2.07	2.02	1.98	1.90	1.84	1.55
AMPS	9.4	9.1	8.8	8.5	8.3	8.3	8.1	8.5	8.3	8.1	7.8	7.7	7.6	7.4	7.3	6.9	6.7	5.4
COP	3.95	3.74	3.55	3.39	3.30	3.25	3.12	2.74	2.62	2.51	2.40	2.33	2.29	2.18	2.10	1.96	1.85	1.77
Hi PR	400	380	363	350	343	339	330	331	322	314	306	301	298	291	284	273	264	239
LO PR	151	134	120	108	102	99	91	80	73	66	60	56	54	49	44	34	28	24

GZV6SA3010A* + AHVE36CP1300A*

	OUTDOOR AMBIENT TEMPERATURE																	
	65	60	55	50	47	45	40	35	30	25	20	17	15	10	5	0	-5	-10
MBh	38.8	35.2	32.3	30.0	28.8	28.1	26.4	26.9	25.3	23.6	21.9	20.9	20.2	18.5	17.0	15.1	12.6	10.4
T/R	38	34	31	29	28	27	25	28	26	24	22	21	21	19	17	15	13	10
KW	2.84	2.74	2.66	2.59	2.56	2.54	2.48	2.83	2.76	2.69	2.61	2.56	2.53	2.45	2.37	2.30	2.06	1.83
AMPS	10.9	10.4	10.1	9.8	9.6	9.5	9.3	11.0	10.7	10.4	10.1	9.9	9.7	9.4	9.1	8.7	7.7	6.7
COP	4.00	3.76	3.56	3.39	3.30	3.25	3.12	2.78	2.68	2.57	2.46	2.39	2.34	2.21	2.10	2.01	1.93	1.85
Hi PR	382	363	348	335	329	325	317	317	309	302	295	291	289	282	277	266	249	232
LO PR	144	127	113	102	97	93	86	81	74	67	60	56	53	47	42	33	28	23

GZV6SA3610A* + AHVE36CP1300A*

	OUTDOOR AMBIENT TEMPERATURE																	
	65	60	55	50	47	45	40	35	30	25	20	17	15	10	5	0	-5	-10
MBh	47.5	42.8	39.1	36.1	34.6	33.7	31.6	32.4	30.2	28.0	25.9	24.6	23.7	21.7	20.0	17.3	15.1	11.1
T/R	37	33	30	28	27	26	24	25	23	21	20	19	18	16	15	13	11	8
KW	3.48	3.33	3.22	3.12	3.07	3.04	2.98	3.46	3.37	3.29	3.20	3.14	3.11	3.01	2.93	2.84	2.75	2.24
AMPS	12.7	12.1	11.6	11.2	11.0	10.9	10.6	10.9	10.6	10.3	10.0	9.8	9.6	9.3	9.0	8.7	8.4	6.6
COP	4.00	3.77	3.56	3.39	3.30	3.24	3.12	2.75	2.62	2.50	2.37	2.29	2.24	2.11	2.00	1.87	1.74	1.65
Hi PR	386	365	348	335	329	325	316	311	303	296	289	285	282	276	271	260	253	237
LO PR	147	129	115	104	98	94	87	80	73	66	60	56	53	47	42	33	26	25

Calculations are based on nominal CFM and 70 °F indoor dry bulb.

Amps = Outdoor unit amps (comp.+fan)

Note: Shaded area is AHRI Rating Conditions at 47°F outdoor ambient temperature

KW= Total system power

EXPANDED HEATING DATA — NORMAL HEATING MODE (CONT.)

GZV6SA4210A* + AHVE48DP1300A*

	OUTDOOR AMBIENT TEMPERATURE																	
	65	60	55	50	47	45	40	35	30	25	20	17	15	10	5	0	-5	-10
MBh	53.8	48.7	44.8	41.6	40.0	39.0	36.8	44.5	41.3	38.3	35.4	33.7	32.5	29.8	27.8	23.6	17.0	12.4
T/R	39	36	33	30	29	28	27	34	32	29	27	26	25	23	21	18	13	9
KW	3.98	3.83	3.71	3.61	3.55	3.52	3.44	4.94	4.79	4.65	4.50	4.41	4.36	4.20	4.07	3.89	2.90	2.35
AMPS	15.7	15.1	14.6	14.1	13.9	13.7	13.4	20.4	19.8	19.2	18.5	18.2	17.9	17.2	16.6	15.9	11.5	9.0
COP	3.96	3.73	3.54	3.38	3.30	3.25	3.13	2.64	2.53	2.42	2.30	2.24	2.19	2.08	2.00	1.87	1.87	1.79
Hi PR	402	381	365	353	346	343	335	364	354	343	332	325	320	309	298	286	242	210
LO PR	145	127	113	102	97	93	86	71	65	59	54	51	49	44	40	31	26	21

GZV6SA4810A* + AHVE48DP1300A*

	OUTDOOR AMBIENT TEMPERATURE																	
	65	60	55	50	47	45	40	35	30	25	20	17	15	10	5	0	-5	-10
MBh	61.0	55.4	50.9	47.3	45.5	44.4	41.9	44.8	41.6	38.6	35.7	33.9	32.8	30.0	28.0	23.8	17.1	12.7
T/R	44	40	36	34	32	32	30	33	30	28	26	25	24	22	20	17	12	10
KW	4.65	4.43	4.26	4.11	4.04	4.00	3.89	4.97	4.82	4.68	4.54	4.45	4.39	4.23	4.10	3.92	2.99	2.48
AMPS	20.0	19.0	18.2	17.6	17.2	17.0	16.5	20.3	19.7	19.1	18.4	18.0	17.8	17.1	16.5	15.8	11.7	9.5
COP	3.85	3.66	3.50	3.37	3.30	3.26	3.15	2.64	2.53	2.42	2.30	2.24	2.19	2.08	2.00	1.87	1.83	1.73
Hi PR	428	405	386	372	365	361	352	362	352	341	330	323	319	307	297	285	246	215
LO PR	143	126	112	101	95	92	85	71	65	59	54	51	49	44	40	31	26	21

GZV6SA6010A* + AHVE60DP1300A*

	OUTDOOR AMBIENT TEMPERATURE																	
	65	60	55	50	47	45	40	35	30	25	20	17	15	10	5	0	-5	-10
MBh	73.9	66.9	61.3	56.8	54.5	53.1	50.0	54.7	51.1	47.5	43.7	41.4	39.9	36.2	33.0	28.8	25.1	19.0
T/R	42	38	35	32	31	30	28	32	30	28	26	24	23	21	19	17	14	11
KW	5.57	5.31	5.10	4.93	4.84	4.79	4.66	6.05	5.85	5.65	5.45	5.32	5.24	5.02	4.84	4.64	4.40	3.54
AMPS	20.5	19.5	18.6	17.9	17.6	17.4	16.9	21.0	20.3	19.5	18.8	18.3	18.0	17.2	16.4	15.7	14.8	11.8
COP	3.89	3.69	3.52	3.38	3.30	3.25	3.14	2.65	2.56	2.46	2.35	2.28	2.23	2.11	2.00	1.92	1.83	1.81
Hi PR	432	407	387	372	364	360	349	354	342	331	320	313	309	298	290	274	262	231
LO PR	145	127	113	102	96	92	85	71	65	59	54	50	48	44	40	34	27	23

Calculations are based on nominal CFM and 70 °F indoor dry bulb.

Amps = Outdoor unit amps (comp.+fan)

Note: Shaded area is AHRI Rating Conditions at 47°F outdoor ambient temperature

KW= Total system power

EXPANDED HEATING DATA — HEATING BOOST MODE

GZV6SA1810A* + AHVE24BP1300A*

	OUTDOOR AMBIENT TEMPERATURE							
	65	60	55	50	47	45	40	35 OR LOWER
MBh	28.1	27.8	25.7	24.7	23.7	23.0	21.6	Same as normal heating mode
T/R	49	49	45	43	41	40	38	
KW	2.28	2.52	2.40	2.44	2.38	2.34	2.25	
AMPS	9.8	10.9	10.3	10.5	10.3	10.1	9.7	
COP	3.61	3.24	3.14	2.96	2.91	2.89	2.81	
Hi PR	454	450	427	415	404	398	383	
LO PR	157	138	124	110	104	100	91	

GZV6SA2410A* + AHVE24BP1300A*

	OUTDOOR AMBIENT TEMPERATURE							
	65	60	55	50	47	45	40	35 OR LOWER
MBh	33.7	31.1	28.8	26.6	25.4	24.7	23.0	Same as normal heating mode
T/R	42	39	36	33	32	31	29	
KW	2.81	2.71	2.61	2.51	2.46	2.43	2.36	
AMPS	10.7	10.3	9.9	9.5	9.3	9.1	8.8	
COP	3.52	3.37	3.23	3.10	3.03	2.98	2.85	
Hi PR	419	397	379	364	356	351	340	
LO PR	147	131	118	106	100	96	88	

GZV6SA3010A* + AHVE36CP1300A*

	OUTDOOR AMBIENT TEMPERATURE							
	65	60	55	50	47	45	40	35 OR LOWER
MBh	42.4	38.5	35.4	32.8	31.4	30.6	28.7	Same as normal heating mode
T/R	45	40	37	34	33	32	30	
KW	3.54	3.36	3.21	3.09	3.03	3.00	2.91	
AMPS	14.1	13.3	12.7	12.2	11.9	11.7	11.4	
COP	3.51	3.36	3.23	3.11	3.04	2.99	2.89	
Hi PR	402	381	363	349	341	337	326	
LO PR	149	131	118	106	100	97	88	

GZV6SA3610A* + AHVE36CP1300A*

	OUTDOOR AMBIENT TEMPERATURE							
	65	60	55	50	47	45	40	35 OR LOWER
MBh	52.3	47.4	43.3	40.0	38.3	37.2	34.7	Same as normal heating mode
T/R	41	37	33	31	29	29	27	
KW	4.21	4.01	3.86	3.74	3.67	3.63	3.54	
AMPS	13.7	13.0	12.4	11.9	11.7	11.6	11.2	
COP	3.64	3.46	3.29	3.14	3.05	3.00	2.87	
Hi PR	392	371	354	340	333	329	319	
LO PR	148	130	116	105	99	95	87	

Calculations are based on nominal CFM and 70 °F indoor dry bulb.

Amps = Outdoor unit amps (comp.+fan)

Note: Shaded area is AHRI Rating Conditions at 47°F outdoor ambient temperature

KW= Total system power

GZV6SA4210A* + AHVE48DP1300A*

	OUTDOOR AMBIENT TEMPERATURE							35 OR LOWER
	65	60	55	50	47	45	40	
MBh	65.2	66.6	60.6	55.7	53.1	51.5	47.8	Same as normal heating mode
T/R	51	52	47	43	41	40	37	
KW	5.36	6.29	5.86	5.54	5.38	5.29	5.10	
AMPS	22.3	26.4	24.5	23.1	22.4	22.0	21.1	
COP	3.56	3.10	3.03	2.95	2.89	2.85	2.75	
Hi PR	455	459	428	405	395	388	375	
LO PR	146	125	110	97	90	87	78	

GZV6SA4810A* + AHVE48DP1300A*

	OUTDOOR AMBIENT TEMPERATURE							35 OR LOWER
	65	60	55	50	47	45	40	
MBh	61.0	67.1	61.1	56.1	53.5	51.8	48.1	Same as normal heating mode
T/R	44	49	45	41	39	38	35	
KW	4.65	6.34	5.91	5.58	5.42	5.33	5.14	
AMPS	20.0	26.3	24.4	23.0	22.3	21.9	21.0	
COP	3.85	3.10	3.03	2.95	2.89	2.85	2.75	
Hi PR	428	456	425	403	392	386	373	
LO PR	143	126	110	97	91	87	79	

GZV6SA6010A* + AHVE60DP1300A*

	OUTDOOR AMBIENT TEMPERATURE							35 OR LOWER
	65	60	55	50	47	45	40	
MBh	86.0	77.9	71.6	66.5	63.8	62.2	58.3	Same as normal heating mode
T/R	51	46	43	39	38	37	35	
KW	7.84	7.37	7.00	6.70	6.55	6.46	6.25	
AMPS	27.8	26.0	24.6	23.5	22.9	22.5	21.7	
COP	3.21	3.10	3.00	2.91	2.85	2.82	2.74	
Hi PR	461	433	411	394	384	379	366	
LO PR	136	120	107	96	90	86	78	

Calculations are based on nominal CFM and 70 °F indoor dry bulb.

Amps = Outdoor unit amps (comp.+fan)

Note: Shaded area is AHRI Rating Conditions at 47°F outdoor ambient temperature

KW= Total system power

EXPANDED HEATING DATA – NEW

GZV6SA1810A* + AHVE24BP1300A*

OUTDOOR AIR TEMPERATURE	INDOOR AIR TEMPERATURE, °FDB											
	61		65		68		70		72		75	
	TC	PI	TC	PI	TC	PI	TC	PI	TC	PI	TC	PI
°FDB	MBH	kW	MBH	kW	MBH	kW	MBH	kW	MBH	kW	MBH	kW
-10	8.1	1.23	7.7	1.23	7.7	1.26	7.4	1.24	7.4	1.27	7.0	1.24
-5	10.5	1.51	9.9	1.49	9.4	1.44	9.4	1.47	9.3	1.50	8.9	1.48
0	11.8	1.57	11.7	1.63	11.6	1.69	11.6	1.72	11.5	1.75	10.9	1.71
5	13.2	1.65	13.1	1.72	13.0	1.77	13.0	1.81	12.9	1.84	12.8	1.89
10	14.4	1.70	14.3	1.77	14.2	1.83	14.1	1.86	14.1	1.90	13.9	1.96
15	15.7	1.75	15.5	1.83	15.4	1.88	15.4	1.92	15.3	1.96	15.2	2.02
17	16.2	1.77	16.0	1.85	15.9	1.90	15.8	1.94	15.8	1.98	15.7	2.04
20	17.0	1.80	16.8	1.88	16.7	1.94	16.6	1.98	16.5	2.02	16.4	2.08
25	18.2	1.86	18.0	1.94	17.9	2.00	17.8	2.04	17.7	2.08	17.6	2.14
30	19.5	1.92	19.3	2.00	19.1	2.06	19.0	2.10	18.9	2.14	18.8	2.21
35	20.7	1.98	20.5	2.07	20.4	2.13	20.3	2.17	20.2	2.22	20.0	2.28
40	16.2	1.42	16.1	1.48	15.9	1.52	15.9	1.55	15.8	1.58	15.7	1.63
45	17.3	1.44	17.1	1.50	17.0	1.55	16.9	1.58	16.9	1.61	16.7	1.66
47	17.8	1.45	17.6	1.52	17.5	1.56	17.4	1.59	17.3	1.63	17.2	1.67
50	18.6	1.47	18.4	1.53	18.2	1.58	18.2	1.61	18.1	1.64	17.9	1.69
55	20.0	1.50	19.8	1.56	19.7	1.61	19.6	1.65	19.5	1.68	19.3	1.73
60	21.7	1.53	21.5	1.60	21.4	1.65	21.3	1.68	21.2	1.72	21.0	1.77
65	23.8	1.57	23.6	1.64	23.4	1.69	23.3	1.73	23.2	1.76	23.0	1.81

GZV6SA2410A* + AHVE24BP1300A*

OUTDOOR AIR TEMPERATURE	INDOOR AIR TEMPERATURE, °FDB											
	61		65		68		70		72		75	
	TC	PI	TC	PI	TC	PI	TC	PI	TC	PI	TC	PI
°FDB	MBH	kW	MBH	kW	MBH	kW	MBH	kW	MBH	kW	MBH	kW
-10	9.2	1.57	8.7	1.53	8.4	1.52	8.4	1.55	8.1	1.51	7.7	1.49
-5	11.0	1.69	11.0	1.76	10.9	1.81	10.9	1.84	10.3	1.79	9.8	1.73
0	12.4	1.75	12.3	1.82	12.3	1.87	12.2	1.90	12.2	1.93	12.1	1.99
5	14.2	1.81	14.1	1.88	14.0	1.93	14.2	1.98	13.9	2.01	13.8	2.06
10	15.3	1.86	15.2	1.93	15.1	1.99	15.1	2.02	15.0	2.06	14.9	2.11
15	16.5	1.90	16.4	1.98	16.2	2.03	16.2	2.07	16.1	2.11	16.0	2.17
17	16.9	1.92	16.8	2.00	16.7	2.05	16.6	2.09	16.6	2.13	16.5	2.19
20	17.7	1.95	17.5	2.03	17.4	2.08	17.4	2.12	17.3	2.16	17.2	2.22
25	18.9	2.00	18.8	2.08	18.7	2.13	18.6	2.17	18.5	2.21	18.4	2.27
30	20.3	2.05	20.1	2.13	20.0	2.19	19.9	2.23	19.9	2.27	19.7	2.33
35	21.7	2.10	21.6	2.19	21.5	2.25	21.4	2.29	21.3	2.33	21.2	2.39
40	21.6	1.84	21.5	1.91	21.3	1.96	21.2	2.00	21.1	2.03	21.0	2.09
45	23.0	1.88	22.8	1.95	22.7	2.00	22.6	2.04	22.5	2.08	22.4	2.14
47	23.6	1.90	23.4	1.97	23.3	2.02	23.2	2.06	23.1	2.10	23.0	2.16
50	24.6	1.92	24.4	2.00	24.3	2.05	24.2	2.09	24.1	2.13	23.9	2.19
55	26.5	1.98	26.3	2.05	26.1	2.11	26.0	2.15	25.9	2.19	25.8	2.25
60	28.8	2.04	28.6	2.12	28.4	2.18	28.3	2.22	28.2	2.26	28.0	2.32
65	31.6	2.12	31.4	2.20	31.2	2.26	31.0	2.30	30.9	2.34	30.7	2.41

GZV6SA3010A* + AHVE36CP1300A*

OUTDOOR AIR TEMPERATURE	INDOOR AIR TEMPERATURE, °FDB											
	61		65		68		70		72		75	
	TC	PI	TC	PI	TC	PI	TC	PI	TC	PI	TC	PI
°FDB	MBH	kW	MBH	kW	MBH	kW	MBH	kW	MBH	kW	MBH	kW
-10	10.9	1.77	10.8	1.84	10.4	1.80	10.4	1.83	10.1	1.80	9.6	1.78
-5	13.6	2.05	13.5	2.13	13.4	2.18	12.6	2.06	12.6	2.10	12.5	2.15
0	15.4	2.13	15.3	2.20	15.2	2.26	15.1	2.30	15.0	2.34	14.9	2.40
5	17.2	2.19	17.0	2.27	16.9	2.33	17.0	2.37	16.8	2.41	16.7	2.47
10	18.9	2.27	18.7	2.35	18.6	2.41	18.5	2.45	18.4	2.49	18.3	2.56
15	20.6	2.34	20.4	2.43	20.3	2.49	20.2	2.53	20.1	2.58	20.0	2.64
17	21.3	2.37	21.1	2.46	21.0	2.52	20.9	2.56	20.8	2.61	20.7	2.68
20	22.3	2.42	22.1	2.50	22.0	2.57	21.9	2.61	21.8	2.66	21.7	2.73
25	24.0	2.49	23.8	2.57	23.7	2.64	23.6	2.69	23.5	2.73	23.3	2.80
30	25.7	2.55	25.5	2.64	25.4	2.71	25.3	2.76	25.1	2.81	25.0	2.88
35	27.4	2.62	27.2	2.72	27.0	2.79	26.9	2.83	26.8	2.88	26.7	2.96
40	26.9	2.30	26.7	2.38	26.5	2.44	26.4	2.48	26.3	2.52	26.2	2.59
45	28.6	2.35	28.4	2.43	28.2	2.49	28.1	2.54	28.0	2.58	27.8	2.65
47	29.3	2.37	29.1	2.45	28.9	2.51	28.8	2.56	28.7	2.60	28.5	2.67
50	30.5	2.40	30.3	2.49	30.1	2.55	30.0	2.59	29.9	2.64	29.7	2.71
55	32.9	2.46	32.7	2.55	32.5	2.62	32.3	2.66	32.2	2.71	32.0	2.78
60	35.9	2.54	35.6	2.63	35.4	2.70	35.2	2.74	35.1	2.79	34.9	2.86
65	39.5	2.63	39.2	2.72	39.0	2.79	38.8	2.84	38.7	2.89	38.4	2.97

EXPANDED HEATING DATA – BOOST MODE OPERATION

GZV6SA1810A* + AHVE24BP1300A*

OUTDOOR AIR TEMPERATURE	INDOOR AIR TEMPERATURE, °FDB											
	61		65		68		70		72		75	
	TC	PI	TC	PI	TC	PI	TC	PI	TC	PI	TC	PI
°FDB	MBH	kW	MBH	kW	MBH	kW	MBH	kW	MBH	kW	MBH	kW
35 or lower	Same as normal heating mode											
40	22.1	2.05	21.9	2.14	21.7	2.21	21.6	2.25	21.5	2.30	21.3	2.36
45	23.6	2.13	23.3	2.23	23.2	2.29	23.0	2.34	22.9	2.39	22.8	2.46
47	24.2	2.17	24.0	2.26	23.8	2.33	23.7	2.38	23.5	2.43	23.4	2.50
50	25.2	2.23	25.0	2.32	24.8	2.39	24.7	2.44	24.5	2.49	23.5	2.41
55	27.1	2.34	26.8	2.44	26.6	2.51	25.7	2.40	25.6	2.45	25.4	2.52
60	29.4	2.46	28.2	2.40	28.0	2.47	27.8	2.52	26.5	2.36	25.4	2.28
65	31.1	2.42	30.8	2.53	29.2	2.38	28.1	2.28	27.0	2.17	24.9	1.97

GZV6SA2410A* + AHVE24BP1300A*

OUTDOOR AIR TEMPERATURE	INDOOR AIR TEMPERATURE, °FDB											
	61		65		68		70		72		75	
	TC	PI	TC	PI	TC	PI	TC	PI	TC	PI	TC	PI
°FDB	MBH	kW	MBH	kW	MBH	kW	MBH	kW	MBH	kW	MBH	kW
35 or lower	Same as normal heating mode											
40	23.3	2.17	23.2	2.25	23.0	2.31	23.0	2.36	22.9	2.40	22.7	2.46
45	25.1	2.24	25.0	2.32	24.8	2.39	24.7	2.43	24.6	2.48	24.5	2.54
47	25.9	2.27	25.7	2.35	25.5	2.42	25.4	2.46	25.3	2.51	25.2	2.58
50	27.1	2.31	26.9	2.40	26.7	2.47	26.6	2.51	26.5	2.56	26.4	2.63
55	29.2	2.40	29.1	2.49	28.9	2.56	28.8	2.61	28.6	2.65	28.5	2.73
60	31.6	2.49	31.5	2.59	31.2	2.66	31.1	2.71	31.0	2.76	30.8	2.83
65	34.3	2.59	34.1	2.69	33.9	2.76	33.7	2.81	33.6	2.86	33.4	2.94

GZV6SA3010A* + AHVE36CP1300A*

OUTDOOR AIR TEMPERATURE	INDOOR AIR TEMPERATURE, °FDB											
	61		65		68		70		72		75	
	TC	PI	TC	PI	TC	PI	TC	PI	TC	PI	TC	PI
°FDB	MBH	kW	MBH	kW	MBH	kW	MBH	kW	MBH	kW	MBH	kW
35 or lower	Same as normal heating mode											
40	29.2	2.69	29.0	2.79	28.8	2.86	28.7	2.91	28.6	2.96	28.4	3.04
45	31.2	2.77	30.9	2.87	30.7	2.94	30.6	3.00	30.5	3.05	30.3	3.13
47	32.0	2.81	31.7	2.91	31.6	2.98	31.4	3.03	31.3	3.08	31.1	3.17
50	33.4	2.86	33.1	2.96	32.9	3.04	32.8	3.09	32.6	3.15	32.4	3.23
55	36.0	2.97	35.7	3.08	35.5	3.16	35.4	3.21	35.2	3.27	35.0	3.35
60	39.2	3.11	38.9	3.22	38.7	3.30	38.5	3.36	38.4	3.42	38.1	3.50
65	43.2	3.28	42.9	3.39	42.6	3.48	42.4	3.54	42.3	3.60	42.0	3.70

EXPANDED HEATING DATA – NEW

GZV6SA3610A* + AHVE36CP1300A*

OUTDOOR AIR TEMPERATURE	INDOOR AIR TEMPERATURE, °FDB											
	61		65		68		70		72		75	
	TC	PI	TC	PI	TC	PI	TC	PI	TC	PI	TC	PI
°FDB	MBH	kW	MBH	kW	MBH	kW	MBH	kW	MBH	kW	MBH	kW
-10	12.3	2.30	11.6	2.25	11.6	2.30	11.1	2.24	11.0	2.28	10.5	2.25
-5	15.4	2.55	15.3	2.64	15.2	2.71	15.1	2.75	14.6	2.71	14.0	2.67
0	17.6	2.64	17.5	2.73	17.4	2.79	17.3	2.84	17.2	2.89	17.1	2.97
5	20.1	2.71	20.0	2.80	19.8	2.87	20.0	2.93	19.7	2.97	19.5	3.05
10	22.1	2.79	21.9	2.89	21.8	2.96	21.7	3.01	21.6	3.06	21.4	3.14
15	24.2	2.88	24.0	2.98	23.8	3.05	23.7	3.11	23.6	3.16	23.5	3.24
17	25.1	2.92	24.9	3.01	24.7	3.09	24.6	3.14	24.5	3.20	24.3	3.28
20	26.4	2.97	26.2	3.07	26.0	3.14	25.9	3.20	25.8	3.25	25.6	3.34
25	28.6	3.05	28.3	3.15	28.2	3.23	28.0	3.29	27.9	3.34	27.7	3.43
30	30.8	3.13	30.5	3.24	30.3	3.32	30.2	3.37	30.1	3.43	29.9	3.52
35	33.1	3.21	32.8	3.32	32.5	3.40	32.4	3.46	32.3	3.52	32.0	3.61
40	32.3	2.76	32.0	2.85	31.8	2.93	31.6	2.98	31.5	3.03	31.3	3.11
45	34.4	2.82	34.1	2.92	33.8	2.99	33.7	3.04	33.5	3.10	33.3	3.18
47	35.3	2.85	35.0	2.95	34.8	3.02	34.6	3.07	34.5	3.13	34.2	3.21
50	36.9	2.89	36.5	2.99	36.3	3.07	36.1	3.12	36.0	3.17	35.7	3.26
55	39.9	2.98	39.5	3.08	39.3	3.16	39.1	3.22	38.9	3.27	38.7	3.36
60	43.7	3.09	43.3	3.20	43.0	3.28	42.8	3.33	42.6	3.39	42.4	3.48
65	48.5	3.23	48.0	3.34	47.7	3.42	47.5	3.48	47.3	3.54	47.0	3.63

GZV6SA4210A* + AHVE48DP1300A*

OUTDOOR AIR TEMPERATURE	INDOOR AIR TEMPERATURE, °FDB											
	61		65		68		70		72		75	
	TC	PI	TC	PI	TC	PI	TC	PI	TC	PI	TC	PI
°FDB	MBH	kW	MBH	kW	MBH	kW	MBH	kW	MBH	kW	MBH	kW
-10	12.6	2.16	12.5	2.24	12.4	2.30	12.4	2.35	12.4	2.39	11.7	2.33
-5	20.9	3.44	19.3	3.23	18.1	3.08	17.0	2.90	16.9	2.96	15.9	2.85
0	24.0	3.58	23.8	3.72	23.7	3.82	23.6	3.89	21.9	3.59	21.8	3.68
5	27.7	3.73	27.5	3.88	27.3	3.98	27.8	4.07	27.1	4.13	27.0	4.24
10	30.3	3.87	30.1	4.02	29.9	4.13	29.8	4.20	29.7	4.28	29.5	4.40
15	33.1	4.01	32.8	4.16	32.7	4.28	32.5	4.36	32.4	4.43	32.2	4.56
17	34.2	4.06	34.0	4.22	33.8	4.34	33.7	4.41	33.6	4.50	33.4	4.62
20	36.0	4.14	35.7	4.30	35.5	4.42	35.4	4.50	35.3	4.59	35.1	4.71
25	39.0	4.28	38.7	4.44	38.5	4.56	38.3	4.65	38.2	4.73	38.0	4.86
30	42.0	4.41	41.7	4.57	41.5	4.70	41.3	4.79	41.2	4.88	41.0	5.01
35	45.2	4.54	44.9	4.71	44.6	4.85	44.5	4.94	44.3	5.03	44.1	5.16
40	37.4	3.17	37.1	3.29	36.9	3.38	36.8	3.44	36.7	3.51	36.5	3.60
45	39.7	3.24	39.4	3.36	39.2	3.46	39.0	3.52	38.9	3.58	38.7	3.68
47	40.7	3.27	40.4	3.39	40.1	3.49	40.0	3.55	39.9	3.62	39.6	3.72
50	42.3	3.32	42.0	3.44	41.8	3.54	41.6	3.61	41.5	3.67	41.2	3.77
55	45.5	3.41	45.2	3.54	44.9	3.64	44.8	3.71	44.6	3.77	44.4	3.88
60	49.5	3.52	49.2	3.66	48.9	3.76	48.7	3.83	48.6	3.90	48.3	4.01
65	54.6	3.66	54.2	3.80	54.0	3.91	53.8	3.98	53.6	4.05	53.3	4.16

EXPANDED HEATING DATA – BOOST MODE OPERATION

GZV6SA3610A* + AHVE36CP1300A*

OUTDOOR AIR TEMPERATURE	INDOOR AIR TEMPERATURE, °FDB											
	61		65		68		70		72		75	
	TC	PI	TC	PI	TC	PI	TC	PI	TC	PI	TC	PI
°FDB	MBH	kW	MBH	kW	MBH	kW	MBH	kW	MBH	kW	MBH	kW
35 or lower	Same as normal heating mode											
40	35.4	3.29	35.1	3.40	34.8	3.48	34.7	3.54	34.5	3.60	34.3	3.70
45	38.0	3.37	37.6	3.48	37.4	3.57	37.2	3.63	37.0	3.70	36.8	3.79
47	39.1	3.41	38.7	3.52	38.4	3.61	38.3	3.67	38.1	3.74	37.9	3.83
50	40.8	3.47	40.5	3.58	40.2	3.67	40.0	3.74	39.8	3.80	39.6	3.90
55	44.2	3.58	43.8	3.70	43.5	3.80	43.3	3.86	43.1	3.93	42.9	4.03
60	48.3	3.72	47.9	3.85	47.6	3.95	47.4	4.01	47.1	4.08	46.8	4.19
65	53.4	3.91	52.9	4.04	52.5	4.14	52.3	4.21	52.1	4.28	51.7	4.40

GZV6SA4210A* + AHVE48DP1300A*

OUTDOOR AIR TEMPERATURE	INDOOR AIR TEMPERATURE, °FDB											
	61		65		68		70		72		75	
	TC	PI	TC	PI	TC	PI	TC	PI	TC	PI	TC	PI
°FDB	MBH	kW	MBH	kW	MBH	kW	MBH	kW	MBH	kW	MBH	kW
35 or lower	Same as normal heating mode											
40	48.6	4.69	48.2	4.87	48.0	5.01	47.8	5.10	47.6	5.19	47.4	5.33
45	52.3	4.87	51.9	5.06	51.7	5.20	51.5	5.29	51.3	5.39	51.0	5.54
47	54.0	4.96	53.6	5.14	53.3	5.29	53.1	5.38	52.9	5.48	52.6	5.63
50	56.6	5.10	56.2	5.29	55.9	5.44	55.7	5.54	55.5	5.64	55.2	5.80
55	61.6	5.40	61.2	5.60	60.9	5.76	60.6	5.86	60.4	5.97	60.1	6.13
60	67.7	5.79	67.2	6.01	66.9	6.18	66.6	6.29	62.6	5.68	58.5	5.27
65	75.2	6.31	70.1	5.73	65.5	5.27	65.2	5.36	60.7	4.85	56.7	4.50

EXPANDED HEATING DATA – NEW

GZV6SA4810A* + AHVE48DP1300A*

OUTDOOR AIR TEMPERATURE	INDOOR AIR TEMPERATURE, °FDB											
	61		65		68		70		72		75	
	TC	PI	TC	PI	TC	PI	TC	PI	TC	PI	TC	PI
°FDB	MBH	kW	MBH	kW	MBH	kW	MBH	kW	MBH	kW	MBH	kW
-10	12.2	2.17	12.2	2.25	12.7	2.43	12.7	2.48	12.0	2.39	11.4	2.33
-5	21.0	3.48	19.1	3.24	17.1	2.94	17.1	2.99	17.0	3.04	16.4	3.01
0	24.1	3.62	24.0	3.75	23.9	3.85	23.8	3.92	21.7	3.58	21.5	3.67
5	27.8	3.78	27.7	3.91	27.5	4.02	28.0	4.10	27.3	4.16	27.2	4.27
10	30.5	3.91	30.3	4.05	30.1	4.16	30.0	4.23	29.9	4.31	29.7	4.42
15	33.3	4.05	33.1	4.20	32.9	4.31	32.8	4.39	32.7	4.46	32.5	4.58
17	34.4	4.11	34.2	4.26	34.0	4.37	33.9	4.45	33.8	4.52	33.6	4.64
20	36.2	4.19	36.0	4.34	35.8	4.46	35.7	4.54	35.5	4.61	35.3	4.73
25	39.2	4.33	38.9	4.48	38.7	4.60	38.6	4.68	38.5	4.76	38.3	4.89
30	42.3	4.46	42.0	4.62	41.8	4.74	41.6	4.82	41.5	4.91	41.3	5.03
35	45.5	4.59	45.2	4.76	44.9	4.89	44.8	4.97	44.6	5.06	44.4	5.19
40	42.5	3.60	42.2	3.73	42.0	3.83	41.9	3.89	41.7	3.96	41.5	4.06
45	45.1	3.69	44.8	3.83	44.6	3.93	44.4	4.00	44.2	4.07	44.0	4.17
47	46.2	3.73	45.9	3.87	45.7	3.97	45.5	4.04	45.3	4.11	45.1	4.22
50	48.0	3.80	47.7	3.94	47.5	4.04	47.3	4.11	47.1	4.19	46.9	4.30
55	51.7	3.93	51.3	4.08	51.1	4.18	50.9	4.26	50.7	4.33	50.4	4.44
60	56.2	4.10	55.8	4.24	55.6	4.35	55.4	4.43	55.2	4.51	54.9	4.63
65	62.0	4.29	61.6	4.45	61.2	4.57	61.0	4.65	60.8	4.73	60.5	4.85

GZV6SA6010A* + AHVE60DP1300A*

OUTDOOR AIR TEMPERATURE	INDOOR AIR TEMPERATURE, °FDB											
	61		65		68		70		72		75	
	TC	PI	TC	PI	TC	PI	TC	PI	TC	PI	TC	PI
°FDB	MBH	kW	MBH	kW	MBH	kW	MBH	kW	MBH	kW	MBH	kW
-10	19.3	3.27	19.2	3.39	19.1	3.48	19.0	3.54	17.7	3.35	17.6	3.44
-5	25.6	4.05	25.4	4.20	25.2	4.32	25.1	4.40	22.2	3.82	22.0	3.92
0	29.4	4.28	29.2	4.44	29.0	4.56	28.8	4.64	28.7	4.72	28.5	4.85
5	33.4	4.45	33.1	4.61	32.9	4.74	33.0	4.84	32.6	4.91	32.4	5.04
10	36.9	4.63	36.6	4.81	36.3	4.93	36.2	5.02	36.0	5.11	35.7	5.25
15	40.7	4.83	40.3	5.01	40.1	5.14	39.9	5.24	39.7	5.33	39.4	5.47
17	42.2	4.91	41.9	5.09	41.6	5.23	41.4	5.32	41.2	5.41	40.9	5.56
20	44.5	5.02	44.2	5.21	43.9	5.35	43.7	5.45	43.5	5.54	43.2	5.69
25	48.4	5.21	48.0	5.41	47.7	5.55	47.5	5.65	47.3	5.75	46.9	5.91
30	52.1	5.40	51.7	5.60	51.4	5.75	51.1	5.85	50.9	5.96	50.5	6.11
35	55.8	5.58	55.3	5.79	55.0	5.94	54.7	6.05	54.5	6.16	54.1	6.32
40	51.0	4.30	50.6	4.46	50.2	4.58	50.0	4.66	49.8	4.75	49.4	4.87
45	54.1	4.41	53.7	4.58	53.4	4.70	53.1	4.79	52.9	4.87	52.5	5.00
47	55.6	4.46	55.1	4.63	54.7	4.75	54.5	4.84	54.3	4.93	53.9	5.06
50	57.9	4.54	57.4	4.71	57.0	4.84	56.8	4.93	56.5	5.02	56.1	5.15
55	62.5	4.70	62.0	4.88	61.6	5.01	61.3	5.10	61.0	5.19	60.6	5.32
60	68.2	4.90	67.7	5.08	67.2	5.22	66.9	5.31	66.6	5.40	66.1	5.55
65	75.4	5.14	74.8	5.33	74.3	5.47	73.9	5.57	73.6	5.67	73.1	5.82

EXPANDED HEATING DATA – BOOST MODE OPERATION

GZV6SA4810A* + AHVE48DP1300A*

OUTDOOR AIR TEMPERATURE	INDOOR AIR TEMPERATURE, °FDB											
	61		65		68		70		72		75	
	TC	PI	TC	PI	TC	PI	TC	PI	TC	PI	TC	PI
°FDB	MBH	kW	MBH	kW	MBH	kW	MBH	kW	MBH	kW	MBH	kW
35 or lower	Same as normal heating mode											
40	48.9	4.75	48.6	4.92	48.3	5.05	48.1	5.14	48.0	5.22	47.7	5.36
45	52.6	4.93	52.3	5.10	52.0	5.24	51.8	5.33	51.7	5.42	51.4	5.57
47	54.3	5.01	53.9	5.19	53.6	5.33	53.5	5.42	53.3	5.52	53.0	5.66
50	56.9	5.16	56.6	5.34	56.3	5.48	56.1	5.58	55.9	5.68	55.6	5.83
55	62.0	5.46	61.6	5.65	61.3	5.80	61.1	5.91	60.9	6.01	60.5	6.16
60	68.1	5.86	67.7	6.07	67.3	6.23	67.1	6.34	62.4	5.66	54.9	4.63
65	75.6	6.38	69.8	5.70	69.5	5.85	61.0	4.65	60.8	4.73	60.5	4.85

GZV6SA6010A* + AHVE60DP1300A*

OUTDOOR AIR TEMPERATURE	INDOOR AIR TEMPERATURE, °FDB											
	61		65		68		70		72		75	
	TC	PI	TC	PI	TC	PI	TC	PI	TC	PI	TC	PI
°FDB	MBH	kW	MBH	kW	MBH	kW	MBH	kW	MBH	kW	MBH	kW
35 or lower	Same as normal heating mode											
40	59.5	5.76	59.0	5.98	58.6	6.14	58.3	6.25	58.1	6.36	57.7	6.52
45	63.4	5.96	62.9	6.18	62.4	6.34	62.2	6.46	61.9	6.57	61.4	6.75
47	65.0	6.04	64.5	6.27	64.1	6.44	63.8	6.55	63.5	6.67	63.1	6.84
50	67.7	6.18	67.2	6.41	66.8	6.58	66.5	6.70	66.2	6.82	65.7	7.00
55	73.0	6.45	72.4	6.69	71.9	6.87	71.6	7.00	71.3	7.12	70.8	7.31
60	79.4	6.79	78.8	7.05	78.3	7.24	77.9	7.37	77.6	7.50	77.0	7.69
65	87.7	7.23	87.0	7.50	86.4	7.71	86.0	7.84	79.0	6.73	73.1	5.82

HEATING CHARGING

Follow the below steps to verify the refrigerant charge amount in heating mode:

- Select heat mode on the thermostat and set the set point temperature to the highest value.
- Allow system operation for 30 minutes.
- Compare the pressures at Vapor service valve and suction access port to the values in this section (Vapor service valve pressure tolerance is ± 20 psig & suction access port pressure tolerance ± 5 psig).

NOTE: Pressures shown in this section are for Designated Tested Combination at 100% compressor speed WITH NO FROST ON OUTDOOR COIL. Due to factors like airflow, charge, indoor coil & frost, pressures will vary significantly.

GZV6SA1810A* + AHVE24BP1300A*

INDOOR AIR FLOW RATE	INDOOR RETURN AIR DRY BULB TEMPERATURE (°F)	OUTDOOR AIR DRY BULB TEMPERATURE (°F)																																															
		17				20				25				30				35				40				45				47				50				55				60				65			
		VAP		SUCT		VAP		SUCT		VAP		SUCT		VAP		SUCT		VAP		SUCT		VAP		SUCT		VAP		SUCT		VAP		SUCT		VAP		SUCT		VAP		SUCT									
610	61	297	58	302	62	310	69	319	75	329	83	292	96	300	104	303	108	309	114	321	126	334	141	350	159																								
	65	314	58	319	62	328	69	337	76	347	83	308	96	316	105	320	108	327	115	339	127	353	141	370	159																								
	68	327	58	332	62	341	69	351	76	361	83	321	96	329	105	333	109	340	115	352	127	367	141	385	159																								
	70	336	58	341	62	350	69	360	76	371	83	329	96	338	105	342	109	349	115	362	127	377	142	395	159																								
	72	344	58	350	62	359	69	370	76	381	83	338	96	347	105	351	109	358	115	372	127	387	142	406	159																								
	75	358	58	364	62	373	69	384	76	396	83	351	96	361	105	365	109	372	115	386	127	403	142	422	160																								

Vapor service valve pressure tolerance is ± 20 psig & suction access port pressure tolerance ± 5 psig.

GZV6SA2410A* + AHVE24BP1300A*

INDOOR AIR FLOW RATE	INDOOR RETURN AIR DRY BULB TEMPERATURE (°F)	OUTDOOR AIR DRY BULB TEMPERATURE (°F)																																															
		17				20				25				30				35				40				45				47				50				55				60				65			
		VAP		SUCT		VAP		SUCT		VAP		SUCT		VAP		SUCT		VAP		SUCT		VAP		SUCT		VAP		SUCT		VAP		SUCT		VAP		SUCT		VAP		SUCT									
800	61	267	56	271	59	278	66	285	72	293	79	292	90	301	98	304	101	310	107	322	119	337	133	355	149																								
	65	282	56	287	60	294	66	301	72	310	79	309	90	318	98	321	102	328	108	340	119	356	133	375	150																								
	68	294	56	298	60	306	66	314	72	322	80	321	90	330	98	334	102	341	108	354	119	370	133	390	150																								
	70	301	56	306	60	314	66	322	73	331	80	330	91	339	99	343	102	350	108	363	120	380	134	400	151																								
	72	309	57	314	60	322	66	330	73	339	80	338	91	348	99	352	102	359	108	373	120	390	134	411	151																								
	75	321	57	326	60	334	66	343	73	352	80	352	91	361	99	366	103	373	108	388	120	405	134	427	151																								

Vapor service valve pressure tolerance is ± 20 psig & suction access port pressure tolerance ± 5 psig.

GZV6SA3010A* + AHVE36CP1300A*

INDOOR AIR FLOW RATE	INDOOR RETURN AIR DRY BULB TEMPERATURE (°F)	OUTDOOR AIR DRY BULB TEMPERATURE (°F)																																															
		17				20				25				30				35				40				45				47				50				55				60				65			
		VAP		SUCT		VAP		SUCT		VAP		SUCT		VAP		SUCT		VAP		SUCT		VAP		SUCT		VAP		SUCT		VAP		SUCT		VAP		SUCT		VAP		SUCT									
1010	61	257	56	261	60	267	66	274	73	281	80	280	85	288	93	291	96	296	101	307	112	321	126	338	143																								
	65	272	56	276	60	282	66	289	73	297	80	296	86	304	93	308	96	313	102	325	113	339	126	357	143																								
	68	283	56	287	60	294	67	301	74	309	81	309	86	317	93	320	96	326	102	338	113	353	127	372	144																								
	70	291	56	295	60	302	67	309	74	317	81	317	86	325	93	329	97	335	102	348	113	363	127	382	144																								
	72	299	56	303	60	310	67	318	74	326	81	326	86	334	94	338	97	344	102	357	113	373	127	392	145																								
	75	311	56	315	60	323	67	331	74	339	81	339	86	348	94	352	97	358	103	371	114	388	128	408	145																								

Vapor service valve pressure tolerance is ± 20 psig & suction access port pressure tolerance ± 5 psig.

GZV6SA3610A* + AHVE36CP1300A*

INDOOR AIR FLOW RATE	INDOOR RETURN AIR DRY BULB TEMPERATURE (°F)	OUTDOOR AIR DRY BULB TEMPERATURE (°F)																																															
		17				20				25				30				35				40				45				47				50				55				60				65			
		VAP		SUCT		VAP		SUCT		VAP		SUCT		VAP		SUCT		VAP		SUCT		VAP		SUCT		VAP		SUCT		VAP		SUCT		VAP		SUCT		VAP		SUCT									
1260	61	252	55	255	59	262	66	268	72	275	79	280	86	287	94	291	97	297	103	308	114	323	129	341	146																								
	65	266	56	270	59	276	66	283	72	291	79	296	87	304	94	307	98	314	103	326	115	341	129	361	147																								
	68	277	56	281	59	288	66	295	73	303	79	308	87	316	94	320	98	327	104	339	115	355	129	376	147																								
	70	285	56	289	60	296	66	303	73	311	80	316	87	325	94	329	98	335	104	348	115	365	129	386	147																								
	72	292	56	296	60	303	66	311	73	319	80	325	87	334	95	338	98	344	104	358	115	375	130	396	147																								
	75	304	56	308	60	316	66	324	73	332	80	338	87	347	95	351	98	358	104	372	115	390	130	412	147																								

Vapor service valve pressure tolerance is ± 20 psig & suction access port pressure tolerance ± 5 psig.

GZV6SA4210A* + AHVE48DP1300A*

INDOOR AIR FLOW RATE	INDOOR RETURN AIR DRY BULB TEMPERATURE (°F)	OUTDOOR AIR DRY BULB TEMPERATURE (°F)																																															
		17				20				25				30				35				40				45				47				50				55				60				65			
		VAP		SUCT		VAP		SUCT		VAP		SUCT		VAP		SUCT		VAP		SUCT		VAP		SUCT		VAP		SUCT		VAP		SUCT		VAP		SUCT		VAP		SUCT									
1320	61	288	50	294	53	304	58	313	64	322	70	296	85	303	93	307	96	312	101	323	112	338	126	356	143																								
	65	304	50	310	53	321	59	331	64	340	71	313	86	320	93	324	96	330	102	342	113	357	127	376	144																								
	68	317	50	323	54	334	59	344	65	354	71	326	86	334	93	337	97	343	102	356	113	371	127	392	144																								
	70	325	51	332	54	343	59	354	65	364	71	335	86	343	93	346	97	353	102	365	113	381	127	402	145																								
	72	334	51	341	54	352	59	363	65	374	71	344	86	352	94	356	97	362	103	375	114	392	128	413	145																								
	75	347	51	355	54	366	59	378	65	389	71	357	87	366	94	370	97	377	103	390	114	407	128	430	146																								

Vapor service valve pressure tolerance is ± 20 psig & suction access port pressure tolerance ± 5 psig.

GZV6SA4810A* + AHVE48DP1300A*

INDOOR AIR FLOW RATE	INDOOR RETURN AIR DRY BULB TEMPERATURE (°F)	OUTDOOR AIR DRY BULB TEMPERATURE (°F)																							
		17		20		25		30		35		40		45		47		50		55		60		65	
		VAP	SUCT	VAP	SUCT	VAP	SUCT	VAP	SUCT	VAP	SUCT	VAP	SUCT	VAP	SUCT	VAP	SUCT	VAP	SUCT	VAP	SUCT	VAP	SUCT	VAP	SUCT
1380	61	287	50	293	53	302	59	312	64	321	71	312	84	320	91	324	94	330	100	343	111	359	124	380	142
	65	303	51	309	54	319	59	329	65	339	71	329	84	338	92	342	95	348	100	362	111	379	125	401	142
	68	315	51	322	54	332	59	342	65	353	71	342	85	351	92	356	95	362	101	376	112	394	126	417	143
	70	323	51	330	54	341	59	352	65	362	71	352	85	361	92	365	95	372	101	386	112	405	126	428	143
	72	332	51	339	54	350	60	361	65	371	72	361	85	370	92	375	96	382	101	396	112	415	126	439	144
	75	345	51	352	54	364	60	375	66	386	72	375	85	385	93	389	96	397	102	412	113	432	127	457	144

Vapor service valve pressure tolerance is ± 20 psig & suction access port pressure tolerance ± 5 psig.

GZV6SA6010A* + AHVE60DP1300A*

INDOOR AIR FLOW RATE	INDOOR RETURN AIR DRY BULB TEMPERATURE (°F)	OUTDOOR AIR DRY BULB TEMPERATURE (°F)																							
		17		20		25		30		35		40		45		47		50		55		60		65	
		VAP	SUCT	VAP	SUCT	VAP	SUCT	VAP	SUCT	VAP	SUCT	VAP	SUCT	VAP	SUCT	VAP	SUCT	VAP	SUCT	VAP	SUCT	VAP	SUCT	VAP	SUCT
1640	61	280	50	286	53	296	59	306	64	316	71	312	84	321	91	325	95	332	101	345	112	363	126	385	144
	65	295	50	301	53	311	59	322	65	332	71	328	84	338	92	342	95	349	101	364	112	382	127	405	145
	68	306	50	312	53	323	59	334	65	345	71	341	85	351	92	355	96	363	101	378	113	397	127	421	145
	70	313	50	320	54	331	59	342	65	354	71	349	85	360	92	364	96	372	102	387	113	407	127	432	145
	72	321	51	328	54	339	59	351	65	363	71	358	85	368	93	373	96	381	102	397	113	417	128	442	146
	75	333	51	340	54	352	59	364	65	376	72	371	85	382	93	387	96	395	102	411	114	432	128	458	146

Vapor service valve pressure tolerance is ± 20 psig & suction access port pressure tolerance ± 5 psig.

SOUND DATA - SOUND POWER

NORMAL MODE - COOLING		SOUND POWER LEVEL ¹						
TONNAGE	TOTAL UNIT SOUND RATING (dBA)	OCTAVE BAND SPECTRUM FREQUENCY (Hz) ANALYSIS (dB)						
		125	250	500	1000	2000	4000	8000
1.5-ton	61	48.1	53.4	57.3	55.2	48.8	41.6	36.9
2-ton	64	48.2	58.2	61.0	56.1	49.2	43.7	39.4
2.5-ton	67	57.9	58.4	62.9	61.1	55.1	48.3	41.2
3-ton	68	56.3	60.0	64.3	61.3	56.9	53.7	45.8
3.5-ton	71	60.3	64.5	65.2	65.8	60.9	54.4	48.1
4-ton	72	64.0	65.4	66.2	65.8	61.0	56.3	49.3
5-ton	73	62.9	66.4	67.0	67.4	63.0	58.9	50.6

¹ Compliant with AHRI 270.

² Compliant with AHRI 220.

NORMAL MODE - HEATING		SOUND POWER LEVEL ¹						
TONNAGE	TOTAL UNIT SOUND RATING (dBA)	OCTAVE BAND SPECTRUM FREQUENCY (Hz) ANALYSIS (dB)						
		125	250	500	1000	2000	4000	8000
1.5-ton	61	48.6	52.4	57.5	55.2	48.9	44.9	40.6
2-ton	63	50.1	56.1	59.0	56.6	51.2	48.9	40.5
2.5-ton	70	56.6	61.8	65.8	64.9	58.7	52.4	45.0
3-ton	71	58.4	63.3	66.1	65.8	60.0	58.1	48.4
3.5-ton	72	62.0	62.6	66.2	67.4	62.8	57.4	51.6
4-ton	72	59.6	63.1	66.8	67.3	62.6	57.6	51.4
5-ton	73	61.7	65.0	67.4	67.5	63.0	57.8	52.1

¹ Compliant with AHRI 270.

² Compliant with AHRI 220.

QUIET MODE_COOLING

TONNAGE	SOUND SUPPRESSION LEVEL	SOUND POWER LEVEL (dBA)1	SOUND PRESSURE LEVEL (dBA)2	CAPACITY DECREASE
1.5-ton	LV.1	63	46	~5%
	LV.2	60	43	~20%
	LV.3	57	40	~40%
2-ton	LV.1	64	47	~5%
	LV.2	61	44	~35%
	LV.3	58	41	~45%
2.5-ton	LV.1	65	51	~5%
	LV.2	62	48	~30%
	LV.3	59	45	~45%
3-ton	LV.1	65	51	~5%
	LV.2	62	48	~35%
	LV.3	59	45	~50%
3.5-ton	LV.1	67	55	~5%
	LV.2	62	50	~45%
	LV.3	57	45	~50%
4-ton	LV.1	67	55	~5%
	LV.2	62	50	~25%
	LV.3	57	45	~45%
5-ton	LV.1	68	55	~5%
	LV.2	63	50	~45%
	LV.3	58	45	~50%

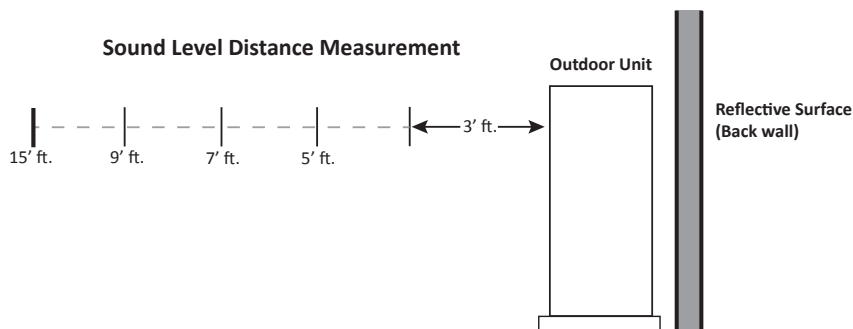
¹ Quiet Mode Sound Power and Sound Pressure levels determined at a distance of 3 [ft].

QUIET MODE_HEATING

TONNAGE	SOUND SUPPRESSION LEVEL	SOUND POWER LEVEL (dBA)1	SOUND PRESSURE LEVEL (dBA)2	CAPACITY DECREASE
1.5-ton	LV.1	65	48	~5%
	LV.2	62	45	~15%
	LV.3	59	42	~40%
2-ton	LV.1	66	49	~15%
	LV.2	63	46	~35%
	LV.3	60	43	~45%
2.5-ton	LV.1	67	53	~10%
	LV.2	64	50	~40%
	LV.3	59	45	~55%
3-ton	LV.1	67	53	~15%
	LV.2	64	50	~40%
	LV.3	59	45	~55%
3.5-ton	LV.1	67	55	~5%
	LV.2	62	50	~35%
	LV.3	57	45	~60%
4-ton	LV.1	67	55	~5%
	LV.2	62	50	~45%
	LV.3	57	45	~60%
5-ton	LV.1	68	55	~20%
	LV.2	63	50	~50%
	LV.3	58	45	~55%

¹ Quiet Mode Sound Power and Sound Pressure levels determined at a distance of 3 [ft].

SOUND DATA - SOUND PRESSURE (CONT.)



		SOUND PRESSURE (dBA) COOLING MODE ¹				
		DISTANCE FROM PROPERTY LINE				
TONNAGE	REFLECTIVE SURFACE QTY.	3'	5'	7'	9'	15'
1.5 Ton	0	54	49	46	44	40
	1	57	52	49	47	43
	2	60	55	52	50	46
2.0 Ton	0	57	52	49	47	43
	1	60	55	52	50	46
	2	63	58	55	53	49
2.5 Ton	0	60	55	52	50	46
	1	63	58	55	53	49
	2	66	61	58	56	52
3.0 Ton	0	61	56	53	51	47
	1	64	59	56	54	50
	2	67	62	59	57	53
3.5 Ton	0	64	59	56	54	50
	1	67	62	59	57	53
	2	70	65	62	60	56
4.0 Ton	0	65	60	57	55	51
	1	68	63	60	58	54
	2	71	66	63	61	57
5.0 Ton	0	66	61	58	56	52
	1	69	64	61	59	55
	2	72	67	64	62	58

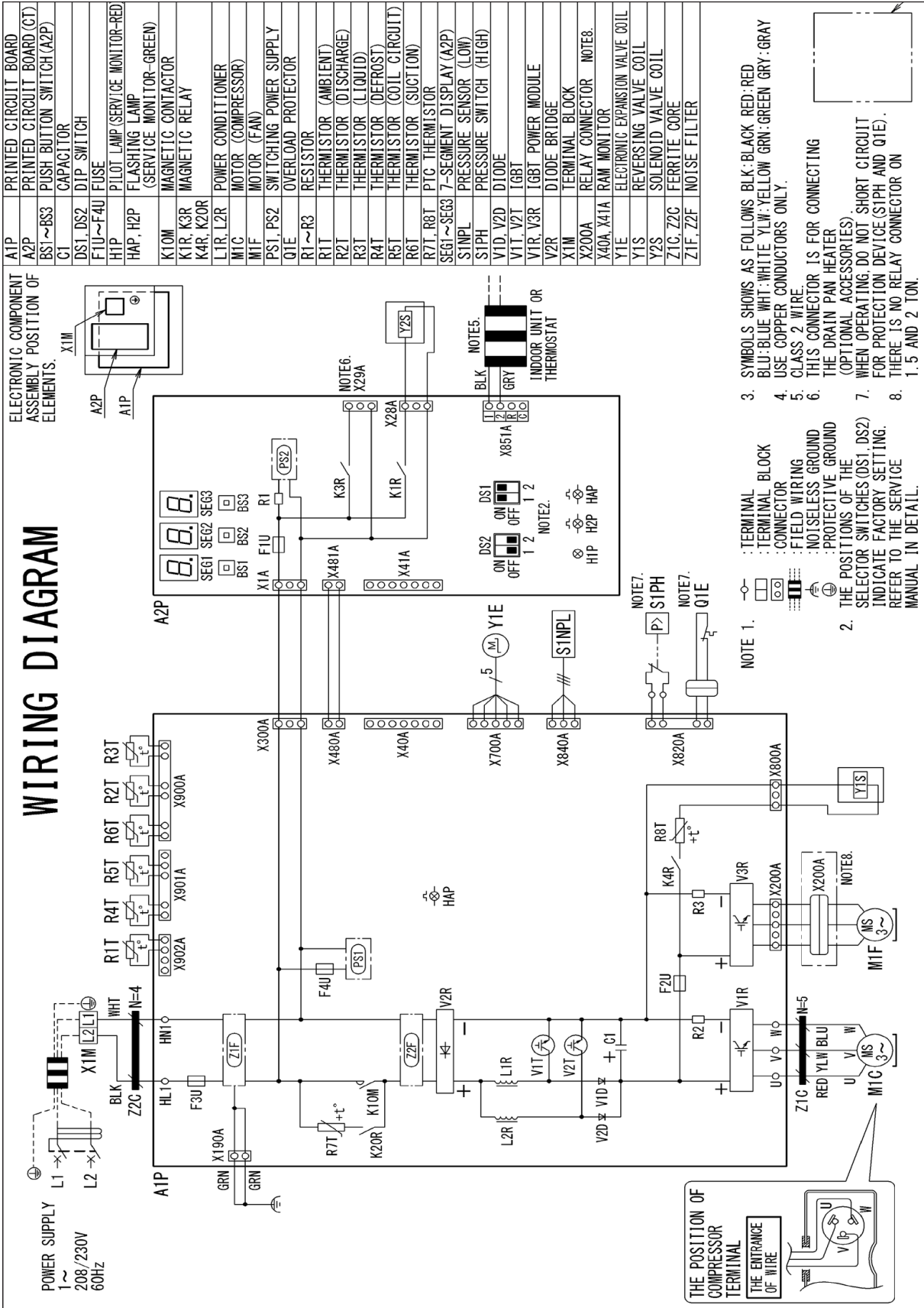
¹ Compliant with AHRI 275 utilizing standard mode, total sound levels

		SOUND PRESSURE (dBA) HEATING MODE ¹				
		DISTANCE FROM PROPERTY LINE				
TONNAGE	REFLECTIVE SURFACE QTY.	3'	5'	7'	9'	15'
1.5 Ton	0	54	49	46	44	40
	1	57	52	49	47	43
	2	60	55	52	50	46
2.0 Ton	0	56	51	48	46	42
	1	59	54	51	49	45
	2	62	57	54	52	48
2.5 Ton	0	63	58	55	53	49
	1	66	61	58	56	52
	2	69	64	61	59	55
3.0 Ton	0	64	59	56	54	50
	1	67	62	59	57	53
	2	70	65	62	60	56
3.5 Ton	0	65	60	57	55	51
	1	68	63	60	58	54
	2	71	66	63	61	57
4.0 Ton	0	65	60	57	55	51
	1	68	63	60	58	54
	2	71	66	63	61	57
5.0 Ton	0	66	61	58	56	52
	1	69	64	61	59	55
	2	72	67	64	62	58

¹ Compliant with AHRI 275 utilizing standard mode, total sound levels

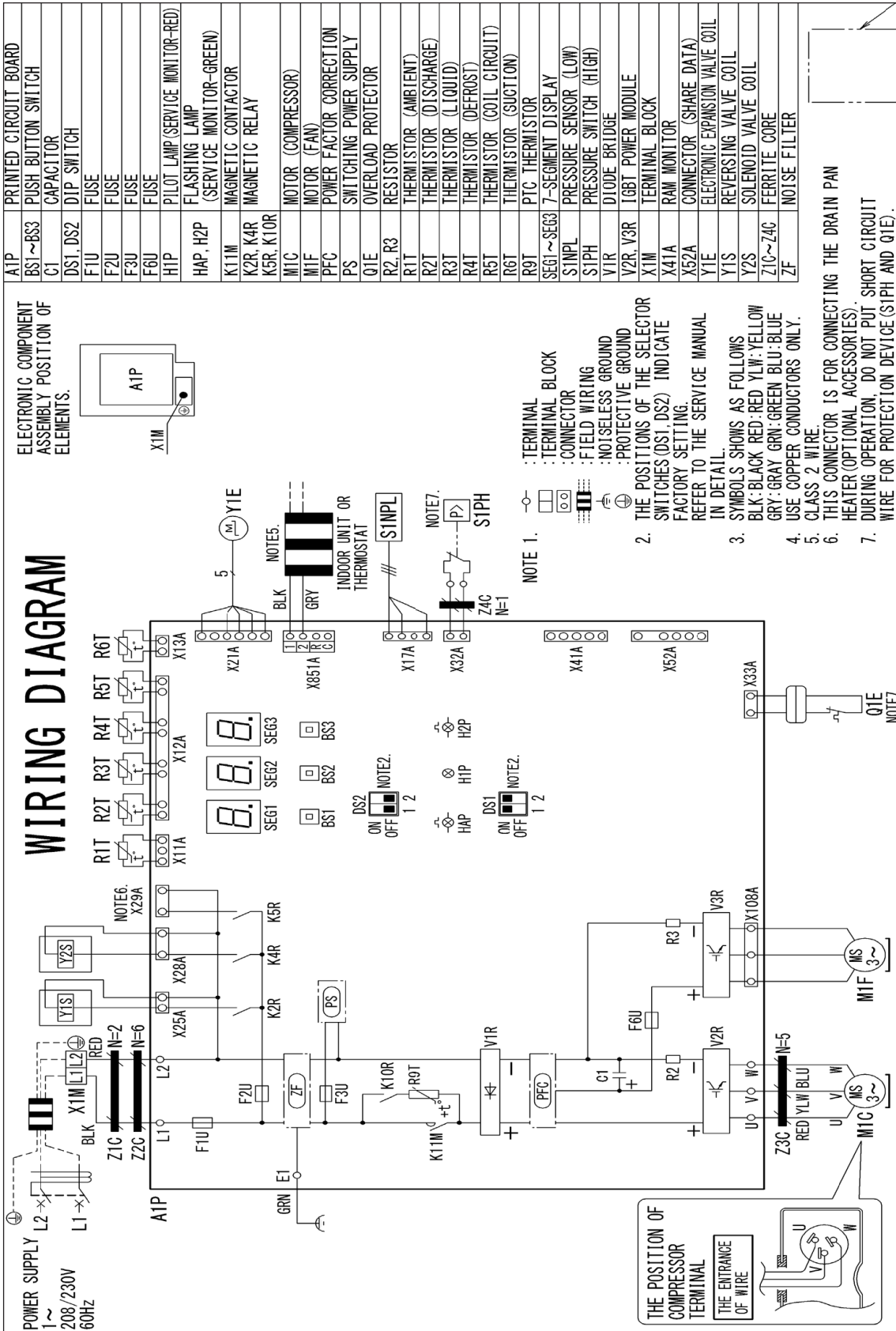
All AHRI system ratings are accessible in the System Configurator tool via PartnerLink.

WIRING DIAGRAM



Wiring is subject to change. Always refer to the wiring diagram or the unit for the most up-to-date wiring.

WARNING



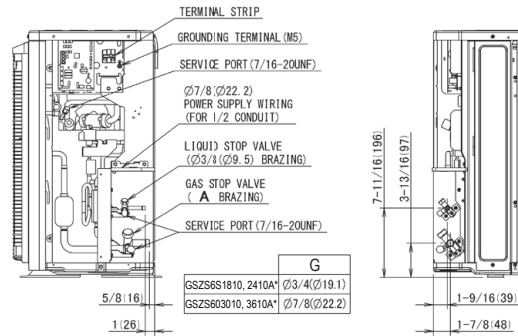
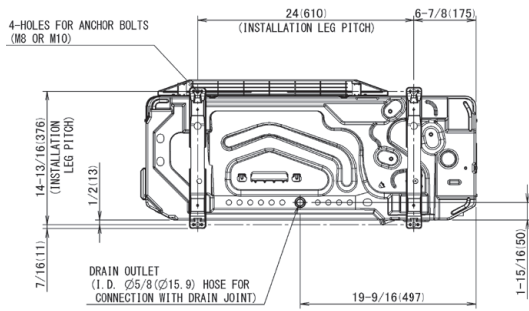
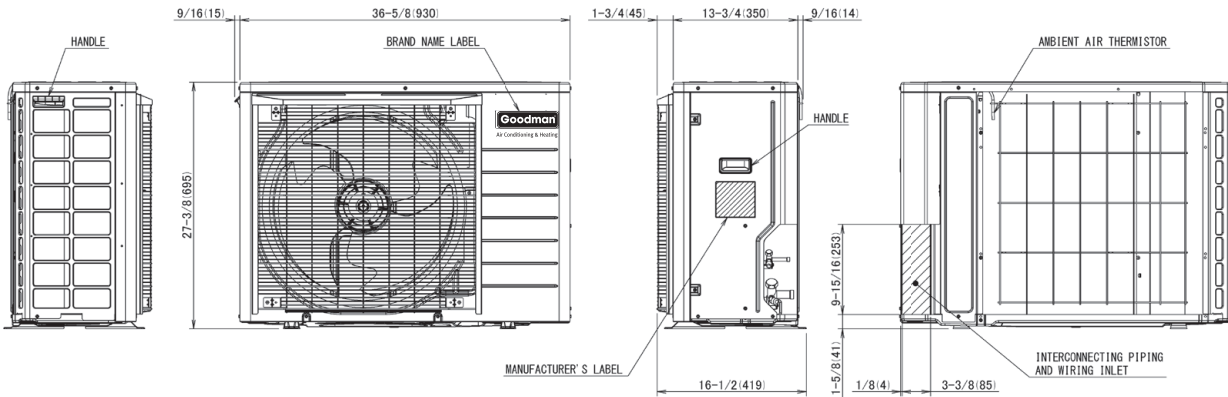
Wiring is subject to change. Always refer to the wiring diagram or the unit for the most up-to-date wiring.

WARNING

High Voltage: Disconnect all power before servicing or installing this unit. Multiple power sources may be present. Failure to do so may cause property damage, personal injury, or death.

DIMENSIONS

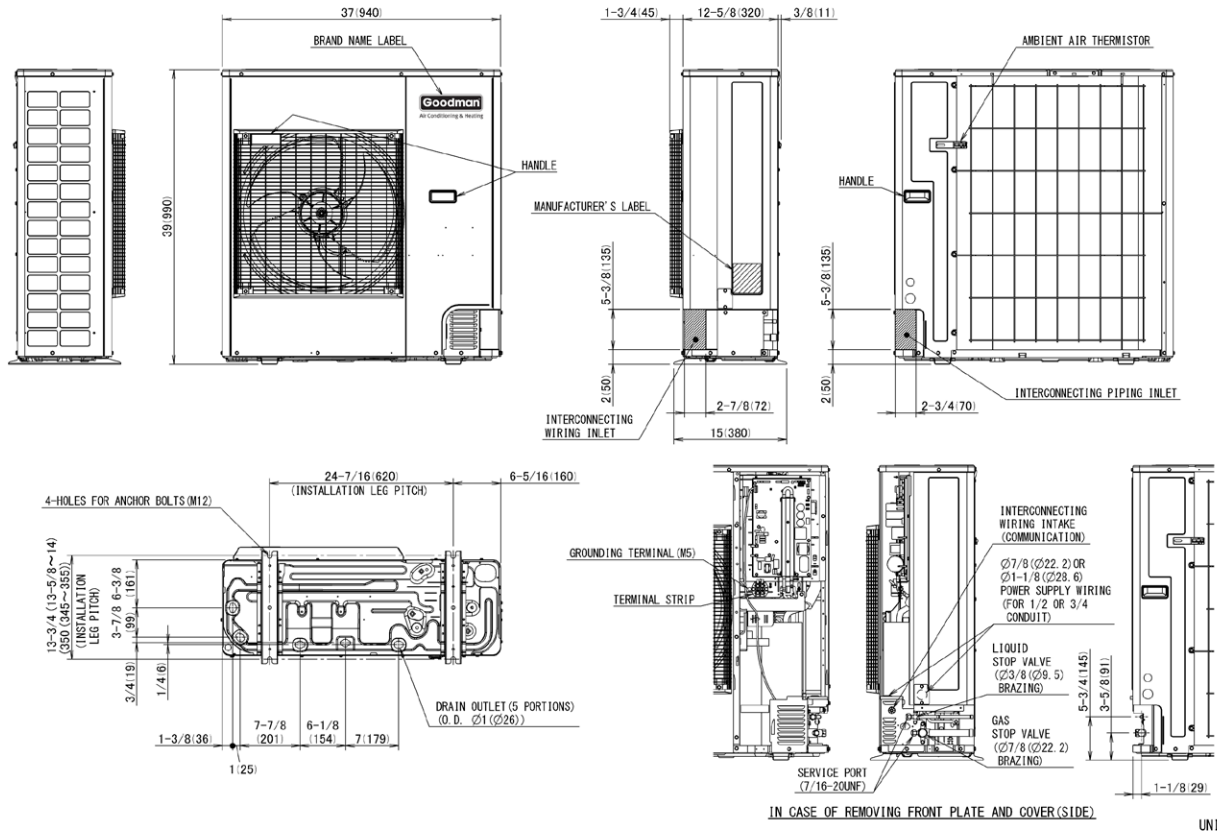
MODEL	DIMENSIONS		
	W"	D"	H"
GZV6SA1810A*	36 $\frac{5}{8}$	13 $\frac{3}{4}$	27 $\frac{3}{8}$
GZV6SA2410A*	36 $\frac{5}{8}$	13 $\frac{3}{4}$	27 $\frac{3}{8}$
GZV6SA3010A*	36 $\frac{5}{8}$	13 $\frac{3}{4}$	27 $\frac{3}{8}$
GZV6SA3610A*	36 $\frac{5}{8}$	13 $\frac{3}{4}$	27 $\frac{3}{8}$



IN CASE OF REMOVING RIGHT SIDE PLATE

UNIT: inch (mm)

MODEL	DIMENSIONS		
	W"	D"	H"
GZV6SA4210A*	37	12 $\frac{5}{8}$	39
GZV6SA4810A*	37	12 $\frac{5}{8}$	39
GZV6SA6010A*	37	12 $\frac{5}{8}$	39



ACCESSORIES

MODEL	DESCRIPTION	GZV6SA 1810A*	GZV6S A2410A*	GZV6SA 3010A*	GZV6SA 3610A*	GZV6SA 4210A*	GZV6SA 4810A*	GZV6SA 6010A*
KPW5G112	Wind Baffle	X	X	X	X	X	X	X
KPS00501 ¹	Snow Guard Front	X	X	X	X			
KPS00502 ¹	Snow Guard Rear	X	X	X	X			
KPS00503 ¹	Snow Guard Side	X	X	X	X			
KPS00504 ¹	Snow Guards - Complete Set	X	X	X	X			
KPS00601 ¹	Snow Guard Front					X	X	X
KPS00602 ¹	Snow Guard Rear					X	X	X
KPS00603 ¹	Snow Guard Side					X	X	X
KPS00604 ¹	Snow Guards - Complete Set					X	X	X
130-DK-006	Hail Guard	X	X	X	X			
130-DK-008	Hail Guard					X	X	X
KEH3P573598	Drain Pan Heater	X	X	X	X			
KEH3P573567	Drain Pan Heater					X	X	X
DACA-WB-3	Powder Coated Wall-Mounted Bracket	X	X	X	X	X	X	X
DSEN-HAQA	Daikin One Home Air Monitor	X	X	X	X	X	X	X
DQ-P-16-100	Daikin One Powered Ventilator	X	X	X	X	X	X	X
DTA119A73	D24V Gateway	X	X	X	X	X	X	

¹ Product is manufactured at time of order. Lead time will be associated with purchase.

